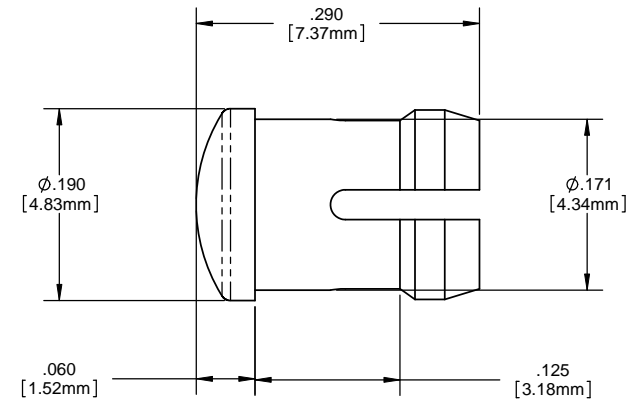
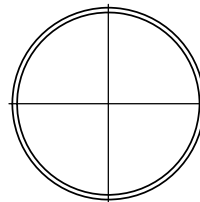
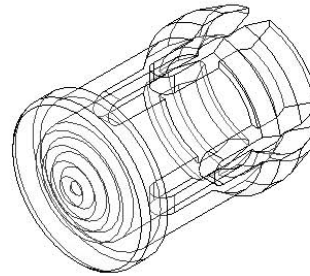


8 7 6 5 4 3 2 1

**NOTES:**

- MOUNTING:** Mounts in a  $\phi .171 \pm .002$  [ $\phi 4.34\text{mm} \pm .05$ ] panel hole on .250 [6.35mm] centers. Panel thickness .063 [1.6mm] to .125 [3.17mm]. Panel hole should be deburred, but not chamfered.
- ASSEMBLY:** Insert lens through panel hole, and insert LED into lens.
- MATERIAL:** Polycarbonate, UL 94-V2  
GLO Series- Polycarbonate & Acrylic blend
- U.S. & Foreign Pat. Issued & Pend.

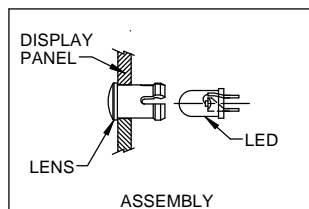
REVISIONS				
ECN#	REV.	DESCRIPTION	DATE	INITIALS
	1	ADD GLO SERIES	12-30-08	JG
	001	REVISED PER ECR111009AZ01	4-23-10	SMU



ORDERING CODE : **SMB 200 XXX**

MODEL

LENS COLOR	
RTP	RED TRANSPARENT
ATP	AMBER TRANSPARENT
GTP	GREEN TRANSPARENT
BTP	BLUE TRANSPARENT
YTP	YELLOW TRANSPARENT
CTP	CLEAR TRANSPARENT
GLO	WHITE TRANSLUCENT



<small>UNLESS OTHERWISE SPECIFIED DIMENSIONS ARE IN INCHES</small> ANGLES DECIMALS $\pm 1^\circ$ .X $\pm .020$ .XX $\pm .010$ .XXX $\pm .005$ <small>BREAK ALL CORNERS AND SHARP EDGES (R1/16)</small>	<b>MATERIAL</b> POLYCARBONATE, UL 94-V2	<b>VISUAL COMMUNICATIONS COMPANY, INC.</b> <small>190 Bossick Boulevard, Suite 101 San Marcos, CA 92069 USA          Phone (760) 560-1300 Fax (760) 560-1301 email vccsales@vccite.com</small>	
	<b>FINISH</b> SEE NOTES	<b>TITLE: 3MM ROUND LOW PROFILE FRESNEL LENS</b>	
<small>THIRD ANGLE PROJECTION</small> 	<small>APPROVAL</small> DRAWN: SMU 4-23-10 CHECKED: DZ 4-23-10 DO NOT SCALE DRAWING	<small>DATE</small> DATE: 4-23-10	<small>SIZE</small> <b>B</b>
<small>PROPERTY AND CONFIDENTIAL INFORMATION CONTAINED HEREIN IS THE PROPERTY OF VISUAL COMMUNICATIONS COMPANY, INC. REPRODUCTION IN PART OR AS A WHOLE WITHOUT THE WRITTEN CONSENT OF VISUAL COMMUNICATIONS COMPANY, INC. IS PROHIBITED.</small>		<small>SCALE: 12:1</small>	<small>REV</small> <b>001</b> <small>SHEET 1 OF 1</small>

8 7 6 5 4 3 2 1

# Mouser Electronics

Authorized Distributor

Click to View Pricing, Inventory, Delivery & Lifecycle Information:

VCC:

[SMB\\_200\\_ATP](#) [SMB\\_200\\_BTP](#) [SMB\\_200\\_CTP](#) [SMB\\_200\\_GLO](#) [SMB\\_200\\_GTP](#) [SMB\\_200\\_RTP](#) [SMB\\_200\\_YTP](#)