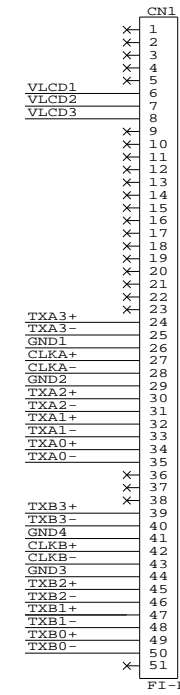
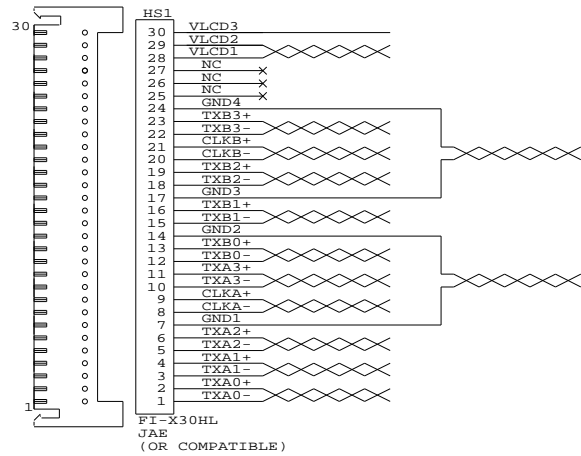
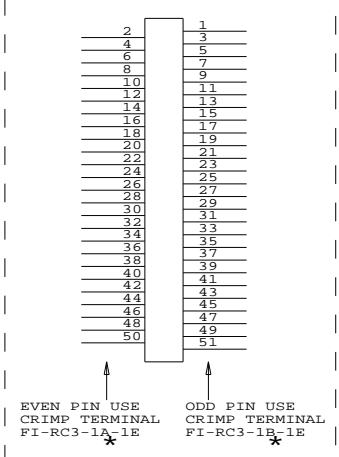


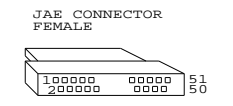
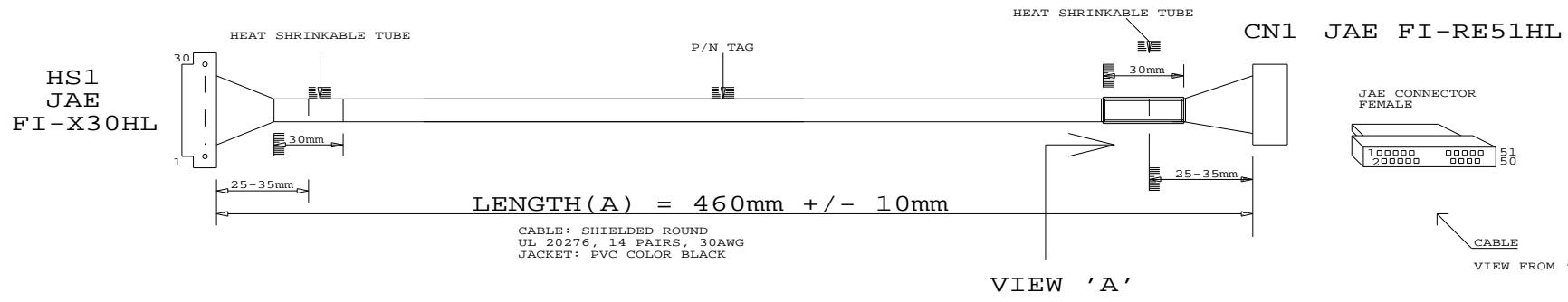
CONNECTION DIAGRAM:



IMPORTANT NOTE:



CONTROLLER SIDE



CABLE VIEW FROM 'A'

P/N 427491690-3
 LVDS PANEL CABLE: SHARP LQ170E1LG11, 460mm

RoHS COMPLIANCE

IPC/WHWA-A-620A (CLASS 2)

DIGITAL VIEW LTD. COPYRIGHT 2013, ALL RIGHTS RESERVED CONFIDENTIAL		
DRAWN BY: VICTOR NG		
Title LVDS CBL: SHARP LQ170E1LG11, 460mm		
Size	Document Number	REV
B	(...\DV\DV_CABLE\C7491690.SCH)	00
Date:	August 1, 2013	Sheet 1 of 1

Mouser Electronics

Authorized Distributor

Click to View Pricing, Inventory, Delivery & Lifecycle Information:

[Digital View:](#)

[427491690-3](#)