




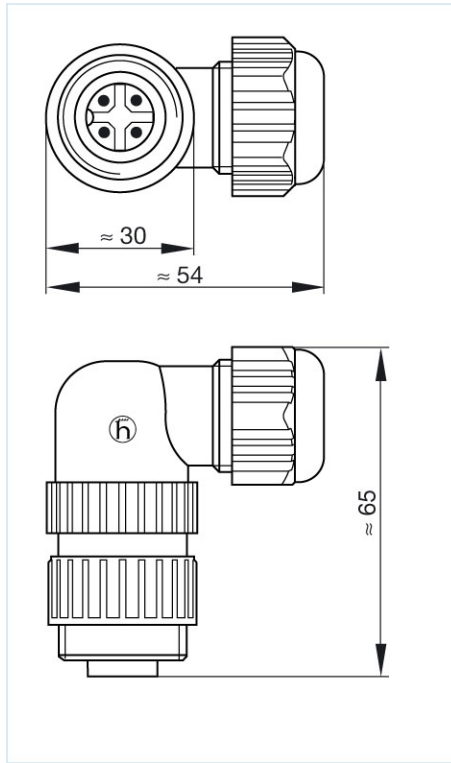
Product information CA 3 W LS

Industrial Connecting Solutions: Circular Connectors: MIL, DIN, Universal Connectors: Signal and Power (CA series): Cable plug and panel-mounted connector: CA 3 W LS

<https://e-catalog.beldensolutions.com:443/link/57078-24228-256281-256284-24359-24361-36078/en/conf/ui/istate>

| | |
|------------------------------------------|-----------------------------------------------------------------------------------|
| Name | CA 3 W LS |
| |  |
| | Angled cable plug, integrated strain relief |
| Delivery informations | |
| Availability | available |
| Product description | |
| Description | Angled cable plug, integrated strain relief |
| Type | CA 3 W LS |
| Order No. | 934 128-100 |
| Number of contacts | 3 + PE |
| Cable gland | M 22x2 |
| Cable diameter | 6 mm to 12 mm |
| Conductor size | max. 2.5 mm ² |
| Housing Color | black |
| Technical data | |
| Pin dimensions | 2 mm |
| Rated voltage | AC 400 V / DC 250 V |
| Rated current | DC 10 A / AC 16 A |
| Contact resistance | <= 3 mOhm |
| Type of termination | screw |
| Material | |
| Contact surface material | Ag |
| Contact bearer material | PA 66-GF 25 |
| Housing material | PA 66-GF 25 |
| O-Ring | NBR |
| Environmental conditions | |
| Protection class (IEC 60529) | IP 67 |
| Pollution severity | 3 |
| Temperature range | -40 °C to +90 °C |
| Inflammability class | |
| Flammability, UL standard | 94 V-0 |
| Approvals | |
| UL | UL |
| VDE | VDE |
| Packaging unit | |
| Packaging unit | 100 pieces |
| Scope of delivery and accessories | |
| Scope of delivery | 1 cable plug, not assembled, assembly instructions |
| Accessories to order separately | can be plugged into CA 3 LD, CA 3 GD; cap CA 00 SD 1, order no. 831 530-400 |

Picture
Drawing



Belden Deutschland GmbH
Im Gewerbepark 2
58579 Schalksmühle
Germany
Phone: +49 7127/14-1806
E-Mail: icos-sales@belden.com

The information published in the websites has been compiled as carefully as possible. It is subject to alteration without notice in technical as well as in price-related/commercial respect. The complete information and data were available on user documentation. Mandatory information can only be obtained by a concrete query.

Mouser Electronics

Authorized Distributor

Click to View Pricing, Inventory, Delivery & Lifecycle Information:

[Lumberg Automation:](#)

[CA 3 W LS](#)