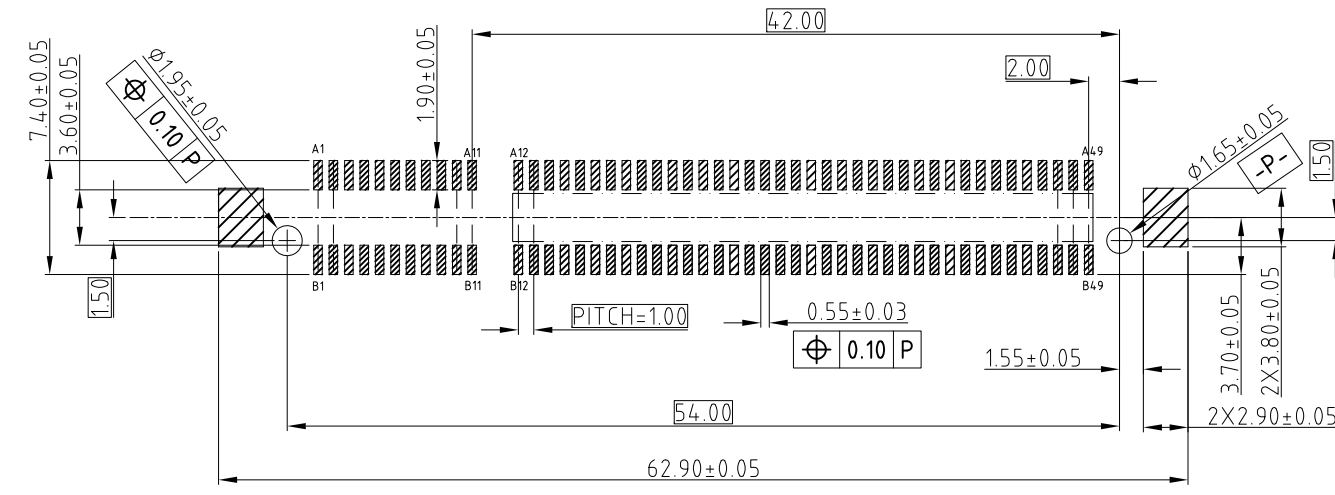
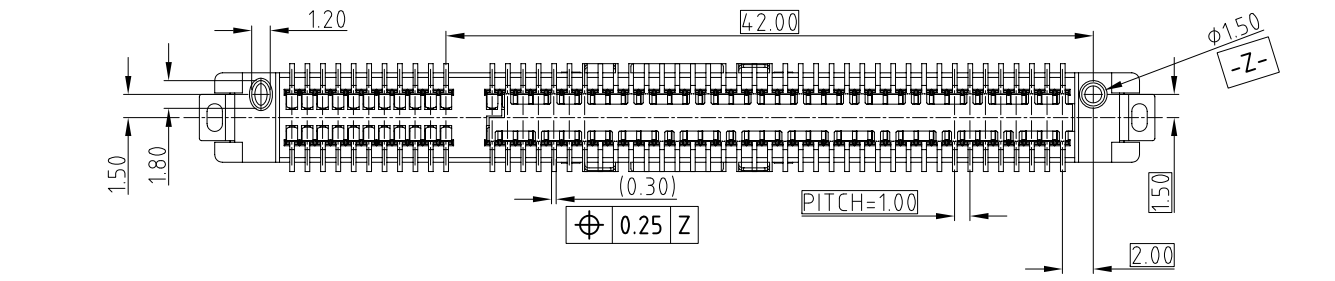
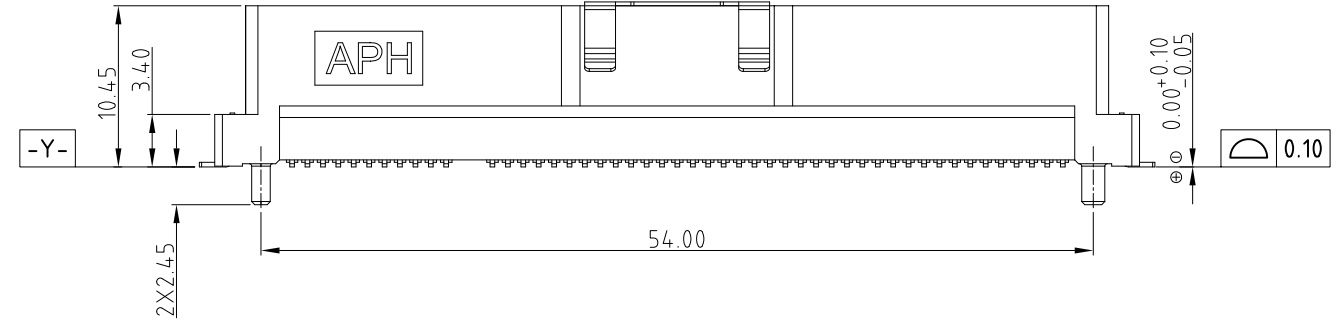
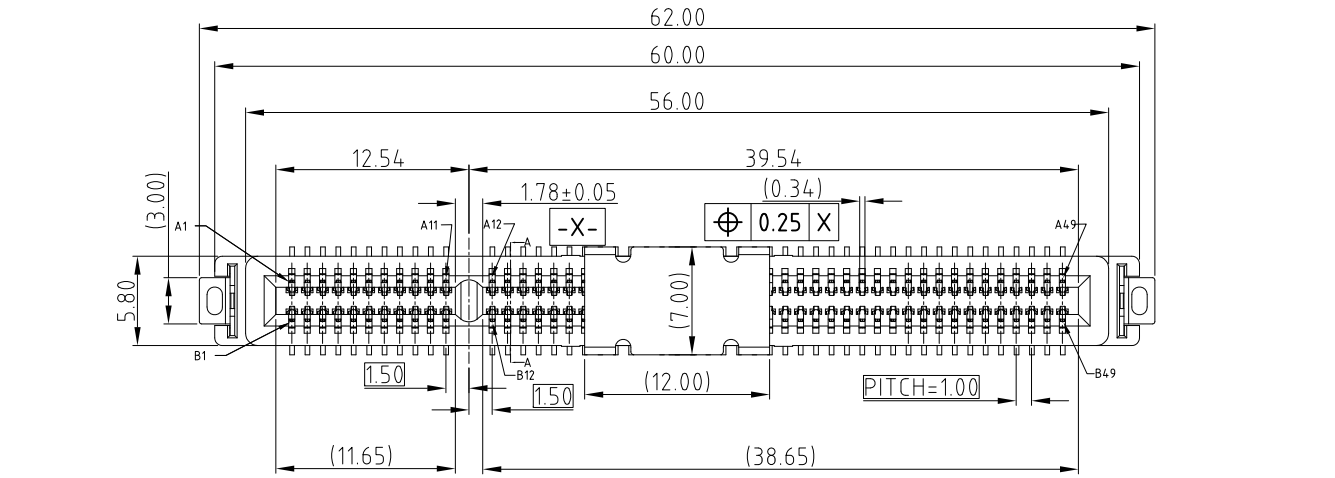


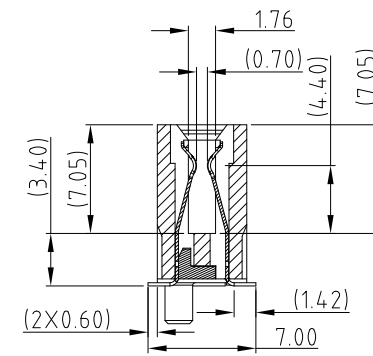
This document is the property of Amphenol Corporation and is delivered on the express condition that it is not to be disclosed, reproduced or used, in whole or in part, for manufacture or sale by anyone other than Amphenol Corporation without its prior consent, & that no right is granted to disclose or to use any information in this document.

CUSTOMER DRAWING

REVISIONS				
SYM	ECN	DESCRIPTION	DATE	APPROVED
1	CDXXXX	First Release	Dec.23,2019	YH
2	CDXXXX	Added cap information	Feb.20,2020	YH
3	CDXXXX	Added Packing information	Feb.26,2020	YH



RECOMMENDED PCB LAYOUT
GENERAL TOLERANCE ±0.05



SECTION: A-A

PART NUMBER SYSTEM

CEE0098X014XXX X

- PLATING SPEC
 - 1 0.76um Au
 - 2 0.38um Au
 - 3 GOLD FLASH
- Speed
 - 0 32Gbps
 - 1 16Gbps
- Solder tail
 - 1 STD tail and soft tray
 - 2 STD tail and hard tray
 - 3 Short tail and hard tray
- Packing type
 - 0 tray 1
 - 1 tray 2
- CAP & MYLAR
 - 0 CAP
 - 1 MYLAR
- PIN COUNT
98

NOTE:

- MATERIAL:
HOUSING: HIGH TEMPERATURE THERMOPLASTIC BLACK UL94-V0
CONTACT: COPPER ALLOY
BOARDLOCK: SPCC
- PLATING:
CONTACT: MATING AREA: SEE PLATING SEPC OVER 1.27-2.54 UM NICKEL UNDERPLATED
SOLDER AREA: 1.27 MIN TIN OVER 1.27-2.54 UM NICKEL UNDERPLATED
BOARDLOCK: 1.27 MIN TIN OVER 1.27-2.54UM NICKEL UNDERPLATED
- ELECTRICAL PERFORMANCE:
RATED CURRENT FOR SIGNAL PIN: 0.7A/PIN;
RATED CURRENT FOR Power Pin:1.1A/pin(total:8pin Include:A2/A3/A9/A10/B1/B2/B3/B8).
- MATERIAL SHOULD BE FULFILLED AMPHENOL SPEC # SSN002
- ORDERING PN: REFER TO THE PN SYSTEM
- 25~32Gbps: THE ECB CONNECTS ALL GND PIN.
16Gbps max: DO NOT HAVE TO CONNECTS ALL GND PIN
- MOISTURE SENSITIVITY LEVEL:1.

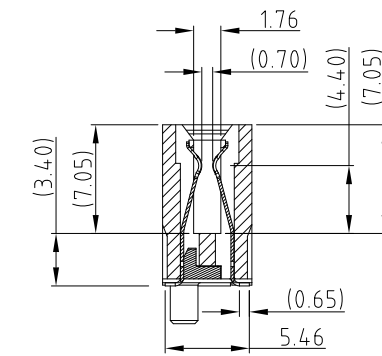
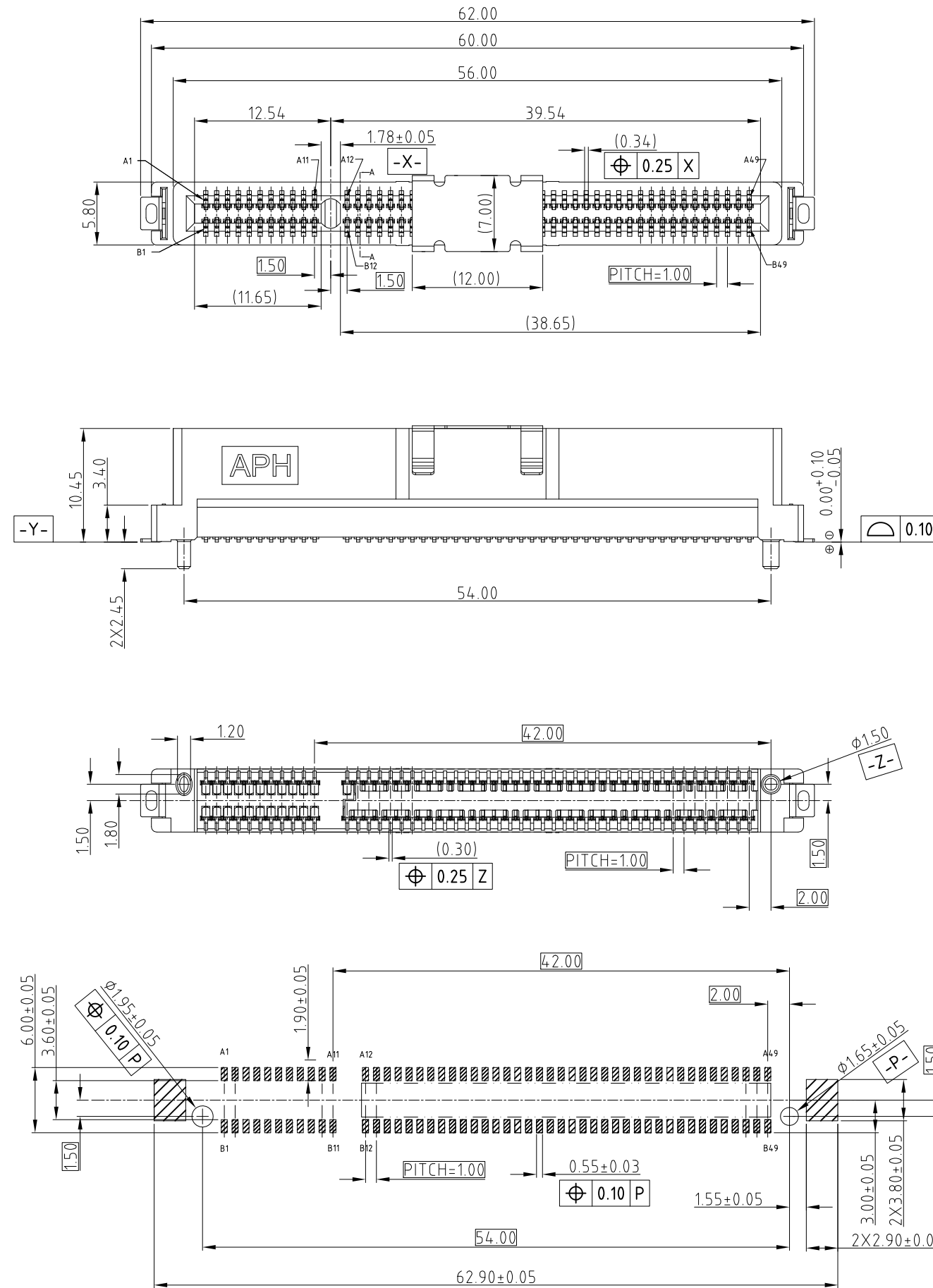


UNLESS OTHERWISE SPECIFIED TOLERANCES		APPROVAL	DATE	Amphenol		
U.S. METRIC		DRAWN	xg.liu			Feb.26,2020
.X	+/-	CHECKED				
.XX	+/-	APPROVED				
.XXX	+/-					
FRACTIONS	+/-					
ANGLES	+/-					
FOR MATERIALS AND FINISHES SEE NOTES		DRAWING FILE :		TITLE		
REMOVE SHARP EDGES		INTERNAL\DRAWING\CE\ C CEE0098X014XXXX		Cool Edge 32&16Gbps 1.0mm pitch connector STD		
DIMENSIONS		ANGLE OF PROJECTION		SIZE	DRAWING NO.	
-U.S.-	INCHES			A3	C CEE0098X014XXXX	
(METRIC)	(mm)			SCALE	NONE	SHEET 1 OF 5
				REV.	3	

This document is the property of Amphenol Corporation and is delivered on the express condition that it is not to be disclosed, reproduced or used, in whole or in part, for manufacture or sale by anyone other than Amphenol Corporation without its prior consent, & that no right is granted to disclose or to use any information in this document.

CUSTOMER DRAWING

REVISIONS				
SYM	ECN	DESCRIPTION	DATE	APPROVED



RECOMMENDED PCB LAYOUT
GENERAL TOLERANCE ±0.05

UNLESS OTHERWISE SPECIFIED TOLERANCES	
U.S.	METRIC
.X +/-	0.25
.XX +/-	0.20
.XXX +/-	0.15
FRACTIONS +/-	5°
ANGLES +/-	

APPROVAL		DATE
DRAWN	xg.liu	Feb.26,2020
CHECKED		
APPROVED		
DRAWING FILE :		
INTERNAL\DRAWING\CE\ C CEE0098X014XXXX		
ANGLE OF PROJECTION		
DIMENSIONS		
—U.S.—	INCHES	
(METRIC)	(mm)	

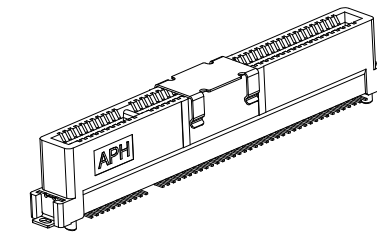
Amphenol		
TITLE		
Cool Edge32&16Gbps Short tail 1.0mm pitch connector		
SIZE	DRAWING NO.	REV.
A3	C CEE0098X014XXXX	3
SCALE	NONE	SHEET 2 OF 5

This document is the property of Amphenol Corporation and is delivered on the express condition that it is not to be disclosed, reproduced or used, in whole or in part, for manufacture or sale by anyone other than Amphenol Corporation without its prior consent, & that no right is granted to disclose or to use any information in this document.

CUSTOMER DRAWING

REVISIONS				
SYM	ECN	DESCRIPTION	DATE	APPROVED

NOTE 2						
PN	CAP	MYLAR	TRAY TYPE	PACKING SIZE(L×W)	TAIL TYPE	SPEED
CEE009800140101	Y	N	SOFT TRAY	355×265mm	STD TAIL	32Gbps
CEE009800140111	Y	N	SOFT TRAY	355×265mm	STD TAIL	16Gbps
CEE009800140201	Y	N	HARD TRAY	320×220mm	STD TAIL	32Gbps
CEE009800140211	Y	N	HARD TRAY	320×220mm	STD TAIL	16Gbps
CEE009800140301	Y	N	HARD TRAY	320×220mm	SHORT TAIL	32Gbps
CEE009800140311	Y	N	HARD TRAY	320×220mm	SHORT TAIL	16Gbps



PN: CEE0098X014XXXX

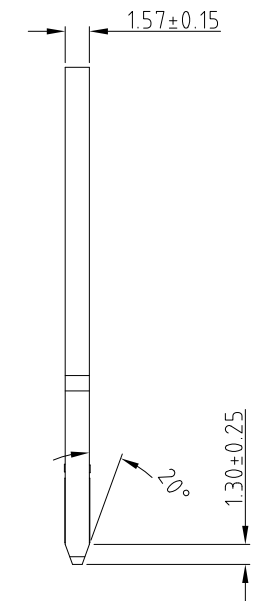
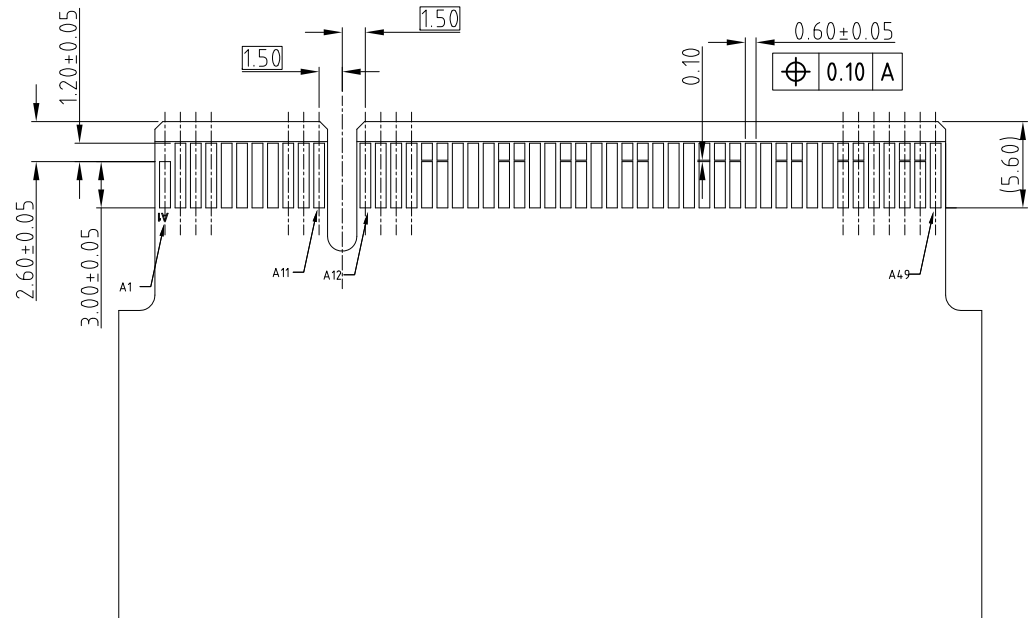
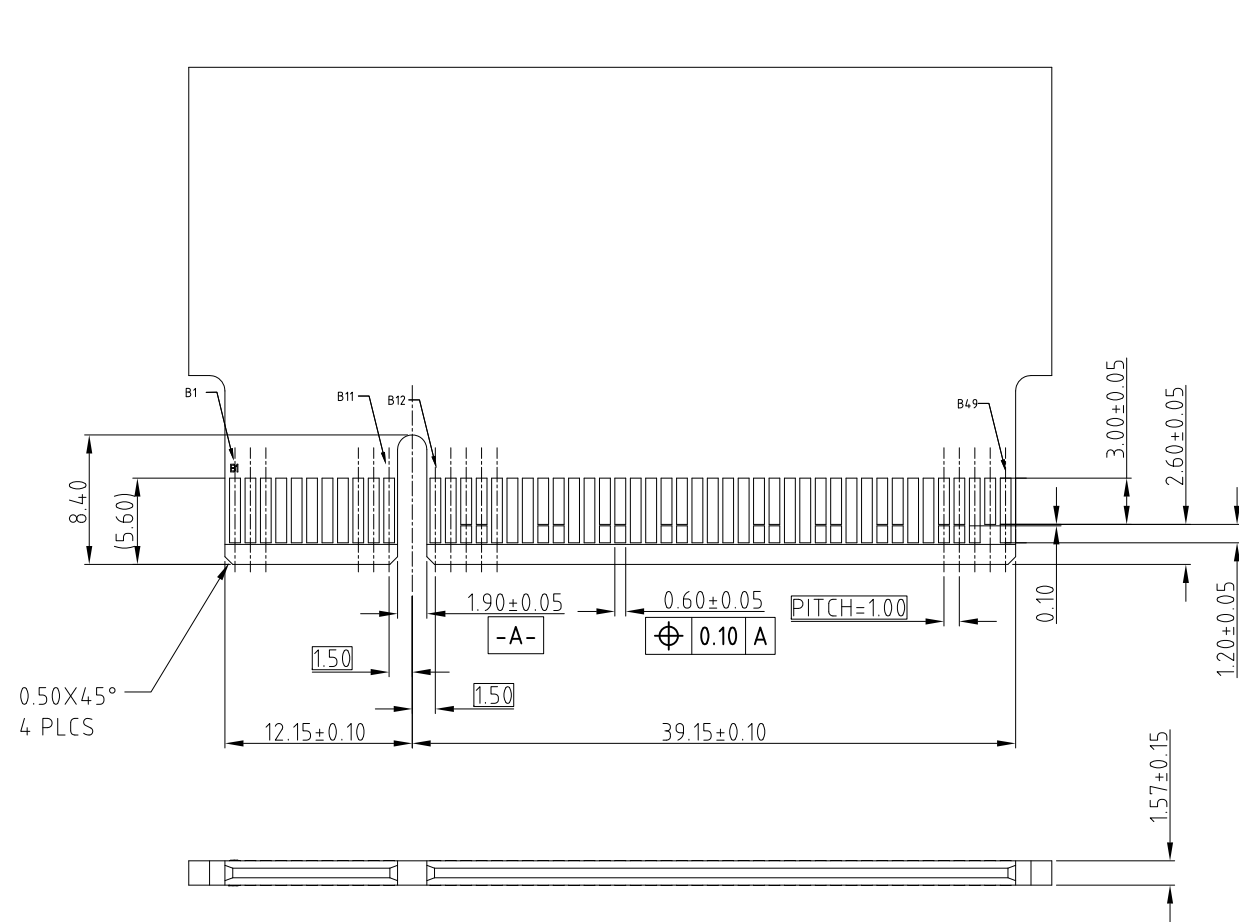


UNLESS OTHERWISE SPECIFIED TOLERANCES		APPROVAL		DATE		Amphenol		
U.S. METRIC		DRAWN	yg.liu	Feb.26,2020				
.X +/-	0.10	CHECKED		APPROVED				
.XX +/-	0.05	DRAWING FILE :				TITLE		
.XXX +/-	0.03	INTERNAL\DRAWING\CE\ C CEE0098X014XXXX				Cool Edge 32&16Gbps		
FRACTIONS +/-	5°	ANGLE OF PROJECTION				1.0mm pitch connector		
ANGLES +/-						SIZE	DRAWING NO.	REV.
FOR MATERIALS AND FINISHES SEE NOTES						A3	C CEE0098X014XXXX	3
REMOVE SHARP EDGES		SCALE		NONE		SHEET 3 OF 5		
DIMENSIONS								
—U.S.—	INCHES							
(METRIC)	(mm)							

This document is the property of Amphenol Corporation and is delivered on the express condition that it is not to be disclosed, reproduced or used, in whole or in part, for manufacture or sale by anyone other than Amphenol Corporation without its prior consent, & that no right is granted to disclose or to use any information in this document.

CUSTOMER DRAWING

REVISIONS				
SYM	ECN	DESCRIPTION	DATE	APPROVED



SIDE	GND PIN
SIDE A	A12,A15,A18,A20,A23,A24,A27,A28,A31,A34,A37,A38,A41,A42,A45,A46,A49
SIDE B	B13,B16,B18,B21,B22,B25,B26,B29,B32,B35,B36,B39,B40,B43,B44,B47,B49

GND PIN Definition

RECOMMENDED LAY OUT FOR MATING CARD, THICKNESS=1.57mm
GENERAL TOLERANCE ±0.05



UNLESS OTHERWISE SPECIFIED TOLERANCES	
U.S.	METRIC
.X +/-	0.10
.XX +/-	0.05
.XXX +/-	0.03
FRACTIONS +/-	5°
ANGLES +/-	5°

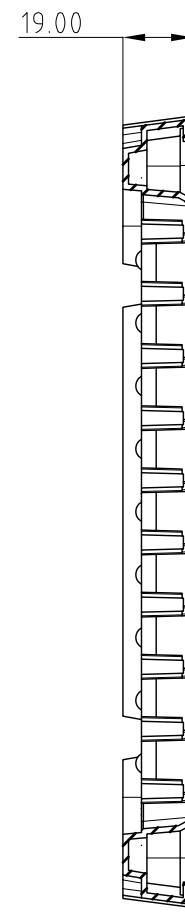
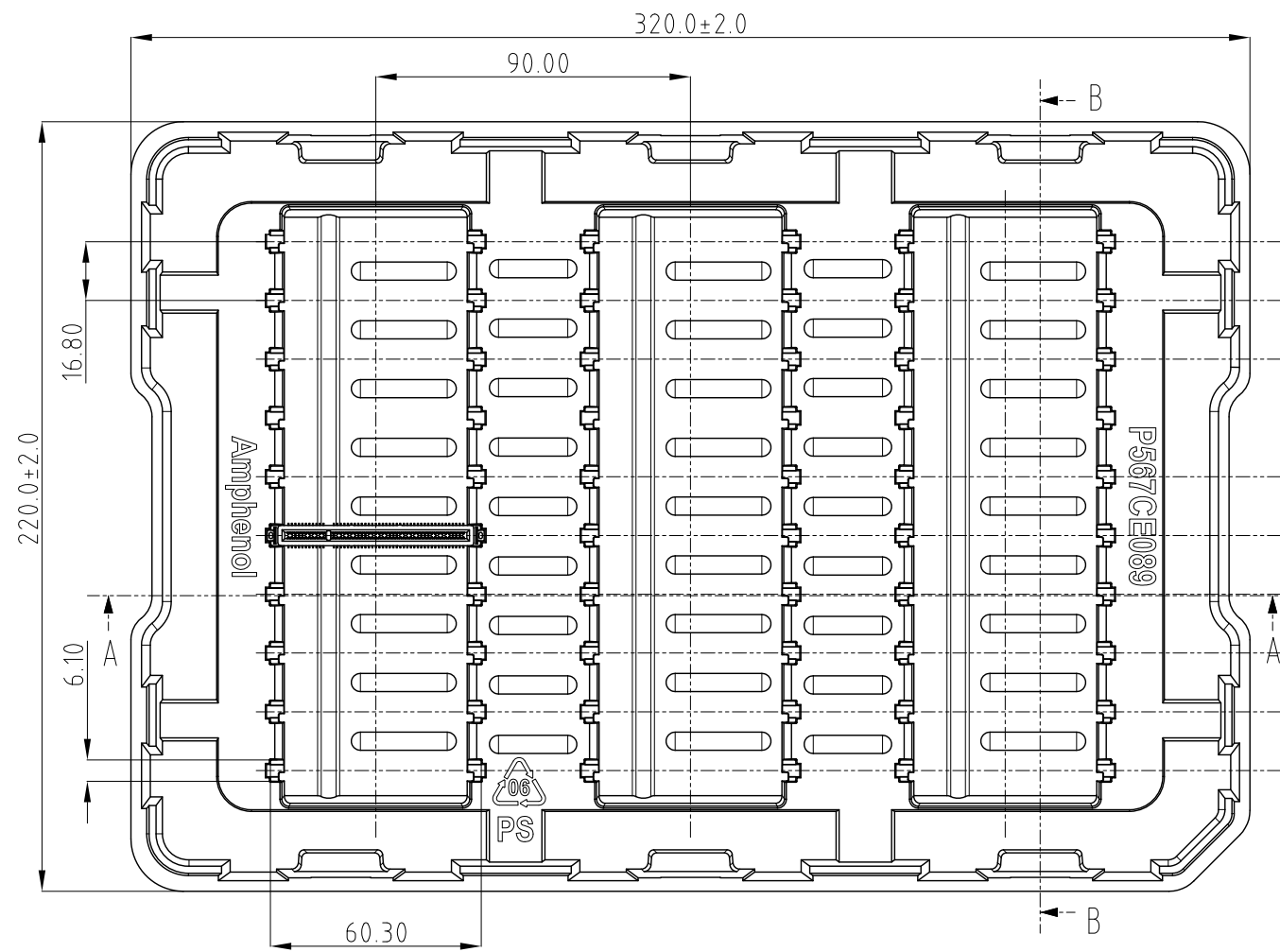
APPROVAL		DATE
DRAWN	xg.liu	Feb.26,2020
CHECKED		
APPROVED		
DRAWING FILE :		
INTERNAL\DRAWING\CE\ C CEE0098X014XXXX		
ANGLE OF PROJECTION		

Amphenol		
TITLE		
Cool Edge 32&16Gbps 1.0mm pitch connector		
SIZE	DRAWING NO.	REV.
A3	C CEE0098X014XXXX	3
SCALE	NONE	SHEET 4 OF 5

This document is the property of Amphenol Corporation and is delivered on the express condition that it is not to be disclosed, reproduced or used, in whole or in part, for manufacture or sale by anyone other than Amphenol Corporation without its prior consent, & that no right is granted to disclose or to use any information in this document.

REVISIONS				
SYM	ECN	DESCRIPTION	DATE	APPROVED

CUSTOMER DRAWING

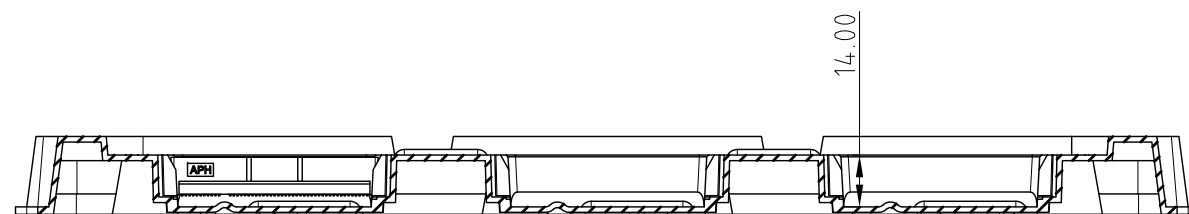


SECTION B-B



NOTE:

1. MATERIAL: ANTI-STATIC PS ,BLACK,T=2.00±0.05mm
- △ THE MIN THICKNESS SHOULD MORE THAN 0.50mm.
3. DRAFT ANGLE 3~5°
4. NO HIT MARK,CRACK AND BRIDGE
5. INDICATE THE P/N ON THE TOP OF TRAY
6. DIMENSIONS WITH NUMBERING '⊕' MARKED SHOULD BE CHECKED IN PROCESS CONTROL (AT LEAST, NOT LIMITED TO)
7. SHOULD TO PACKING THE PRODUCT IN THE TRAY BY CHECKING



SECTION A-A

PACKING SIZE(L×W): 320×220mm

UNLESS OTHERWISE SPECIFIED TOLERANCES <table border="1"> <thead> <tr> <th>U.S.</th> <th>METRIC</th> </tr> </thead> <tbody> <tr> <td>16>L</td> <td>±0.5</td> </tr> <tr> <td>16<L<63</td> <td>±0.8</td> </tr> <tr> <td>63<L<200</td> <td>±1.25</td> </tr> <tr> <td>200<L<300</td> <td>±2</td> </tr> <tr> <td>300<L</td> <td>±3</td> </tr> <tr> <td>ANGLES</td> <td>±1°</td> </tr> </tbody> </table>	U.S.	METRIC	16>L	±0.5	16<L<63	±0.8	63<L<200	±1.25	200<L<300	±2	300<L	±3	ANGLES	±1°	APPROVAL DRAWN xg.liu CHECKED APPROVED	DATE Feb.26,2020	<h2>Amphenol</h2>
	U.S.	METRIC															
	16>L	±0.5															
	16<L<63	±0.8															
63<L<200	±1.25																
200<L<300	±2																
300<L	±3																
ANGLES	±1°																
FOR MATERIALS AND FINISHES SEE NOTES REMOVE SHARP EDGES	DRAWING FILE : INTERNAL\PACKING MATERIAL SPEC\	TITLE TRAY FOR CEE0098001402&3XX CONNECTOR															
DIMENSIONS —U.S.— INCHES (METRIC) (mm)	ANGLE OF PROJECTION 	SIZE DRAWING NO. A3 C CEE0098X014XXXX															
SCALE NONE	SHEET 5 OF 5	REV. 3															