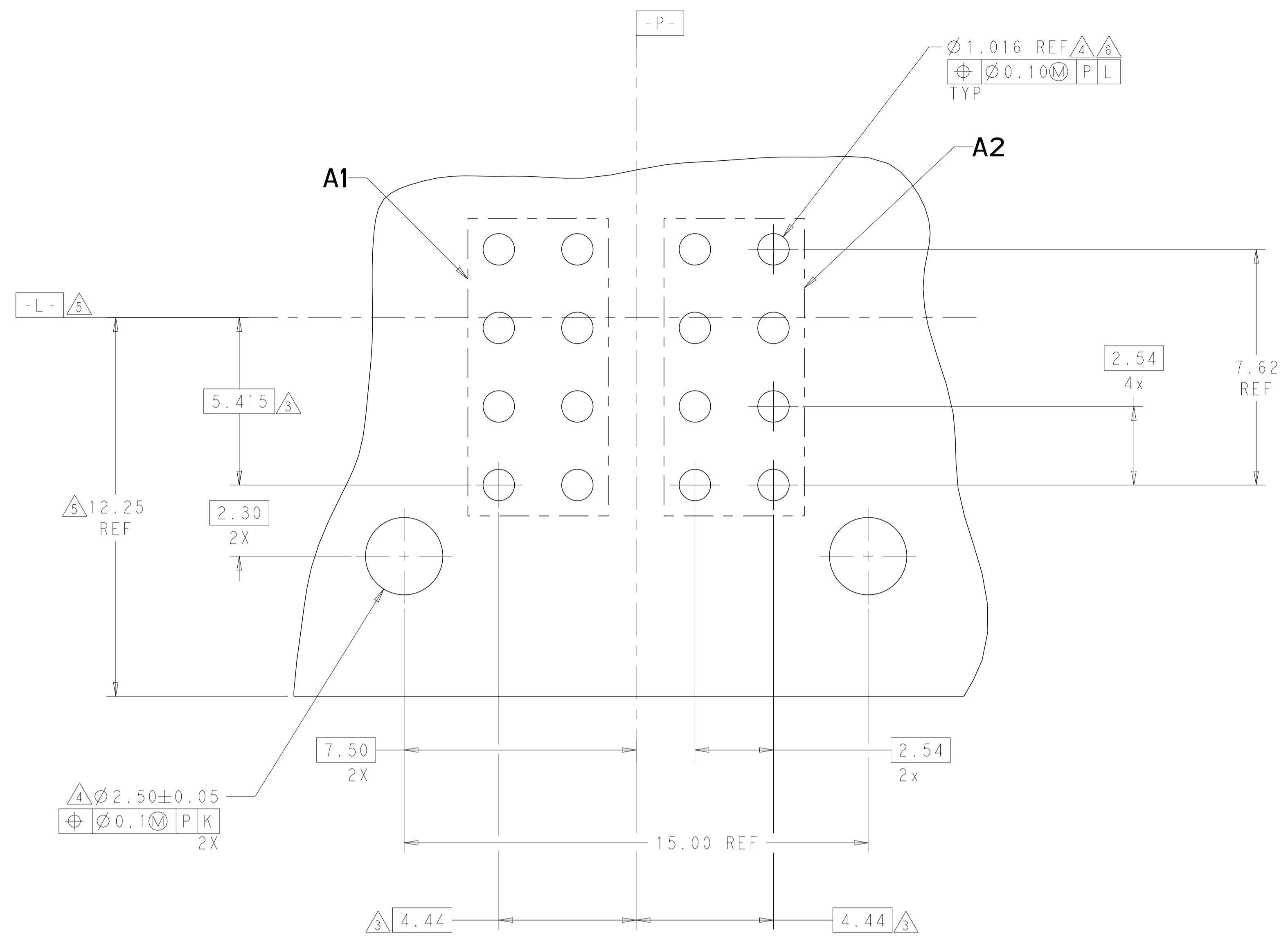
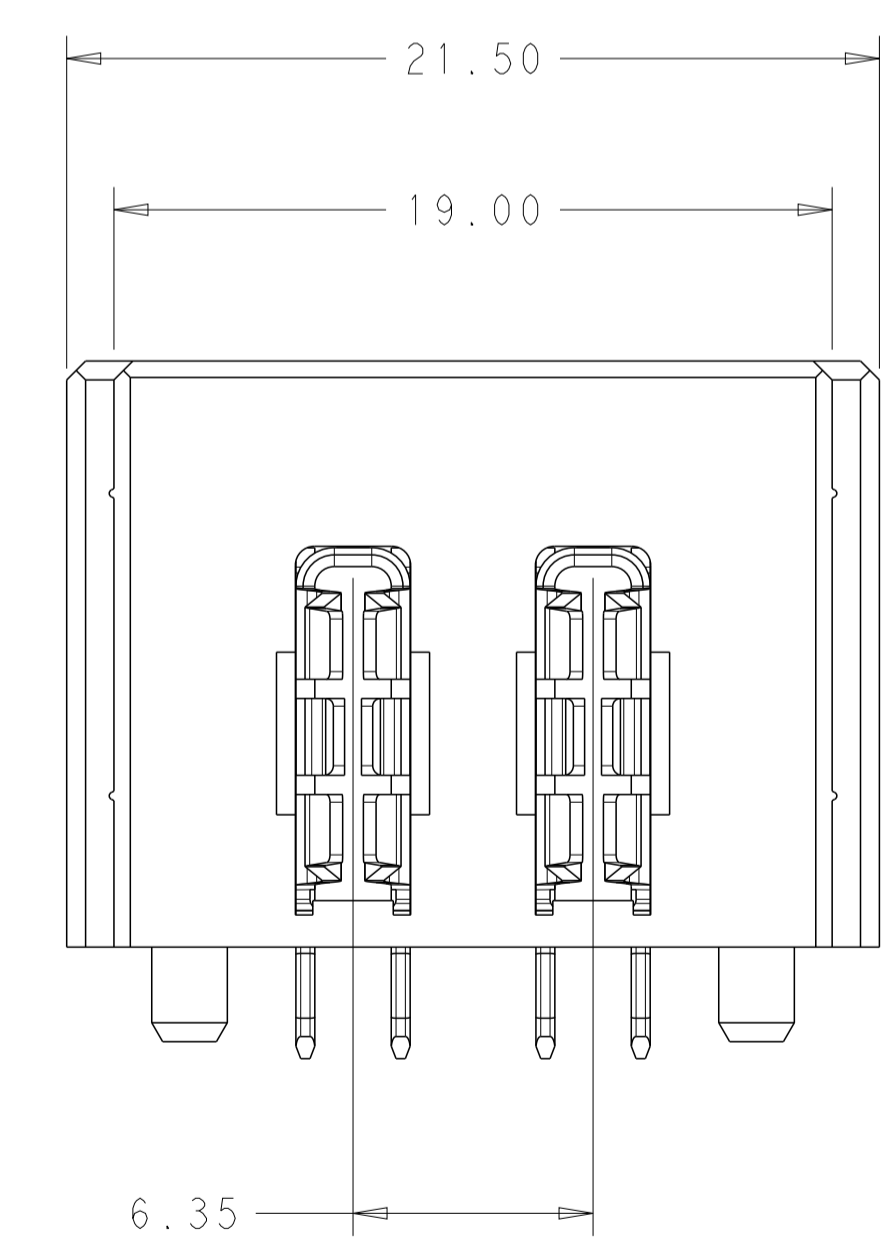
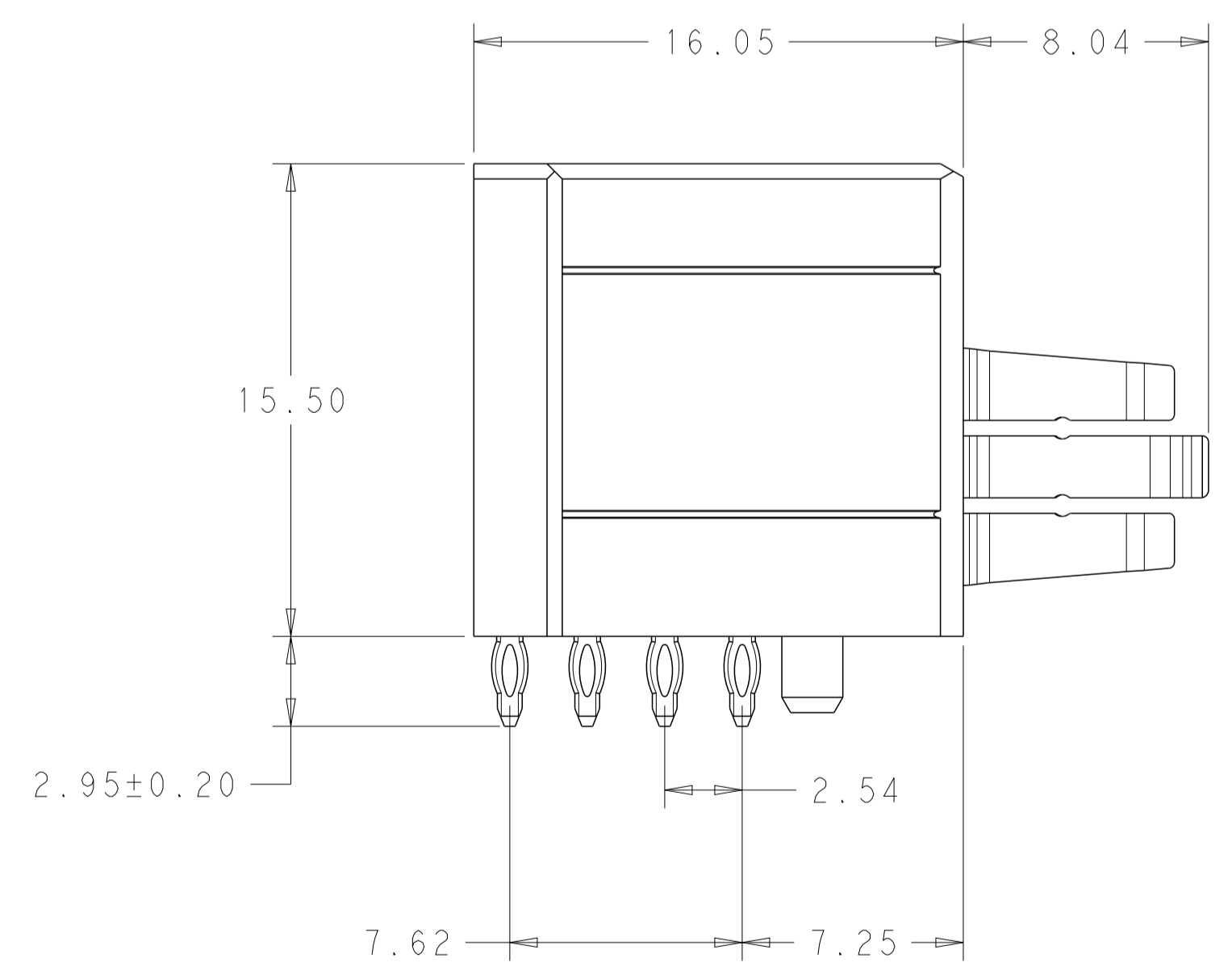


LOC	DIST	REVISIONS					
		P	LTH	DESCRIPTION	DATE	DWN	APVD
		C		REV PER ECO 14-018159	12-15-14	CT	DH
		D		REVISED PER ECO-16-002176	30MAR2016	RS	CT



RECOMMENDED PC BOARD LAYOUT
COMPONENT SIDE SHOWN
SCALE 10:1



- 1 MATERIAL:
CONTACT - COPPER ALLOY
HOUSING - LCP, COLOR - BLACK
- 2 FINISH:
MATING AREA: 0.76 μm GOLD OVER
1.27 μm NICKEL
COMPLIANT PIN AREA: 2.54 μm MATTE TIN OVER
1.27 μm NICKEL
- 3 DIMENSION APPLIES TO CENTERLINE OF THRU HOLE.
- 4 PCB - ALL HOLE DIAMETERS ARE FINISHED HOLE SIZES.
- 5 SEE PRINT 2102427-1 FOR DIMENSIONS
- 6 REFERENCE APPLICATION SPEC 114-13251 FOR RECOMMENDED PLATED THRU HOLE DIAMETER AND PLATING THICKNESS.

△	2102440-1
FINISH	PART NUMBER

THIS DRAWING IS A CONTROLLED DOCUMENT.		DWN D. BELACK	10MAR2011	TE Connectivity	
DIMENSIONS:		CHK K. THACKSTON		NAME	
mm	TOLERANCES UNLESS OTHERWISE SPECIFIED:	APVD M. McALONIS		HIGH POWER, METAL SHELL LRU, RIGHT ANGLE HEADER, MODULE	
0 PLC	±0.13	PRODUCT SPEC	108-2474	SIZE	CAGE CODE DRAWING NO
1 PLC	±0.10	APPLICATION SPEC	114-13251	RESTRICTED TO	
2 PLC	±0.10	FINISH	SEE TABLE	WEIGHT	~ 7.88g
3 PLC	±0.10			CUSTOMER DRAWING	
4 PLC	±0.10			SCALE	5:1
ANGLES	±2°			SHEET	1 OF 1
				REV	D

Mouser Electronics

Authorized Distributor

Click to View Pricing, Inventory, Delivery & Lifecycle Information:

[TE Connectivity:](#)

[2102440-1](#)