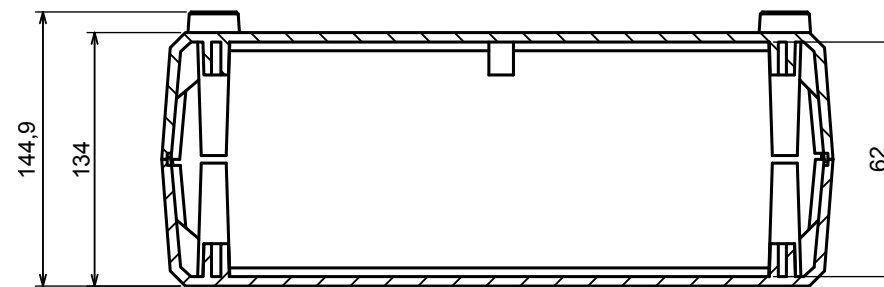


A-A



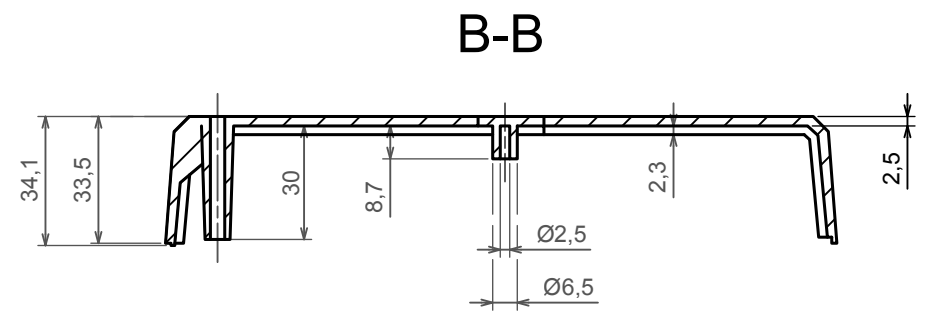
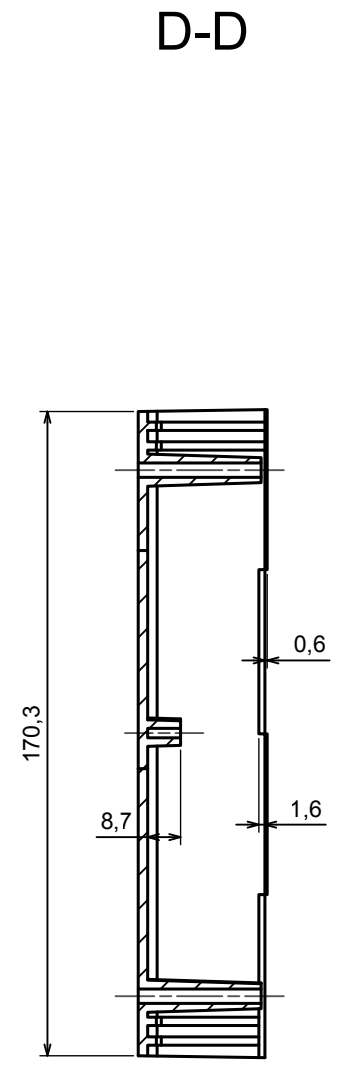
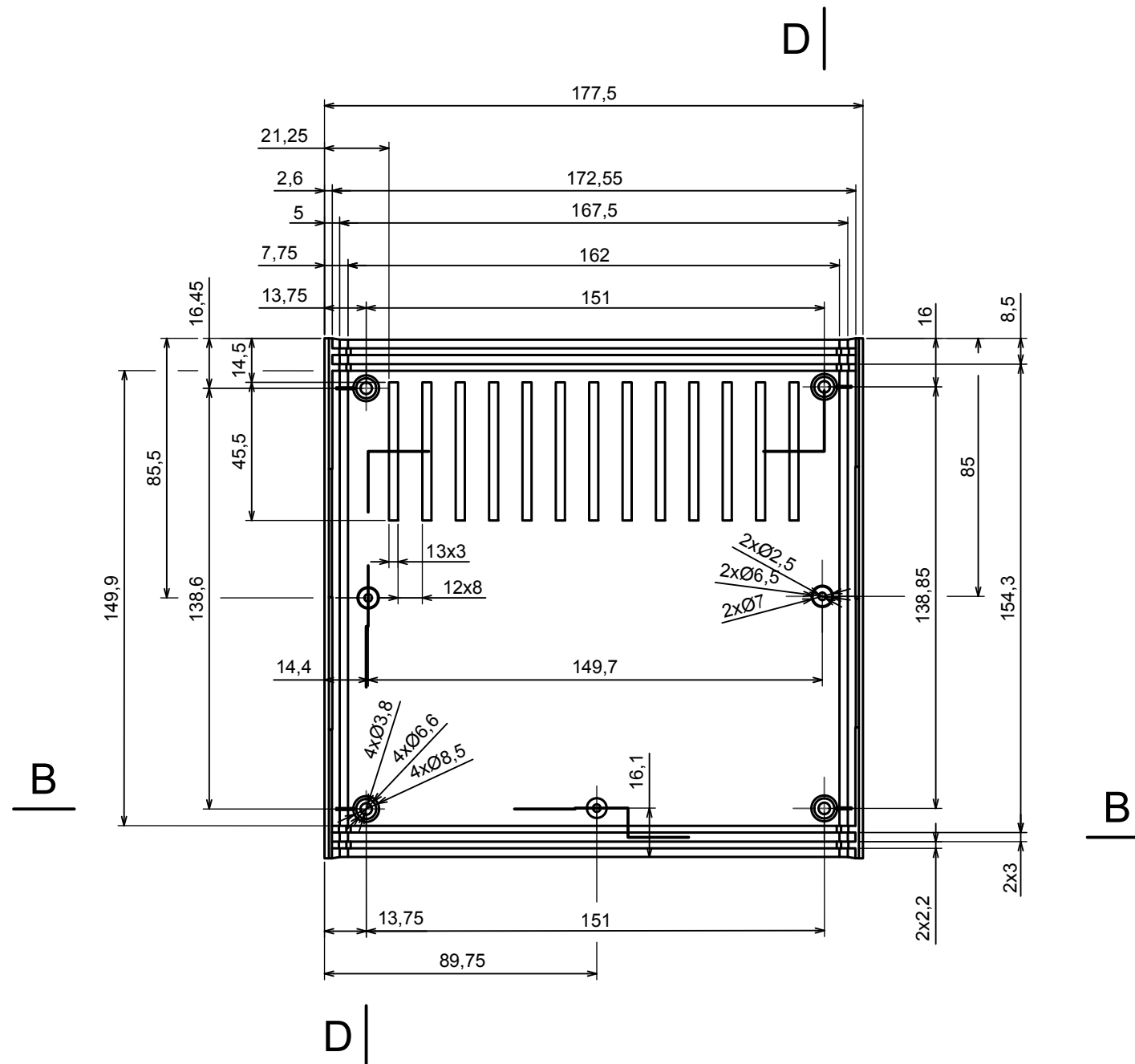
All rights reserved, Copyright Kradex 2017

Product model Enclosure Z1AW - Assembly

Format: A3 Material: PS, ABS

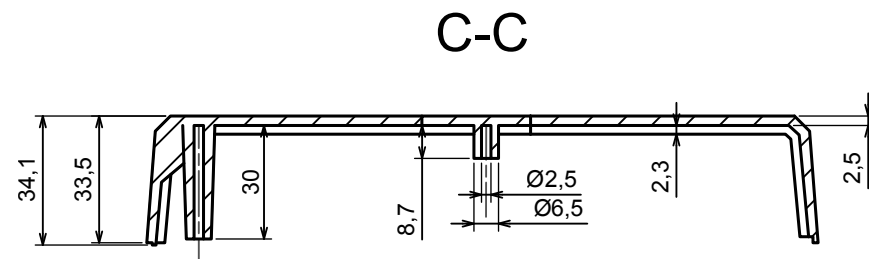
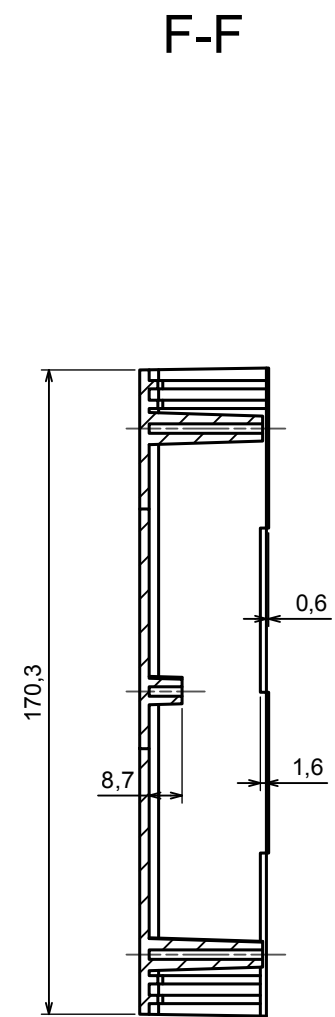
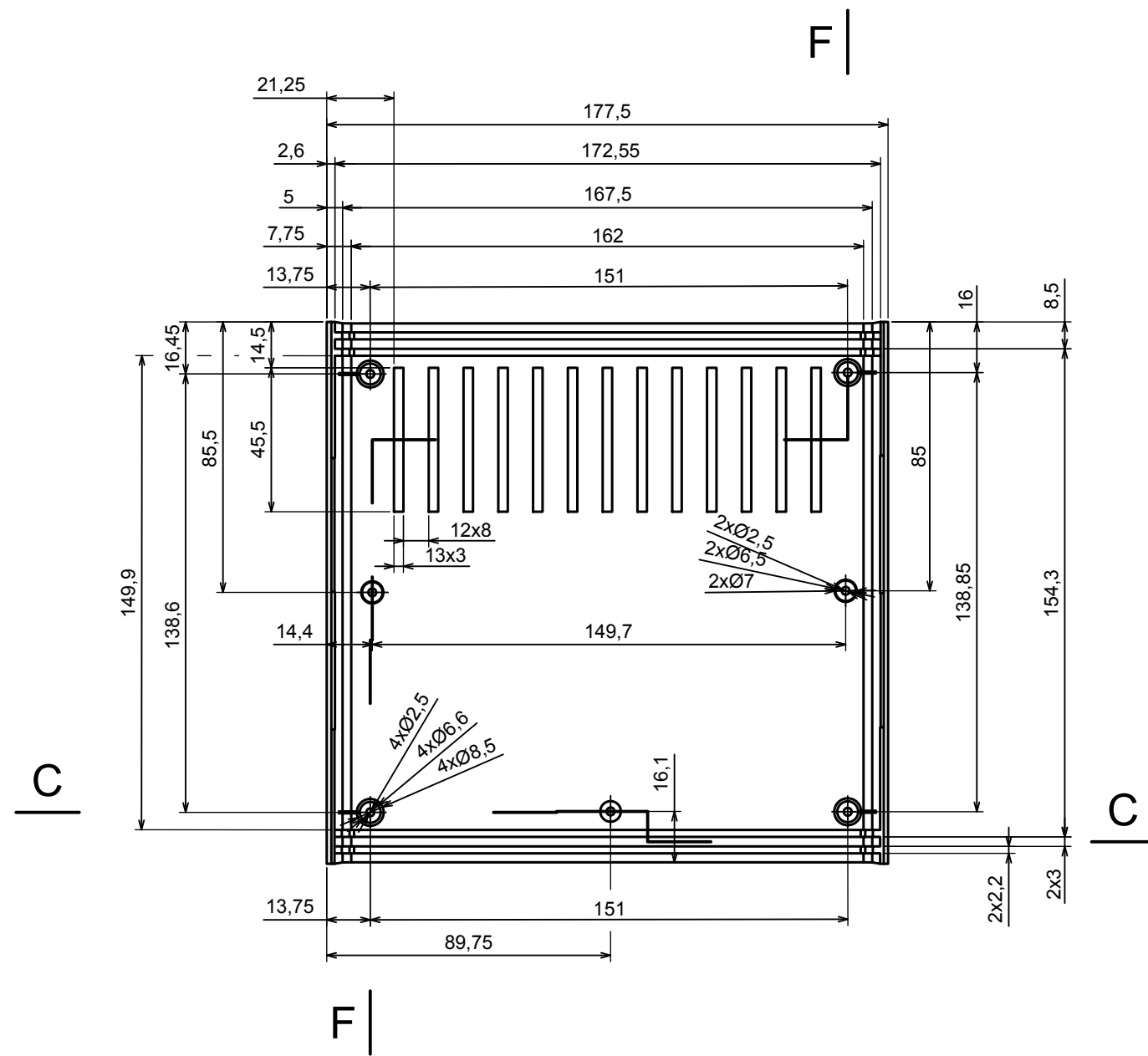
Scale 1:2 Tolerance: +/- 0.5




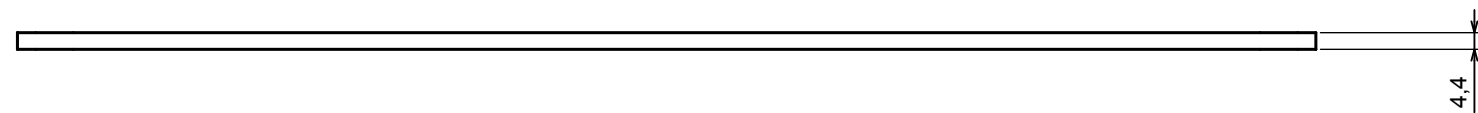
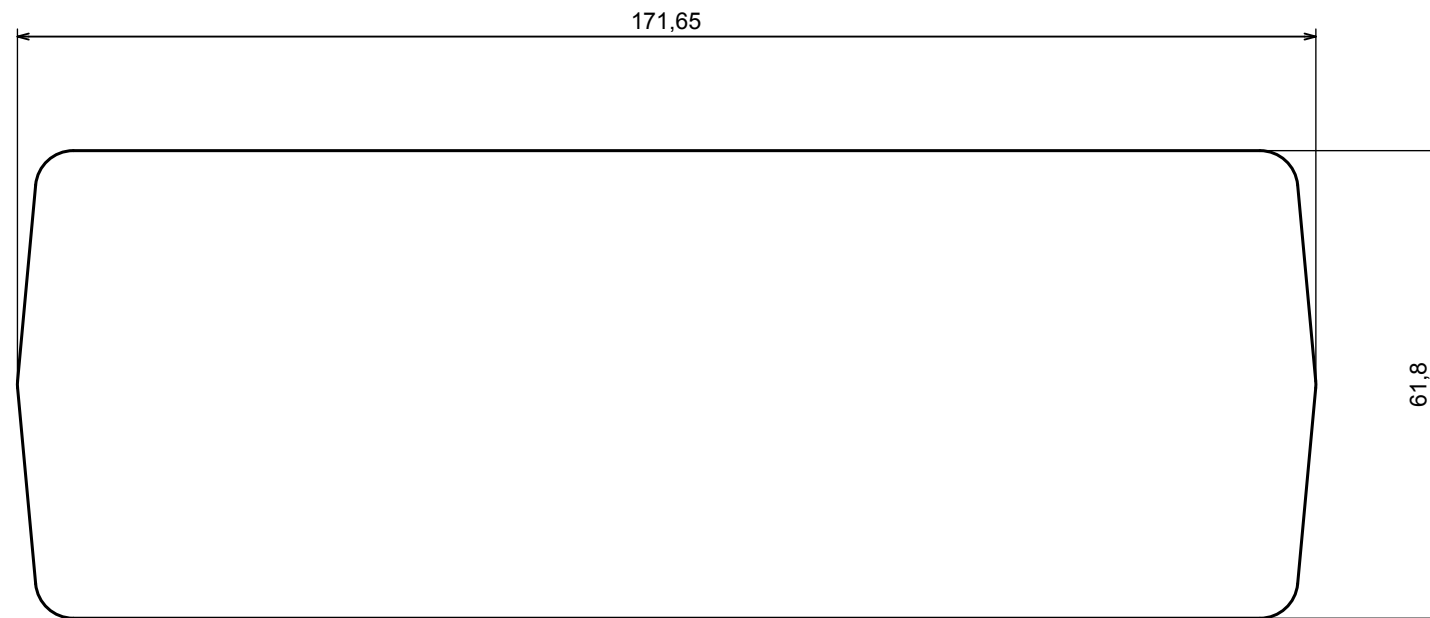



All rights reserved, Copyright Kradox 2017	
Product model	Enclosure Z1AW - Base
Format: A3	Material: PS, ABS
Scale 1:2	Tolerance: +/- 0.5

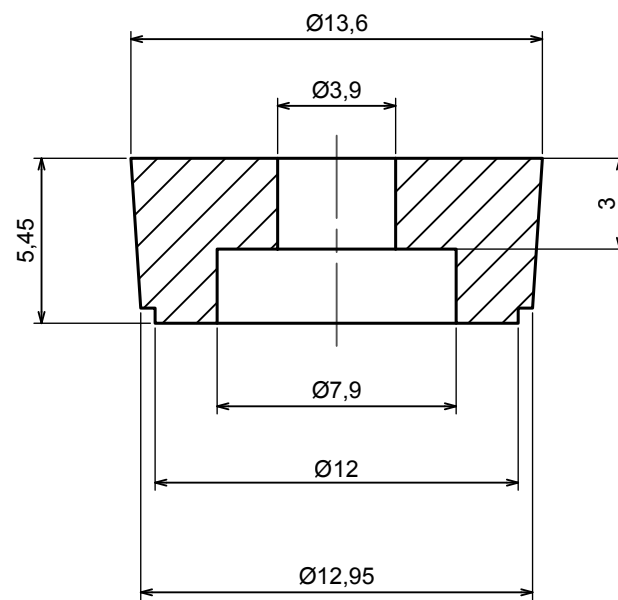




All rights reserved, Copyright Kradox 2017		
Product model	Enclosure Z1AW - Cover	
Format: A3	Material: PS, ABS	
Scale 1:2	Tolerance: +/- 0.5	



All rights reserved, Copyright Kradex 2017		
Product model	Enclosure Z1AW - Board	
Format: A3	Material: PS, ABS	
Scale 1:1	Tolerance: +/- 0.5	



All rights reserved, Copyright Kradex 2017

Product model: Enclosure Z1AW - Foot

Format: A3 Material: PS, ABS

Scale 4:1 Tolerance: +/- 0.5

