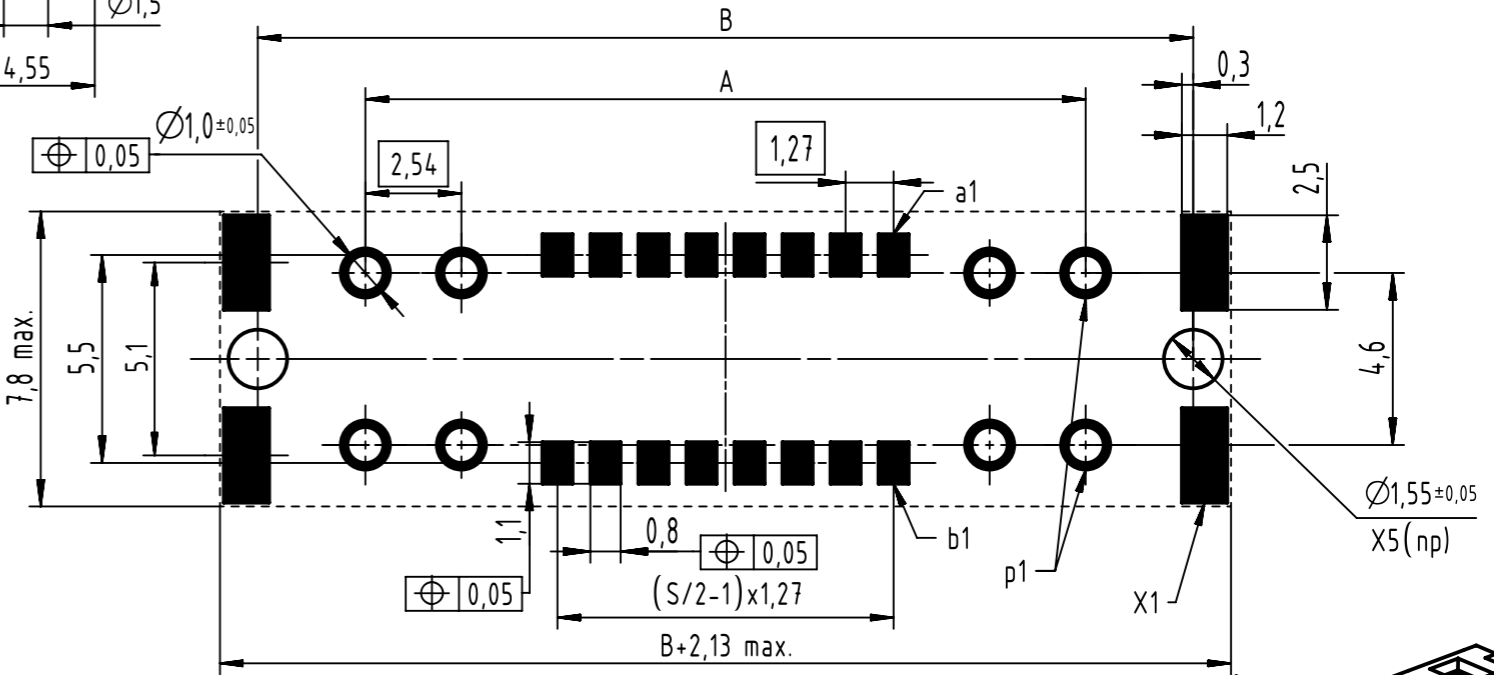


Power poles P=	Signal poles S=	Part number	A	B	C	D	E	F
2	08	1582 208 X701 XXX	8,89	14,58	16,51	13,18	12,18	4,36
4	16	1582 416 X701 XXX	19,05	24,74	26,67	23,24	22,34	9,44
6	26	1582 626 X701 XXX	30,48	36,17	38,10	34,77	33,77	15,16
8	36	1582 836 X701 XXX	41,91	47,60	49,53	46,20	45,20	20,87

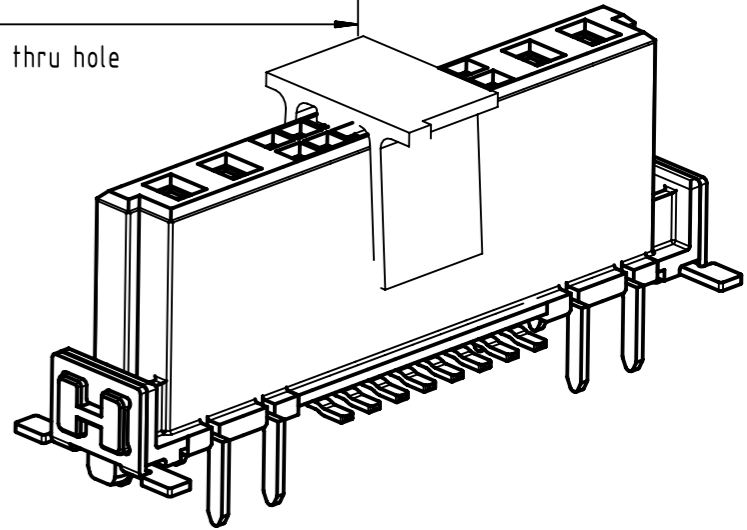
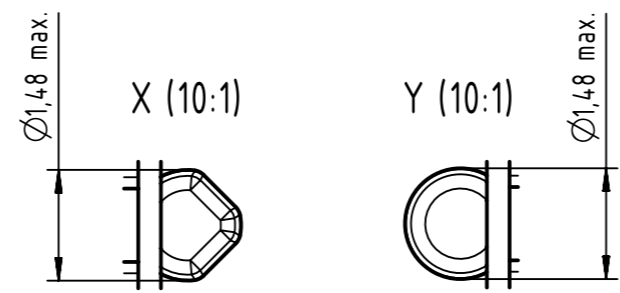
Packaging	
tape & reel with 200 pcs per reel	000
samples	333

Performance level	
PL1 : > 500 mating cycles	2

### Recommended PCB Layout



X=only mechanical; np=not plated thru hole



Find further technical information see data sheet

	All rights reserved	Created by CHENSK	Inspected by WANGSTE	Standardisation 302077	Date 2020-11-02	State Final Release
	Department EL PD	Title Har-flex hybrid female conn THR 9.05mm			Doc-Key / ECM-Nr. 100780681/UGD/001/B 500000182171	
HARTING Electronics GmbH D-32339 Espelkamp		Type TB	Number 1582XXXX701XXX		Rev. B	Page 1/2



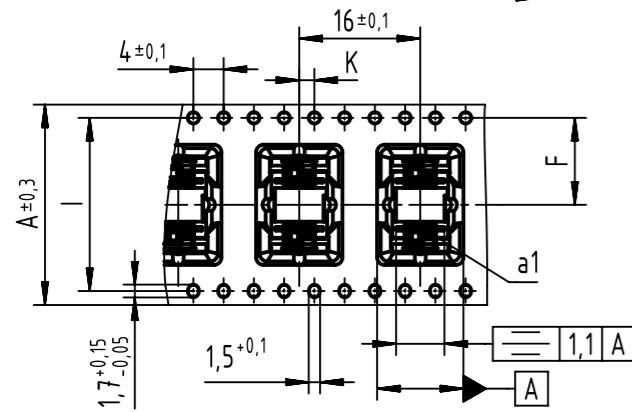
# har-flex<sup>®</sup> straight female power connector



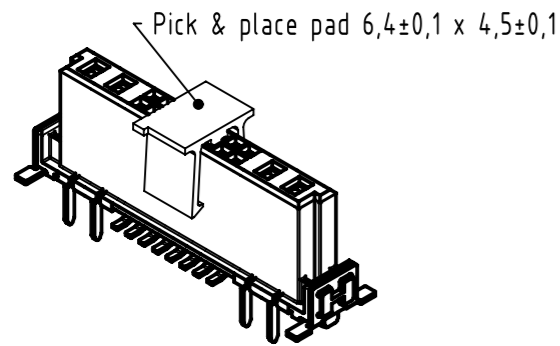
## TAPE LAYOUT & PACKAGING

Tape acc. to IEC 60286-3

Reel off direction **X**



Tape dimensions:	A	F	I	K
poles 2P+8S	32,0	14,2±0,10	28,4	2±0,1
poles 4P+16S	44,0	20,2±0,10	40,4	2±0,15
poles 6P+26S	56,0	26,2±0,10	52,4	2±0,15
poles 8P+36S	72,0	34,2±0,30	68,40	2±0,20



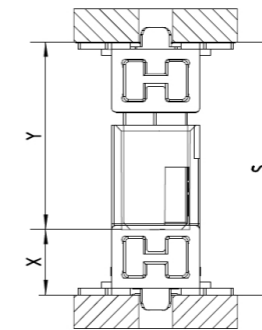
### Packaging indices ("XXX" in part number)

Index	Stacking height	Packaging unit	Packaging
000	9,05mm	200	Tape&reel
333	All	1	Tape

## APPLICATION INFORMATION

S	15mm	
	14mm	
	13mm	
	12mm	
	11mm	
	10mm	
	9mm	
	8mm	
X&Y	stacking heights	male 3.25mm female 9.05mm
S	PCB distance	12.3mm- 13.8mm
	part numbers	1552... 1562...

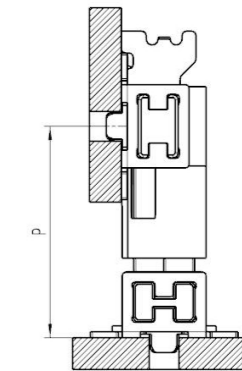
Straight female



Straight male

3,25	9,05	12,3	13,8
X	Y	Smin	* Smax

Angled male

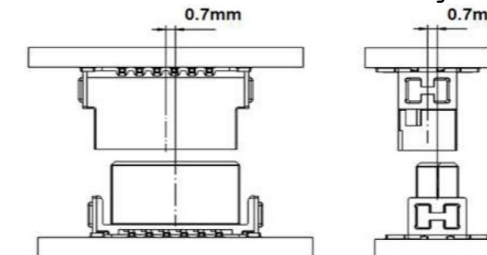


Straight female

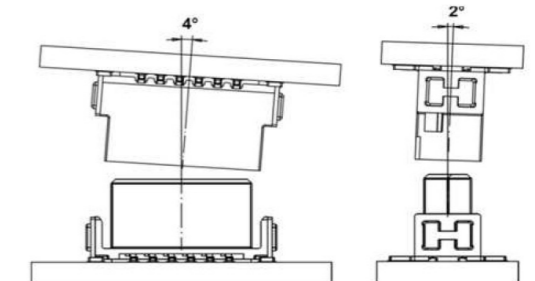
9,05	10,70
Y	P min.

\*Smax = Smin +1.5 wiping length with additional contact overlap security

Admissible mismatching

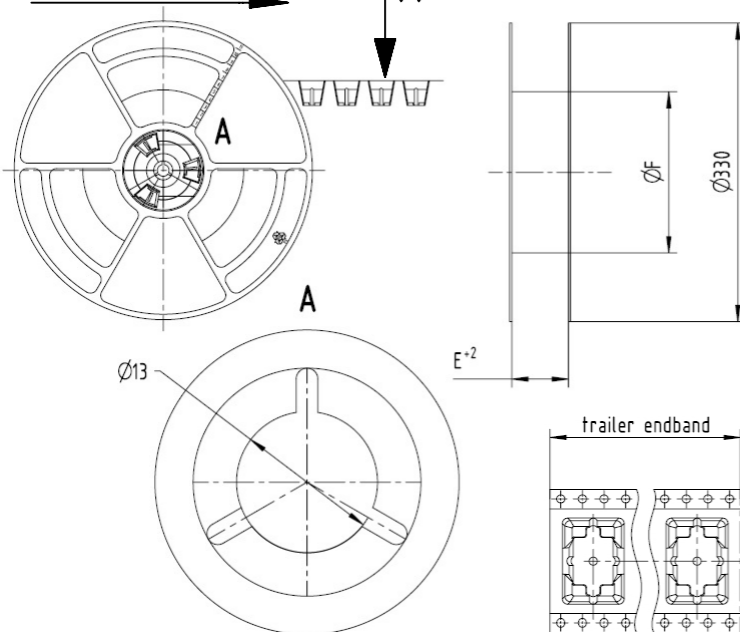


Admissible inclination



## REEL DIMENSIONS

Reel off direction **X**



Reel dimensions:	E	F
Poles 2P+8S	32,4	178mm for stacking height 3,25mm
Poles 4P+16S	44,4	
Poles 6P+26S	56,0	
Poles 8P+36S	72,0	



All Dimensions in mm  
Original Size DIN A3

Scale  
1:1

Free size tol.

Ref.  
Sub.



All rights reserved  
Department EL PD

Created by  
CHENSK

Inspected by  
WANGSTE

Standardisation  
302077

Date  
2020-11-02

State  
Final Release

Title  
Har-flex hybrid female conn THR 9.05mm

Doc-Key / ECM-Nr.  
100780681/UGD/001/B  
500000182171

HARTING Electronics GmbH  
D-32339 Espelkamp

Type  
TB

Number  
1582XXXX701XXX

Rev.  
B

Page  
2/2