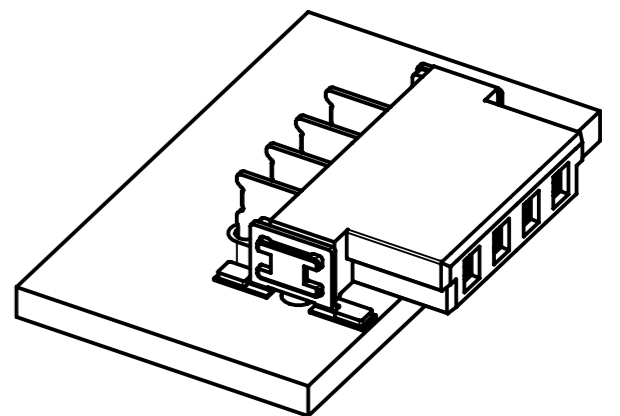


Poles P=	Part number	A	B	C	D	E
2	1565 002 X701 XXX	2,54	8,23	10,16	6,83	5,83
3	1565 003 X701 XXX	5,08	10,77	12,7	9,37	8,37
4	1565 004 X701 XXX	7,62	13,31	15,24	11,91	10,91
5	1565 005 X701 XXX	10,16	15,85	17,78	14,45	13,45
6	1565 006 X701 XXX	12,7	18,39	20,32	16,99	15,99
12	1565 012 X701 XXX	27,94	33,63	35,56	32,23	31,23

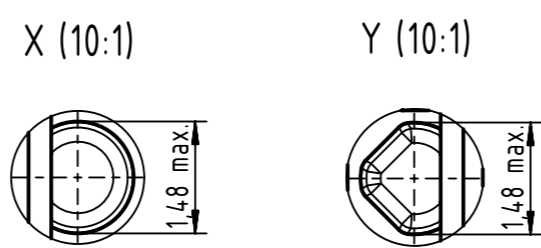
Packaging	
tape & reel with 400 pcs per reel	000
samples	333

Performance level	
PL1 : > 500 mating cycles	2



Further technical information see data sheet

All rights reserved Department EL PD HARTING Electronics GmbH D-32339 Espelkamp		All Dimensions in mm Original Size DIN A3 Scale 5:1 Free size tol. Created by SHENGJ Inspected by WANGSTE Standardisation 302077 Title har-flex angled pure power female THR connector Type TB Number 15650XXX701XXX	Ref. Sub. Date 2020-10-30 State Final Release Doc-Key / ECM-Nr. 100793404/UGD/001/B 500000182415 Rev. B Page 1/2
--	--	---	--



Ø5 Vacuum picking area

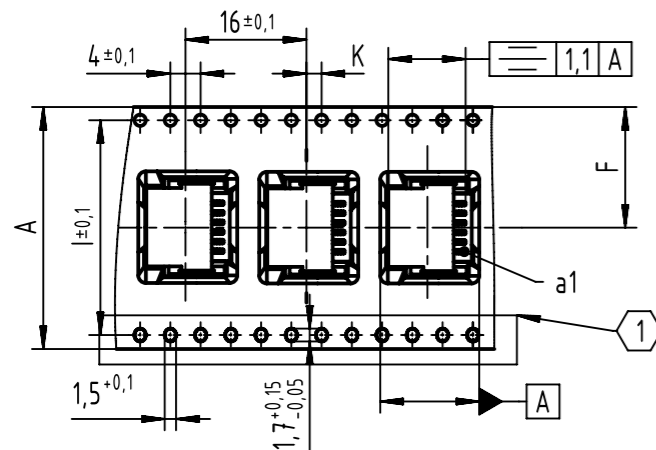


# har-flex angled pure power female connector



## TAPE LAYOUT & PACKAGING

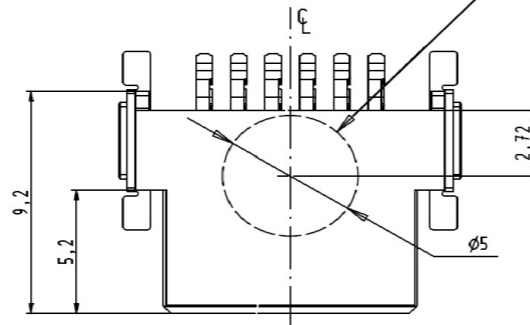
Tape acc. to IEC 60286-3



Tape dimensions:	A	F	I	K
Poles 02 to 04	24,0+0,3/-0,1	11,5±0,1	-	2±0,1
Poles 05	32,0±0,3	14,2±0,1	28,4	2±0,1
Poles 06	44,0±0,3	20,2±0,1	40,4	2±0,15
Poles 12	56,0±0,3	26,2±0,1	52,4	2±0,15

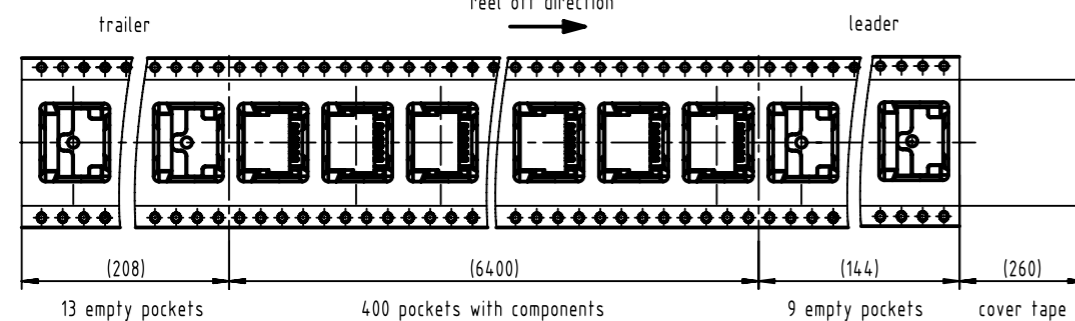
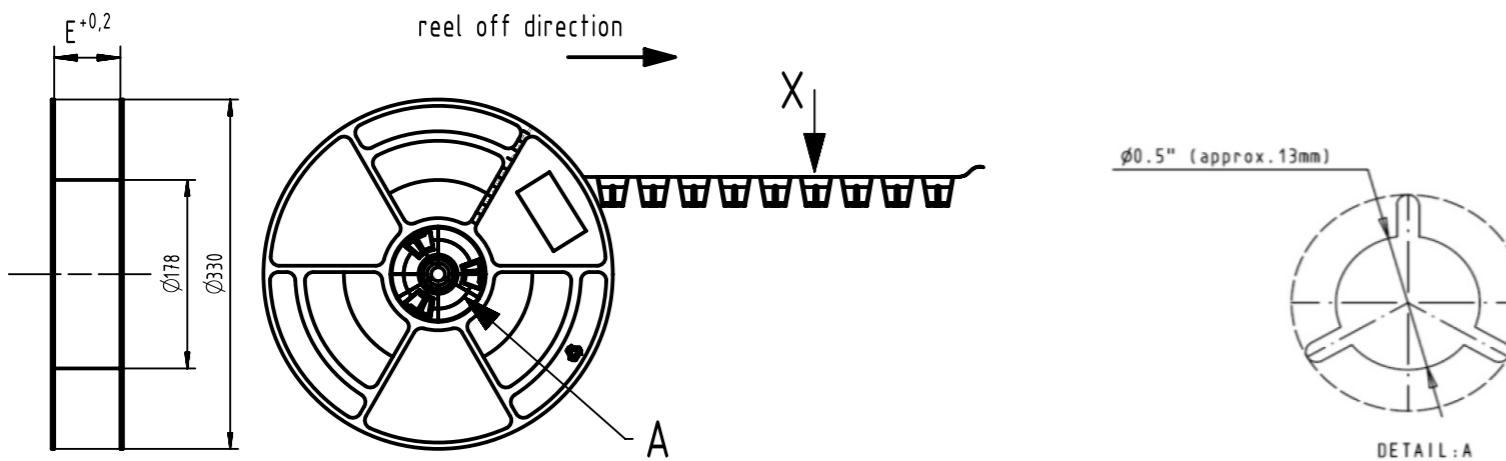
1 NO DOUBLE SPROCKET HOLES FOR 02, 03 AND 04 POLE NUMBERS (TAPE SIZE 24)

Pick & place area Ø5



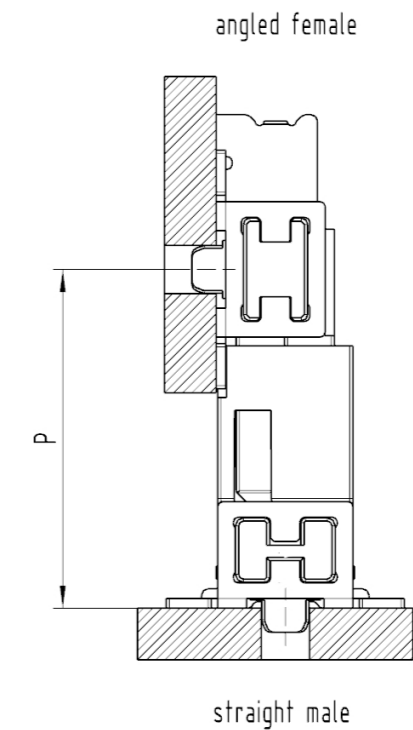
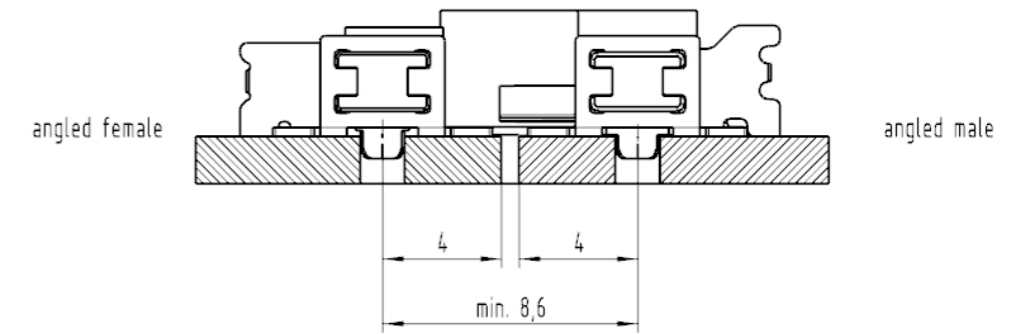
Packaging indices ("XXX" in part number)		
Index	Packaging unit	Packaging
000	400	Tape & reel
333	1	Tape

## REEL DIMENSIONS

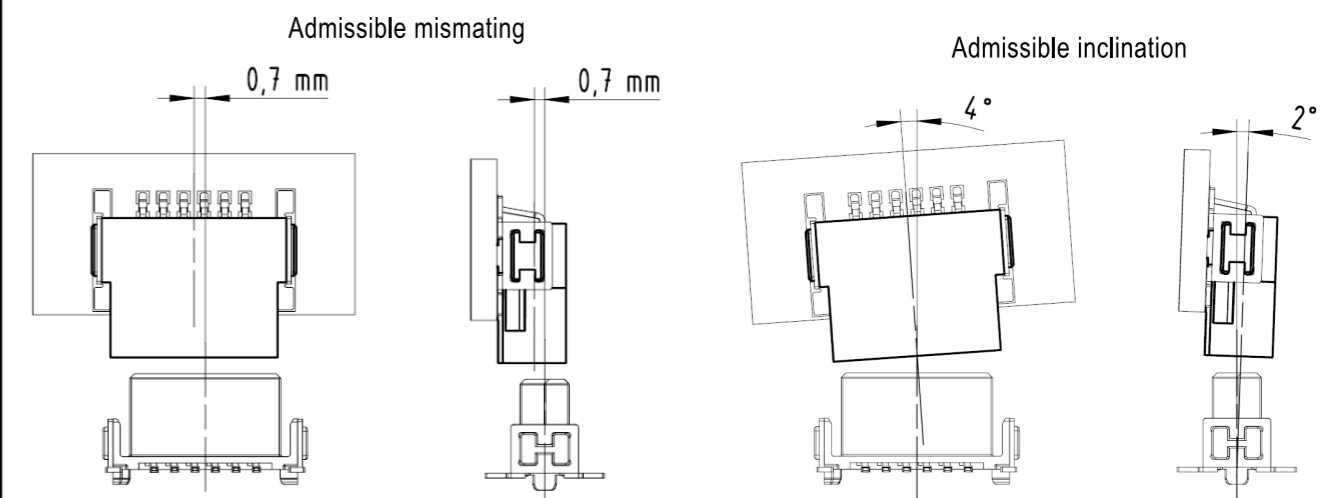


Reel dimensions:	E
Poles 02 to 04	24,4
Poles 05	32,4
Poles 06	44,4
Poles 12	56,4

## APPLICATION INFORMATION



3,25	10,5
X	P min.



	All Dimensions in mm Original Size DIN A3		Scale 1:1	Free size tol.		Ref. Sub.	
	All rights reserved Department EL PD		Created by SHENGJ	Inspected by WANGSTE	Standardisation 302077	Date 2020-10-30	State Final Release
HARTING Electronics GmbH D-32339 Espelkamp		Title har-flex angled pure power female THR connector				Doc-Key / ECM-Nr. 100793404/UGD/001/B 500000182415	
		Type TB	Number 15650XXX701XXX		Rev. B	Page 2/2	