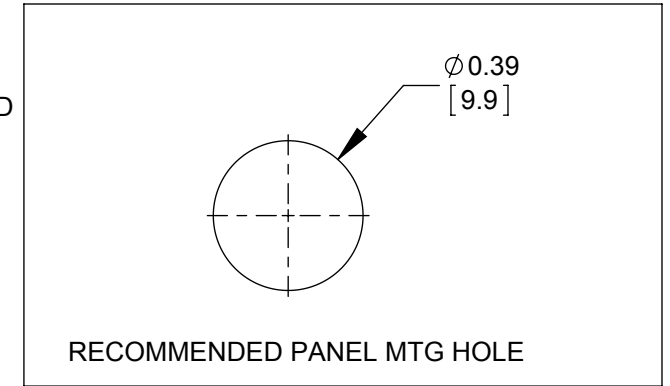
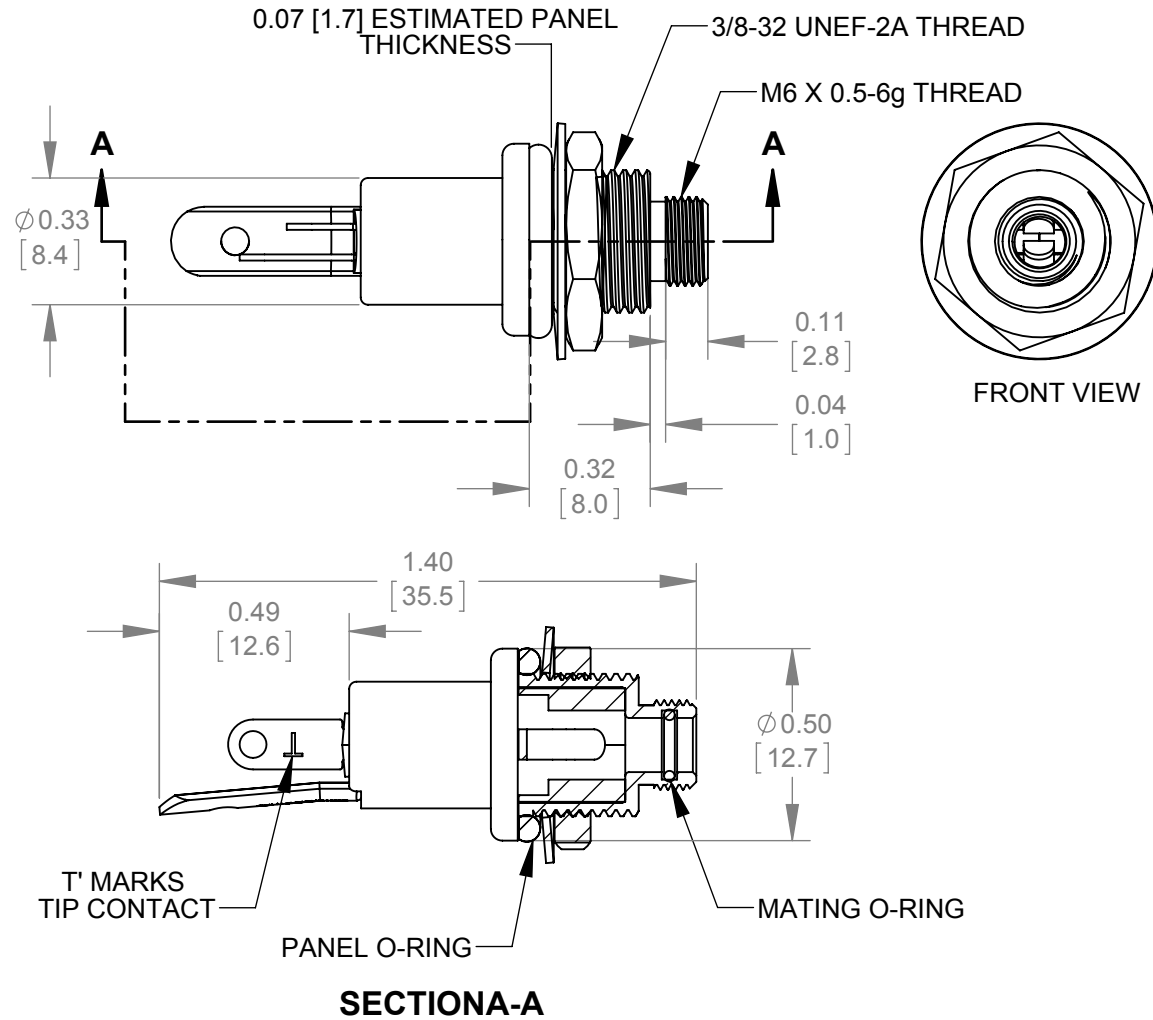


35RM3

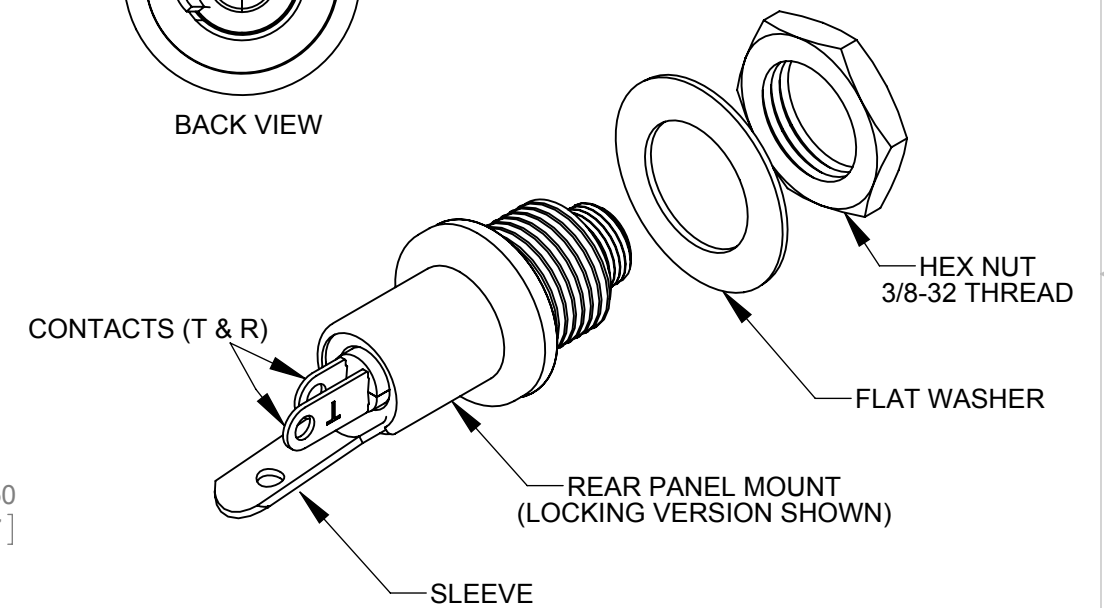
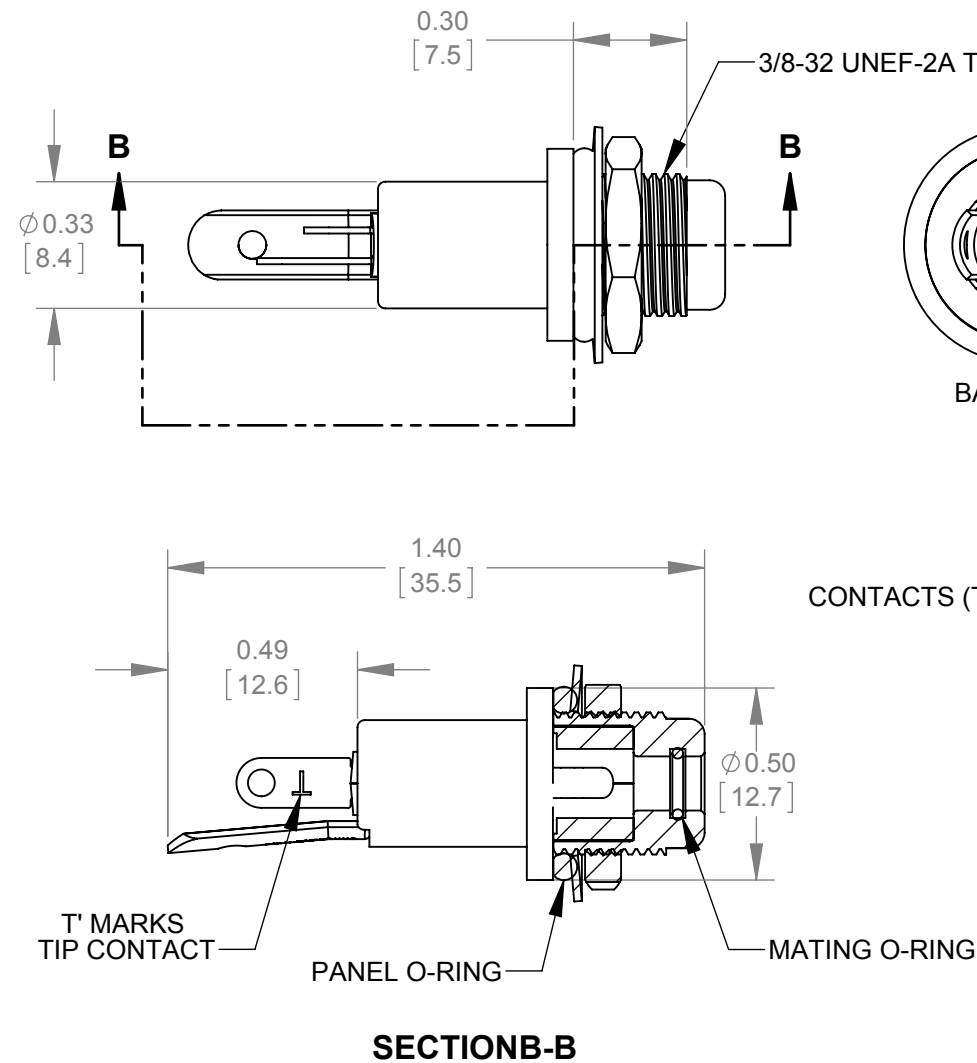
S - SEALED
BLANK - NON SEALED
L - LOCKING
BLANK - NON LOCKING
AU - GOLD
BLANK - SILVER



LOCKING & SEALED ASSEMBLY SHOWN



NON LOCKING & SEALED ASSEMBLY SHOWN



NOTES:

- USE SWITCHCRAFT'S 3.5MM LOCKING STEREO PLUG FOR MATING.
- DIMENSIONS SHOWN FOR REFERENCE ONLY.
- HEX NUT, WASHER AND O-RINGS ARE PROVIDED ASSEMBLED TO THE HOUSING ASSEMBLY. NO O-RINGS SUPPLIED WITH NON SEALED VERSIONS.
- MATERIAL:
HOUSINGS, HEX NUT - COPPER ALLOY, NICKEL PLATED
FLAT WASHERS - STEEL, NICKEL PLATED
CONTACTS - BERYLLIUM COPPER, SILVER PLATED
O-RINGS - NITRILE RUBBER, 70 DUROMETER
- THIS PRODUCT IS RoHS COMPLIANT.

**PRELIMINARY
CUSTOMER DRAWING**

					THIS DRAWING DESCRIBES A DESIGN CONSIDERED PROPRIETARY IN NATURE, DEVELOPED AND MANUFACTURED BY SWITCHCRAFT INC. AND IS RELEASED ON A CONFIDENTIAL BASIS FOR IDENTIFICATION PURPOSES ONLY.					
UNLESS OTHERWISE SPECIFIED					SIZE *	WIDTH *	MULT *	LBS/M *	TEMPER *	
1. ALL DIMENSIONS IN INCHES [mm]					FINISH *				MATERIAL *	
- TWO PLACE DECIMALS ±0.02 [0.5]					SPEC No. *				MATERIAL SPEC No. *	
- THREE PLACE DECIMALS ±0.005 [0.13]					FIRST USED ON *		SCALE 2:1			
0A	FIRST DRAWN	02/10/17	AM	*	DATE DRAWN	BY	CHKD	APVD	Switchcraft®	
REV	ECO NUMBER	DATE	BY	APVD	02/10/17	AM	*	*		
REVISIONS					NAME 3.5MM JACK ASSM				SHEET 1 OF 1	
DO NOT SCALE DRAWING					REAR PANEL MOUNT, RoHS				PART No. 35RM3 SERIES	REV 0A

Mouser Electronics

Authorized Distributor

Click to View Pricing, Inventory, Delivery & Lifecycle Information:

Switchcraft:

[35RM3LS](#) [35RM3L](#) [35RM3AUL](#) [35RM3AULS](#) [35RM3AUS](#) [35RM3S](#)