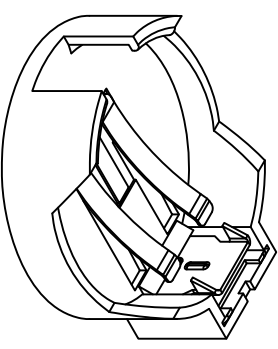
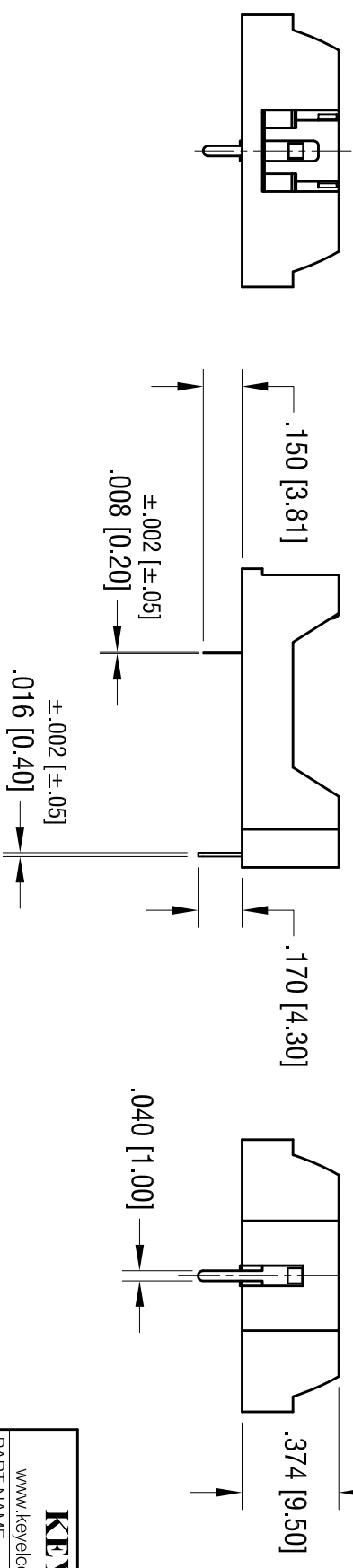
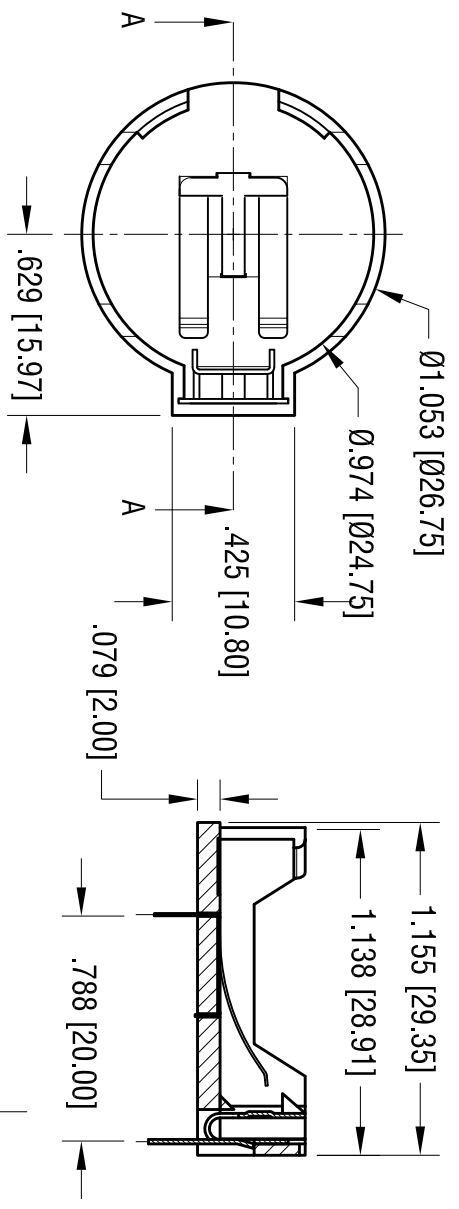
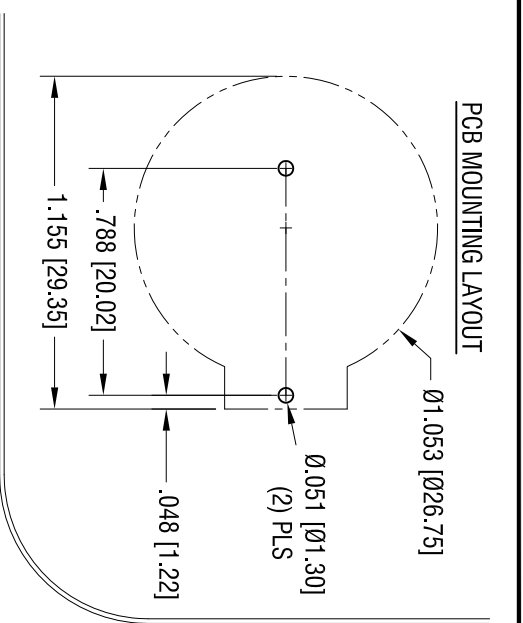


DATE	DESCRIPTION	REV.
1.24.11	CHANGE AS PER ECN 11-007	A
11.22.11	CHANGE AS PER ECN 11-157	B
9.11.15	CHANGE AS PER ECN 15-089	C



- NOTE:
1. HOUSING: MAT'L- PBT-UL 94V-0
 2. POSITIVE AND NEGATIVE CONTACTS: MAT'L- PHOSPHOR BRONZE FINISH- NICKEL PLATE

THIS DOCUMENT IS THE PROPERTY OF KEYSTONE ELECTRONICS CORP. AND SHALL NOT BE REPRODUCED, DISTRIBUTED OR USED AS A BASIS FOR MANUFACTURE WITHOUT PRIOR WRITTEN PERMISSION FROM KEYSTONE ELECTRONICS CORP.

KEYSTONE ELECTRONICS CORP.			
www.keystec.com • ASTORIA, N.Y. 11105-2017 • Tel (718) 956-8900			
PART NAME			
BATTERY HOLDER FOR CR2450			
MATERIAL			
AS NOTED			
FINISH		DRN BY	
AS NOTED		NT	
TOLERANCES		DATE	
INCH	[MM]	11.29.10	
DECIMAL	± .010 [± 0.25]	SCALE	
ANGULAR	± 1°	1.5X	
UNLESS OTHERWISE SPECIFIED		CODE	DWG NO.
		C	1053

Mouser Electronics

Authorized Distributor

Click to View Pricing, Inventory, Delivery & Lifecycle Information:

[Keystone Electronics:](#)

[1053](#)