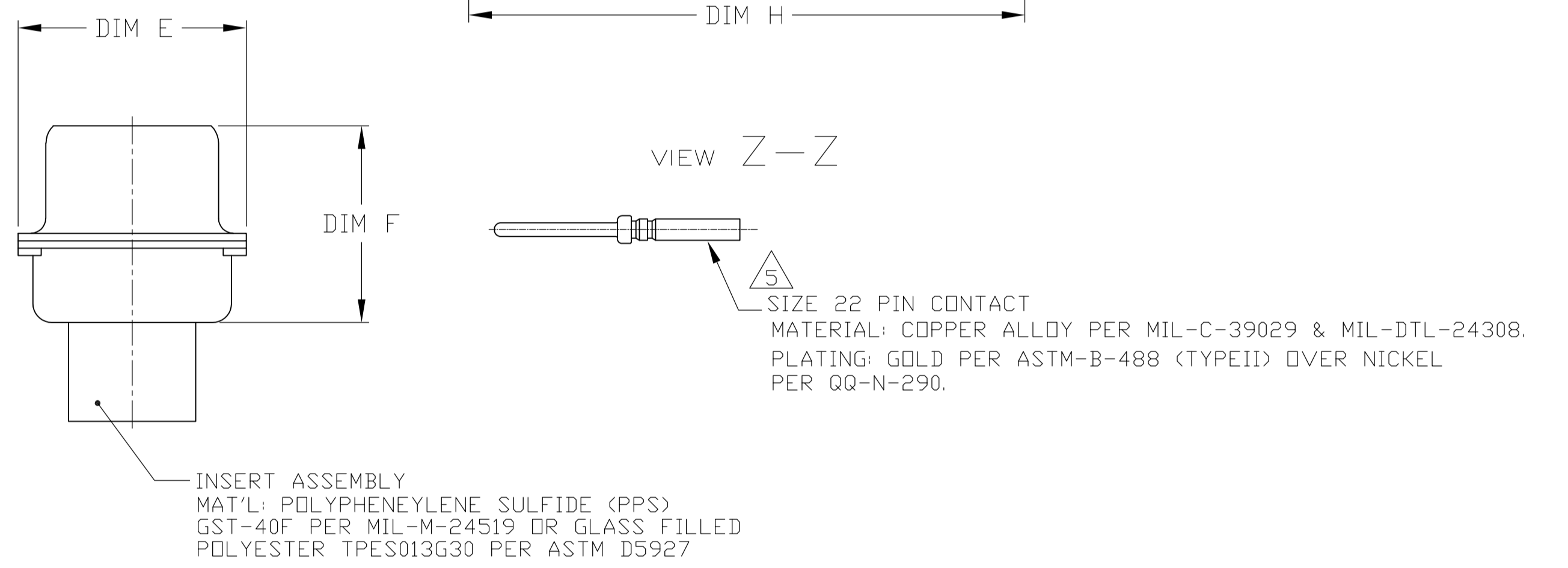
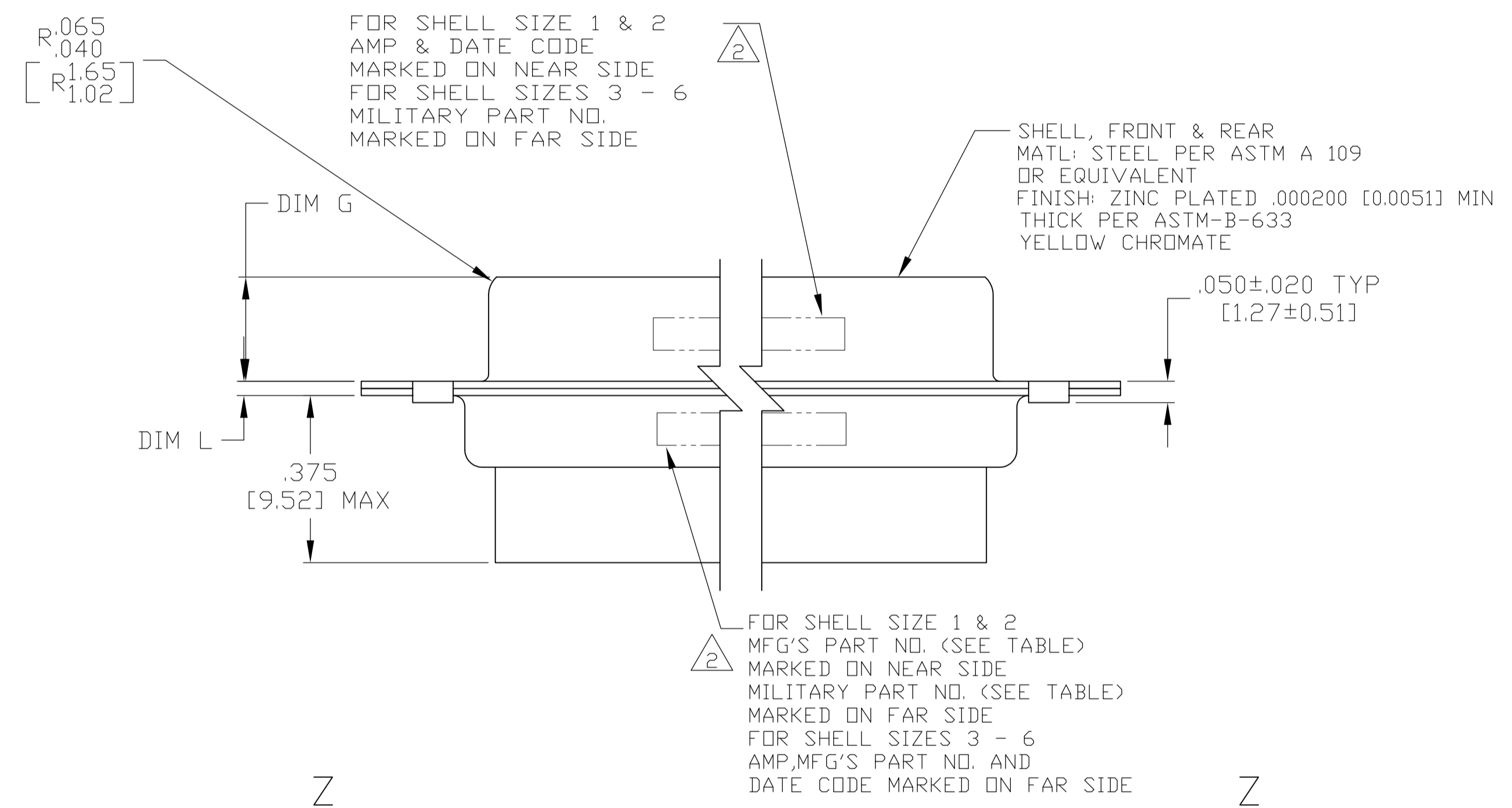
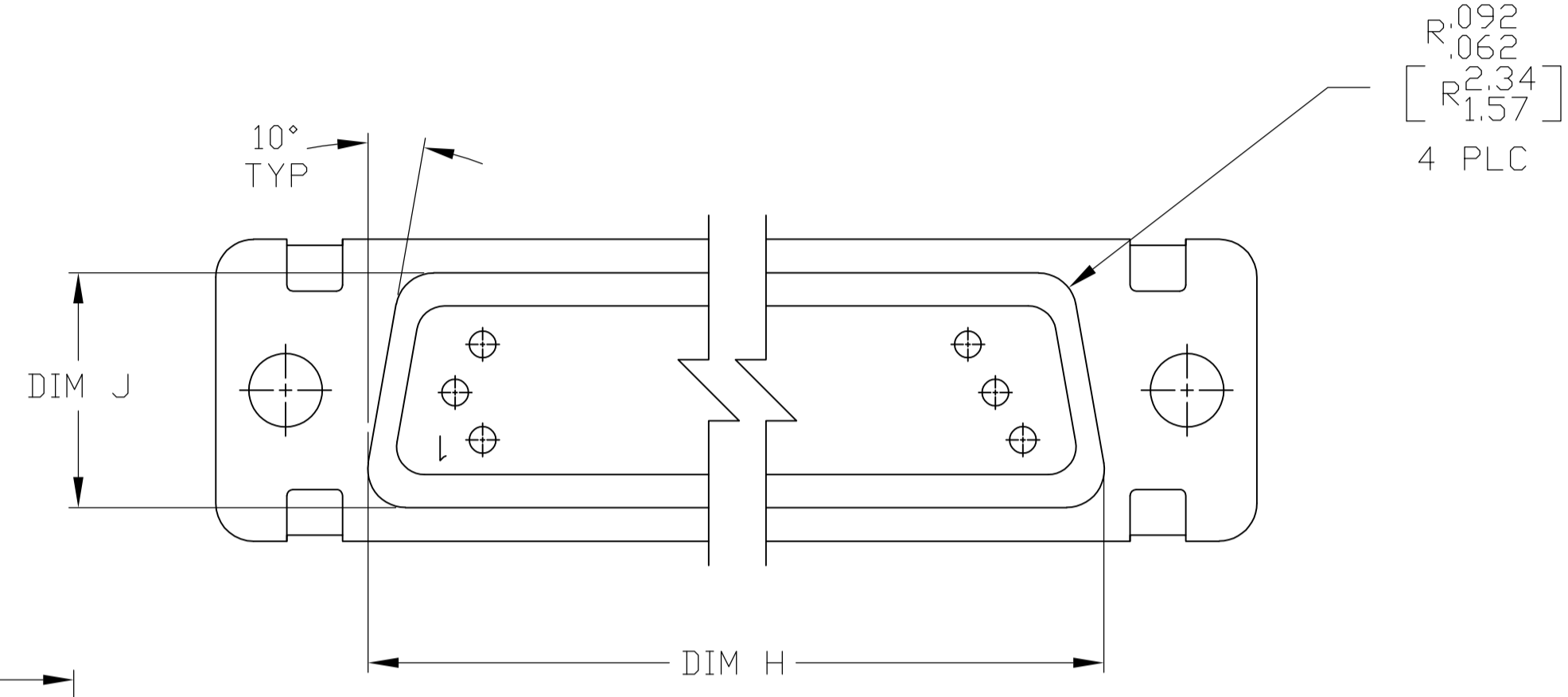


1. THE CONNECTOR DESCRIBED IN THIS DOCUMENT WILL MATE WITH ANY RECEPTACLE CONNECTOR WITH THE SAME INSERT ARRANGEMENT.
2. MARKED WITH .047-062 [1.19-1.57] HIGH CHARACTERS. FAR SIDE REFERS TO THE WIDE SIDE OF THE KEYSTONE. NEAR SIDE REFERS TO THE NARROW SIDE OF THE KEYSTONE. WHEN SPACE IS LIMITED MARKING CAN BE SPLIT BETWEEN FRONT AND REAR SHELL.
3. UL/CSA DESIGNATION MARKED IN THIS AREA. (SIZE 1 THROUGH 5 ONLY)
4. CONNECTOR ASSEMBLY WITHOUT CONTACTS, MFG'S P/N 204370-2. MUST BE ORDERED SEPARATELY.
5. CONNECTOR ASSEMBLY SUPPLIED WITH CONTACTS, MFG'S P/N 204370-2. PACKAGED IN A SEPARATE CONTAINER. QTY = NO. OF POSN. (SEE TABLE).



| MARKING | M24308/4-16Z | M24308/4-15Z | M24308/4-14Z | M24308/4-13Z | M24308/4-12Z | M24308/4-11Z | M24308/4-269Z | M24308/4-268Z | M24308/4-267Z | M24308/4-266Z | M24308/4-265Z | M24308/4-264Z | REMARKS | MILITARY P/N ON PACKAGE | MILITARY P/N ON CONNECTOR | MARKED MFG'S PART NUMBER | L | J | H | G | F | E | D | C | B | A | INSERT ARRANGEMENT | NO OF POS | SHELL SIZE | PART NUMBER |
|---------|--------------|--------------|--------------|--------------|--------------|--------------|---------------|---------------|---------------|---------------|---------------|---------------|---------|-------------------------|---------------------------|--------------------------|-------------|--------------|---------------|-------------|--------------|--------------|--------------|---------------|---------------|---------------|--------------------|-----------|------------|-------------|
| 5 | | | | | | | | | | | | | | | | | .049 [1.24] | .606 [15.39] | 2.312 [58.72] | .236 [5.99] | .436 [11.07] | .683 [17.35] | .508 [12.90] | 2.505 [63.63] | 2.217 [56.31] | 2.744 [69.70] | MS14004-1 | 104 | 6 | 1-1757823-2 |
| 5 | | | | | | | | | | | | | | | | | .049 [1.24] | .544 [13.82] | 2.188 [55.58] | .236 [5.99] | .436 [11.07] | .620 [15.75] | .446 [11.33] | 2.411 [61.24] | 2.084 [52.93] | 2.650 [67.31] | MS18277-2 | 78 | 5 | 1-1757823-1 |
| 5 | | | | | | | | | | | | | | | | | .049 [1.24] | .432 [10.97] | 2.282 [57.96] | .236 [5.99] | .436 [11.07] | .509 [12.93] | .334 [8.48] | 2.505 [63.63] | 2.187 [55.55] | 2.744 [69.70] | MS18276-2 | 62 | 4 | 1-1757823-0 |
| 5 | | | | | | | | | | | | | | | | | .049 [1.24] | .432 [10.97] | 1.635 [41.53] | .236 [5.99] | .436 [11.07] | .509 [12.93] | .334 [8.48] | 1.857 [47.17] | 1.539 [39.09] | 2.103 [53.42] | MS18275-2 | 44 | 3 | 1757823-9 |
| 5 | | | | | | | | | | | | | | | | | .040 [1.02] | .432 [10.97] | 1.093 [27.76] | .238 [6.05] | .432 [10.97] | .509 [12.93] | .334 [8.48] | 1.317 [33.45] | .999 [25.37] | 1.556 [39.52] | MS18274-2 | 26 | 2 | 1757823-8 |
| 5 | | | | | | | | | | | | | | | | | .040 [1.02] | .432 [10.97] | .769 [19.53] | .238 [6.05] | .432 [10.97] | .509 [12.93] | .334 [8.48] | .989 [25.12] | .671 [17.04] | 1.228 [31.19] | MS18273-2 | 15 | 1 | 1757823-7 |
| 4 | | | | | | | | | | | | | | | | | .049 [1.24] | .606 [15.39] | 2.312 [58.72] | .236 [5.99] | .436 [11.07] | .683 [17.35] | .508 [12.90] | 2.505 [63.63] | 2.217 [56.31] | 2.744 [69.70] | MS14004-1 | 104 | 6 | 1757823-6 |
| 4 | | | | | | | | | | | | | | | | | .049 [1.24] | .544 [13.82] | 2.188 [55.58] | .236 [5.99] | .436 [11.07] | .620 [15.75] | .446 [11.33] | 2.411 [61.24] | 2.084 [52.93] | 2.650 [67.31] | MS18277-2 | 78 | 5 | 1757823-5 |
| 4 | | | | | | | | | | | | | | | | | .049 [1.24] | .432 [10.97] | 2.282 [57.96] | .236 [5.99] | .436 [11.07] | .509 [12.93] | .334 [8.48] | 2.505 [63.63] | 2.187 [55.55] | 2.744 [69.70] | MS18276-2 | 62 | 4 | 1757823-4 |
| 4 | | | | | | | | | | | | | | | | | .049 [1.24] | .432 [10.97] | 1.635 [41.53] | .236 [5.99] | .436 [11.07] | .509 [12.93] | .334 [8.48] | 1.857 [47.17] | 1.539 [39.09] | 2.103 [53.42] | MS18275-2 | 44 | 3 | 1757823-3 |
| 4 | | | | | | | | | | | | | | | | | .040 [1.02] | .432 [10.97] | 1.093 [27.76] | .238 [6.05] | .432 [10.97] | .509 [12.93] | .334 [8.48] | 1.317 [33.45] | .999 [25.37] | 1.556 [39.52] | MS18274-2 | 26 | 2 | 1757823-2 |
| 4 | | | | | | | | | | | | | | | | | .040 [1.02] | .432 [10.97] | .769 [19.53] | .238 [6.05] | .432 [10.97] | .509 [12.93] | .334 [8.48] | .989 [25.12] | .671 [17.04] | 1.228 [31.19] | MS18273-2 | 15 | 1 | 1757823-1 |

THIS DRAWING IS A CONTROLLED DOCUMENT.

DTN: C.C. THOMAS 6-3-05
 CHK: D. MILLER 6-8-05
 APP'D: D. MILLER 6-8-05

STE TE Connectivity

AMPLIMITE PLUG ASSY, SIZE 1 THRU 6 SERIES 90 WITH ZINC PLATED SHELLS

SIZE: A1 CAGE CODE: 00779 DRAWING NO: 1757823

SCALE: 4:1 SHEET 1 OF 1

Mouser Electronics

Authorized Distributor

Click to View Pricing, Inventory, Delivery & Lifecycle Information:

[TE Connectivity:](#)

[1757823-1](#)