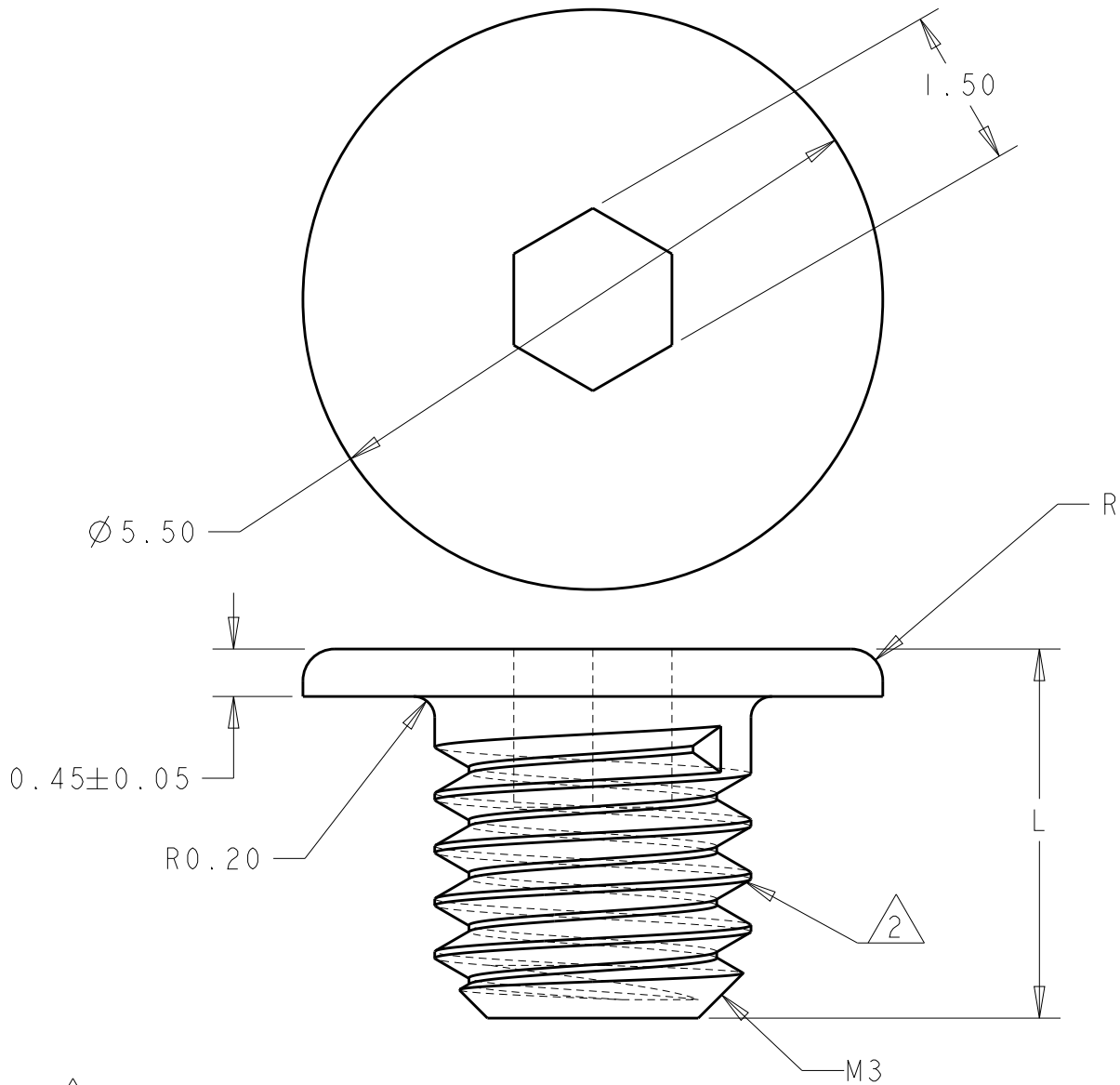


REVISIONS					
P	LTR	DESCRIPTION	DATE	DWN	APVD
	DI	REV PER ECR-16-001046	25JAN2016	ML	SZ



1 MATERIAL: STAINLESS STEEL

2 YELLOW THREAD LOCKER APPLIED ON PORTION OF THREADS.

4.50	1410946-3
5.50	1410946-2
3.50	1410946-1
L	PART NUMBER

20  
 RELEASED FOR PUBLICATION  
 ALL RIGHTS RESERVED.  
 BY -  
 THIS DRAWING IS UNPUBLISHED.  
 COPYRIGHT 20

DIMENSIONS: mm		DWN R. TREA	03AUG2004	MATERIAL	1 -	FINISH	-
TOLERANCES UNLESS OTHERWISE SPECIFIED:		CHK G.GRIFFITH	03AUG2004	TE Connectivity			
		APVD G.GRIFFITH	03AUG2004				
0 PLC ±-		PRODUCT SPEC		NAME			
1 PLC ±-		-		SOC. HD CAP SCREW			
2 PLC ±0.13		APPLICATION SPEC		CUSTOMIZED			
3 PLC ±0.013		-		SIZE	CAGE CODE	DRAWING NO	RESTRICTED TO
4 PLC ±-		-		A4	-	C-1410946	-
ANGLES ±-		WEIGHT		CUSTOMER DRAWING			
		-		SCALE	12:1	SHEET	1 OF 1
				REV			
				DI			

# Mouser Electronics

Authorized Distributor

Click to View Pricing, Inventory, Delivery & Lifecycle Information:

[TE Connectivity:](#)

[1410946-1](#)