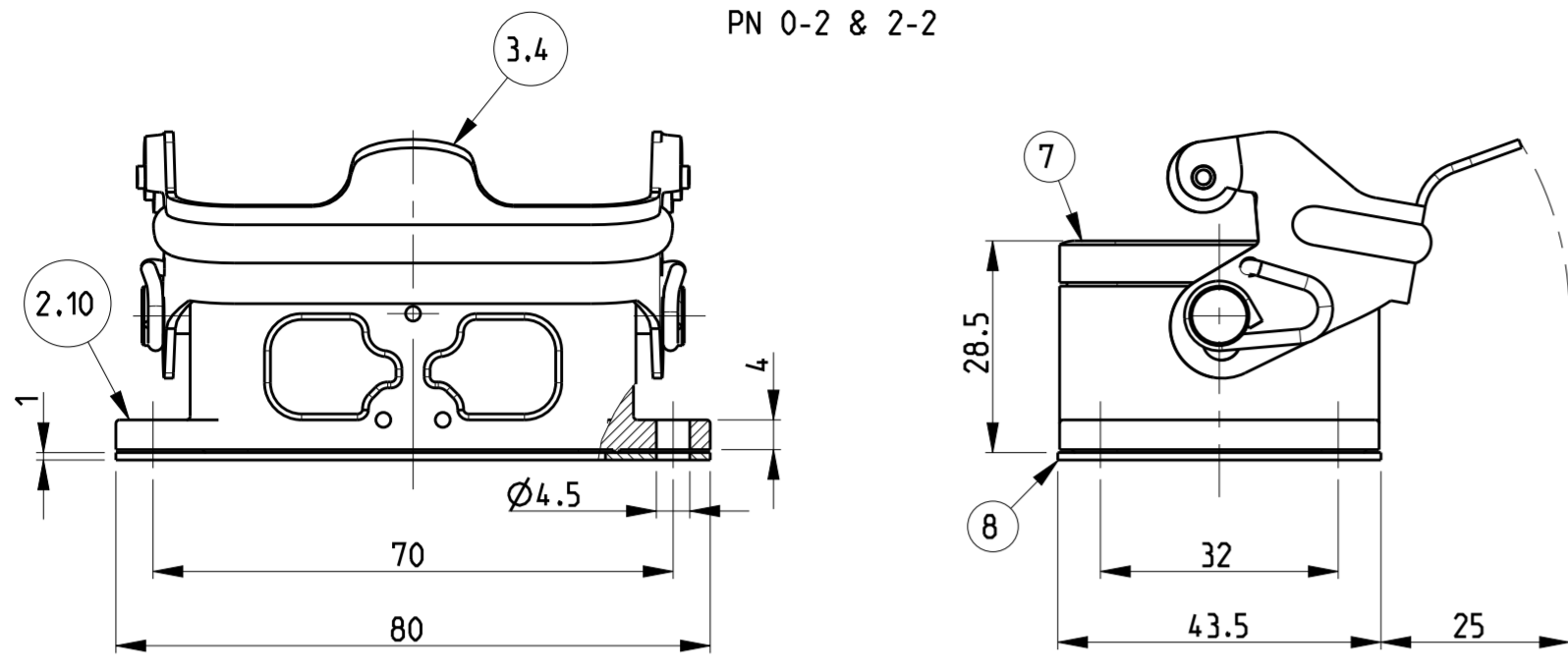


THIS DRAWING IS UNPUBLISHED. RELEASED FOR PUBLICATION .1997
 © COPYRIGHT 1997 BY - ALL RIGHTS RESERVED.

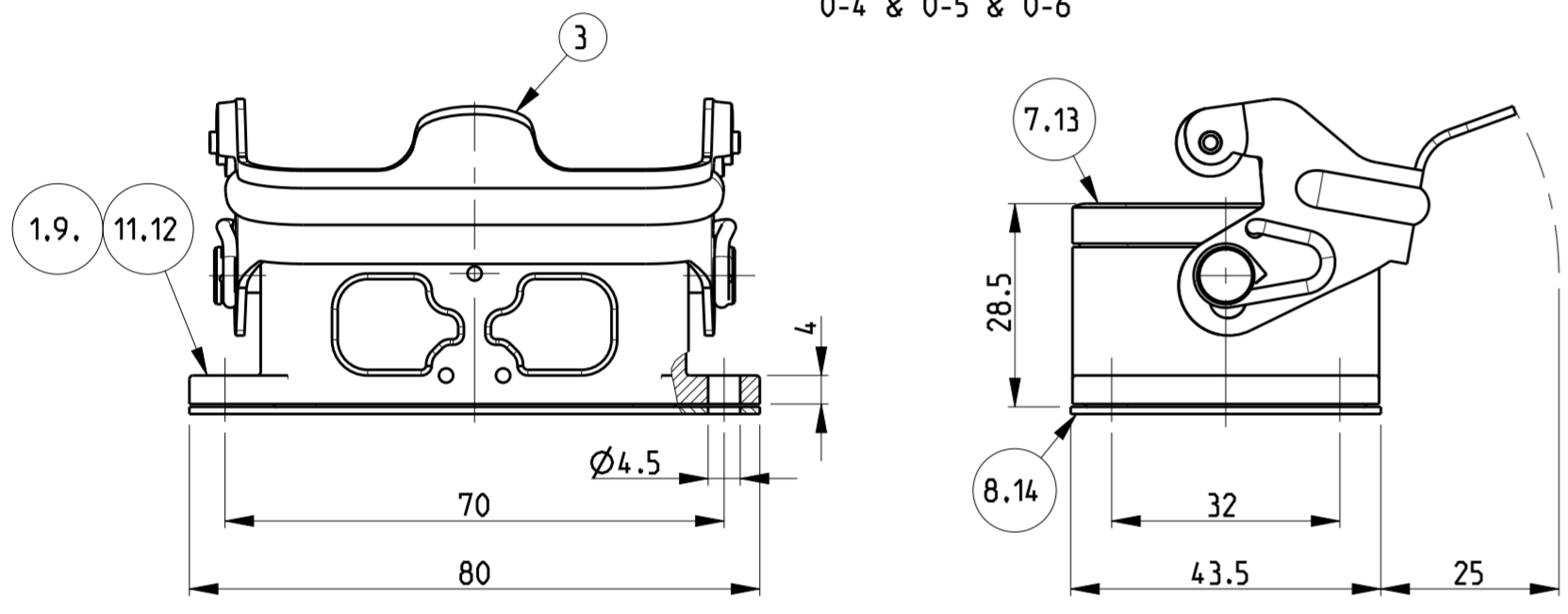
| REVISIONS | | | | |
|-----------|-----|---------------|-----------|--------|
| P | LTR | DESCRIPTION | DATE | APVD |
| A8 | | ECR - 001736 | 17SEP2009 | GW ST |
| B | | ECR-15-015803 | 19APR2016 | GCM JB |
| B1 | | ECR-16-015318 | 16AUG2017 | GR MKO |
| B2 | | ECR-16-016768 | 15NOV2017 | GR MKO |

- NOTES.
- 1 Material:Housing:Aluminium Diecasting Alloy
Seals: Neoprene
 - 2 Surface-Varnish Grey
-Aluminium Oxide +
Varnish Black
 - 3 Varnish on the inside not necessary
 - 4 Packaging
Quantity 5 Pieces in a box

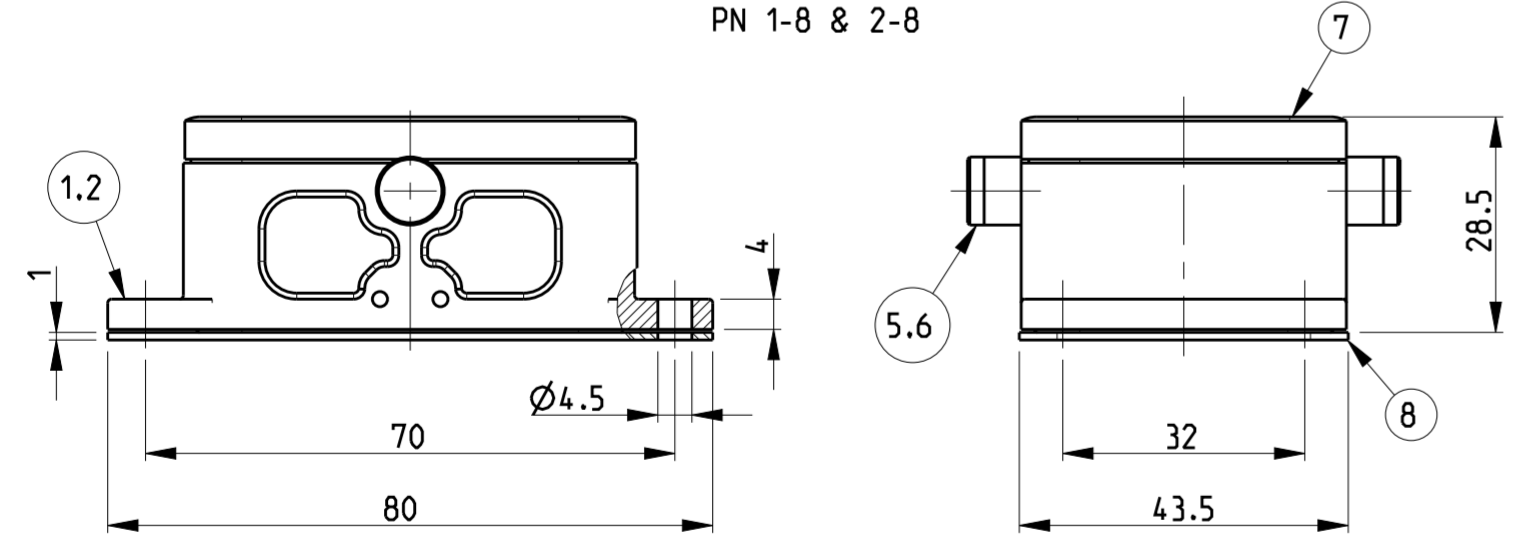
PN 0-2 & 2-2



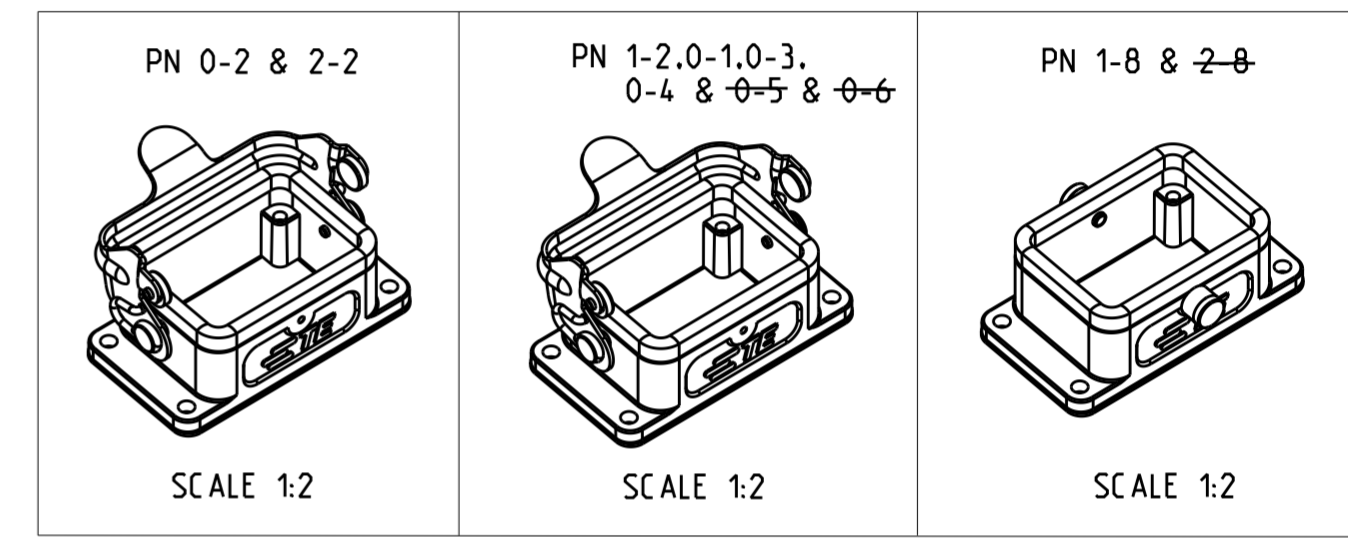
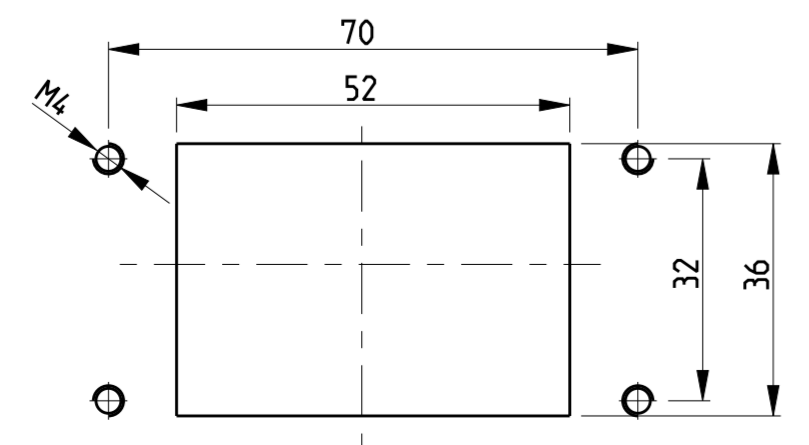
PN 1-2.0-1.0-3.0-4 & 0-5 & 0-6



PN 1-8 & 2-8



Panel cut-out



| QTY | DESCRIPTION | MATERIAL | SURFACE | COLOR | ITEM NO | NOTES |
|-----|---|-----------------|-----------------|-----------------|---------|--------------|
| 1 | Flange seal | Viton | | | 14 | |
| 1 | Profile seal | Viton | | | 13 | |
| 1 | Surface mounted housing bottom entry HB | Aluminium | | White RAL 9010 | 12 | Without logo |
| 1 | Surface mounted housing bottom entry HB | Aluminium | | Grey | 11 | Without logo |
| 1 | Surface mounted housing bottom entry HB | Aluminium | | Without varnish | 10 | |
| 1 | Surface mounted housing bottom entry HB | Aluminium | | Borning ried | 9 | |
| 1 | Flange seal | Neoprene | | Black | 8 | |
| 1 | Profile seal | Neoprene | | Black | 7 | |
| 2 | ZB-Clip bolt | Stainless steel | | | 6 | |
| 2 | ZB-Clip bolt | Steel | Zinc plated | Blue | 5 | |
| 1 | LB-Side clip | Stainless steel | | | 4 | |
| 1 | LB-Side clip | Steel | Zinc plated | Blue | 3 | |
| 1 | Surface mounted housing bottom entry HB-K | Aluminium | Aluminium oxide | Black | 2 | |
| 1 | Surface mounted housing bottom entry HB | Aluminium | | Grey | 1 | |

ORDERING TEXT
 HB.6.AG-LB
 HB-K.6.AG-LB
 HB-Z.6.AG-ZVGR
 HB-K/Z.6.AG-ZVGR
 HB.6.AG-LB
 HB.6.AG-LB
 HB.6.AG-LB
 HB.6.AG-LB
 HB.6.AG-LB.KM
 HB.6.AG-LB
 HB.6.AG-LB

THIS DRAWING IS A CONTROLLED DOCUMENT. DWN Schweiger 23.07.1997
 CHK Kramer 26.06.1998

DIMENSIONS: mm TOLERANCES UNLESS OTHERWISE SPECIFIED: ±0.10 mm

MATERIAL FINISH

PRODUCT SPEC 108-74001/74003
 APPLICATION SPEC 114-74004/74005

WEIGHT -

CUSTOMER DRAWING

NAME Surface mounted housing bottom entry HB6

SIZE A2 CAGE CODE 00779 DRAWING NO C-1102244 RESTRICTED TO

SCALE 1:1 SHEET 1 OF 1 REV B2

Mouser Electronics

Authorized Distributor

Click to View Pricing, Inventory, Delivery & Lifecycle Information:

[TE Connectivity:](#)

[1-1102244-2](#)