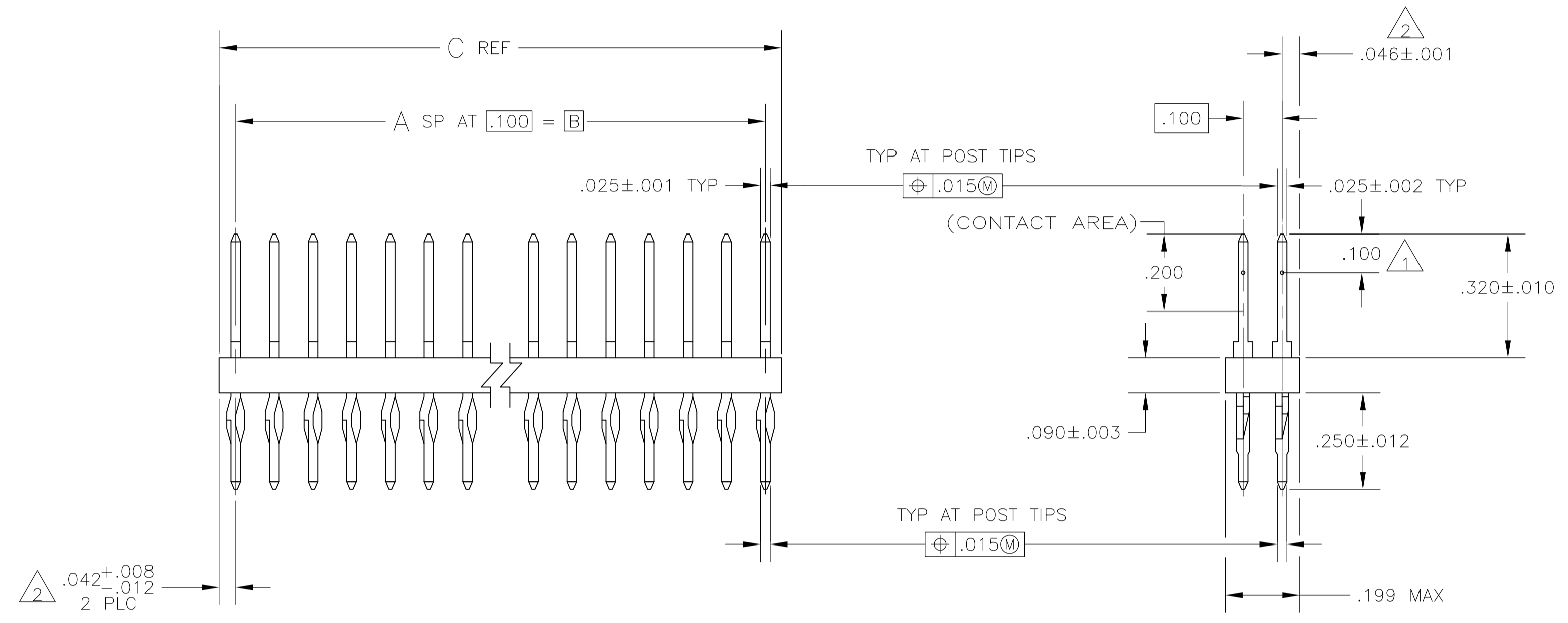
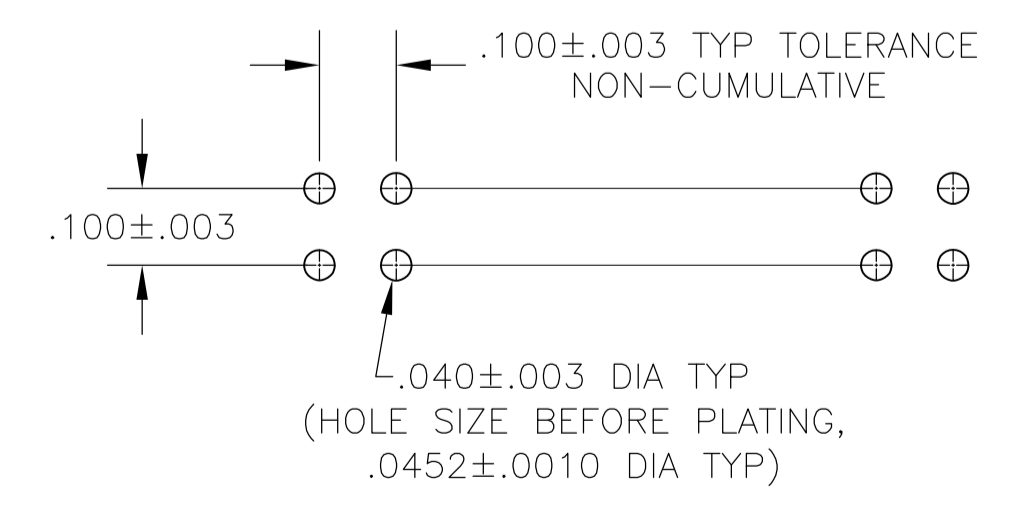


REVISIONS					
P	LTR	DESCRIPTION	DATE	DMN	APVD
H4		HSG WIDTH DIM CORRECTED TO .199 MAX	18JAN2017	RP	PS



- 1 POINT OF MEASUREMENT FOR PLATING THICKNESS.
- 2 THE NOTED DIMENSIONS APPLY AT THE INTERSECTION OF THE POST AND HOUSING.
- 3 TRUE POSITION TOLERANCE OF THE POST TIPS APPLIES WHEN THE HEADERS ARE HELD FLAT AGAINST THE PRINTED CIRCUIT BOARD.
- 4 FINISH: POSTS, .000030 GOLD IN CONTACT AREA, .000100-.000200 MATTE TIN-LEAD ON SOLDER TAIL, ALL OVER .000050 NICKEL.
- 5 FINISH: POSTS, .000030 GOLD IN CONTACT AREA, .000100-.000200 MATTE TIN ON SOLDER TAIL, ALL OVER .000050 NICKEL.
- 6 OBSOLETE PARTS: OBSOLETE CIS STREAMLINING PER D.RENAUD/D.SINISI.



RECOMMENDED HOLE LAYOUT

PLATING	C	B	A	NO OF POSN	ASSEMBLY PART NUMBER
OBSOLETE	3.984	3.900	39	80	8-103233-9
OBSOLETE	2.984	2.900	29	60	7-103233-9
OBSOLETE	2.484	2.400	24	50	7-103233-4
OBSOLETE	2.084	2.000	20	42	7-103233-0
OBSOLETE	1.984	1.900	19	40	6-103233-9
OBSOLETE	1.884	1.800	18	38	6-103233-8
OBSOLETE	1.784	1.700	17	36	6-103233-7
OBSOLETE	1.684	1.600	16	34	6-103233-6
OBSOLETE	1.584	1.500	15	32	6-103233-5
OBSOLETE	1.484	1.400	14	30	6-103233-4
OBSOLETE	1.384	1.300	13	28	6-103233-3
OBSOLETE	1.284	1.200	12	26	6-103233-2
OBSOLETE	1.184	1.100	11	24	6-103233-1
OBSOLETE	1.084	1.000	10	22	6-103233-0
OBSOLETE	.984	.900	9	20	5-103233-9
OBSOLETE	.884	.800	8	18	5-103233-8
OBSOLETE	.784	.700	7	16	5-103233-7
OBSOLETE	.684	.600	6	14	5-103233-6
OBSOLETE	.584	.500	5	12	5-103233-5
OBSOLETE	.484	.400	4	10	5-103233-4
OBSOLETE	.384	.300	3	8	5-103233-3
OBSOLETE	.284	.200	2	6	5-103233-2
OBSOLETE	.184	.100	1	4	5-103233-1

PLATING	C	B	A	NO OF POSN	ASSEMBLY PART NUMBER
OBSOLETE	3.984	3.900	39	80	3-103233-9
OBSOLETE	3.884	3.800	38	78	3-103233-8
OBSOLETE	3.784	3.700	37	76	3-103233-7
OBSOLETE	3.684	3.600	36	74	3-103233-6
OBSOLETE	3.584	3.500	35	72	3-103233-5
OBSOLETE	3.484	3.400	34	70	3-103233-4
OBSOLETE	3.384	3.300	33	68	3-103233-3
OBSOLETE	3.284	3.200	32	66	3-103233-2
OBSOLETE	3.184	3.100	31	64	3-103233-1
OBSOLETE	3.084	3.000	30	62	3-103233-0
OBSOLETE	2.984	2.900	29	60	2-103233-9
OBSOLETE	2.884	2.800	28	58	2-103233-8
OBSOLETE	2.784	2.700	27	56	2-103233-7
OBSOLETE	2.684	2.600	26	54	2-103233-6
OBSOLETE	2.584	2.500	25	52	2-103233-5
OBSOLETE	2.484	2.400	24	50	2-103233-4
OBSOLETE	2.384	2.300	23	48	2-103233-3
OBSOLETE	2.284	2.200	22	46	2-103233-2
OBSOLETE	2.184	2.100	21	44	2-103233-1
OBSOLETE	2.084	2.000	20	42	2-103233-0
OBSOLETE	1.984	1.900	19	40	1-103233-9
OBSOLETE	1.884	1.800	18	38	1-103233-8
OBSOLETE	1.784	1.700	17	36	1-103233-7
OBSOLETE	1.684	1.600	16	34	1-103233-6
OBSOLETE	1.584	1.500	15	32	1-103233-5
OBSOLETE	1.484	1.400	14	30	1-103233-4
OBSOLETE	1.384	1.300	13	28	1-103233-3
OBSOLETE	1.284	1.200	12	26	1-103233-2
OBSOLETE	1.184	1.100	11	24	1-103233-1
OBSOLETE	1.084	1.000	10	22	1-103233-0
OBSOLETE	.984	.900	9	20	103233-9
OBSOLETE	.884	.800	8	18	103233-8
OBSOLETE	.784	.700	7	16	103233-7
OBSOLETE	.684	.600	6	14	103233-6
OBSOLETE	.584	.500	5	12	103233-5
OBSOLETE	.484	.400	4	10	103233-4
OBSOLETE	.384	.300	3	8	103233-3
OBSOLETE	.284	.200	2	6	103233-2
OBSOLETE	.184	.100	1	4	103233-1

THIS DRAWING IS A CONTROLLED DOCUMENT.

APPROVED: H. MOLL (15 JULY 87), L.A. MAYER (16 JULY 87), T.C. CLARK (17 JULY 87)

NAME: HDR ASSY, MOD II
UNSHRD COMP PIN, DUAL ROW
.100 X .100 C/L, .025 SQ POSTS

SIZE: A1
CAGE CODE: 00779
DRAWING NO: 103233

WEIGHT: -
CUSTOMER DRAWING

SCALE: 4:1
SHEET: 1 OF 1
REV: H4

Mouser Electronics

Authorized Distributor

Click to View Pricing, Inventory, Delivery & Lifecycle Information:

[TE Connectivity:](#)

[103233-2](#)