

CAT25128

EEPROM Serial 128-Kb SPI

Description

The CAT25128 is a 128-Kb Serial CMOS EEPROM device internally organized as 16Kx8 bits. This features a 64-byte page write buffer and supports the Serial Peripheral Interface (SPI) protocol. The device is enabled through a Chip Select (\overline{CS}) input. In addition, the required bus signals are clock input (SCK), data input (SI) and data output (SO) lines. The \overline{HOLD} input may be used to pause any serial communication with the CAT25128 device. The device features software and hardware write protection, including partial as well as full array protection.

On-Chip ECC (Error Correction Code) makes the device suitable for high reliability applications.*

Features

- 20 MHz SPI Compatible
- 1.8 V to 5.5 V Supply Voltage Range
- SPI Modes (0,0) & (1,1)
- 64-byte Page Write Buffer
- Additional Identification Page with Permanent Write Protection
- Self-timed Write Cycle
- Hardware and Software Protection
- Block Write Protection
 - Protect 1/4, 1/2 or Entire EEPROM Array
- Low Power CMOS Technology
- 1,000,000 Program/Erase Cycles
- 100 Year Data Retention
- Industrial and Extended Temperature Range
- 8-lead SOIC, TSSOP and 8-pad, UDFN Packages
- This Device is Pb-Free, Halogen Free/BFR Free, and RoHS Compliant

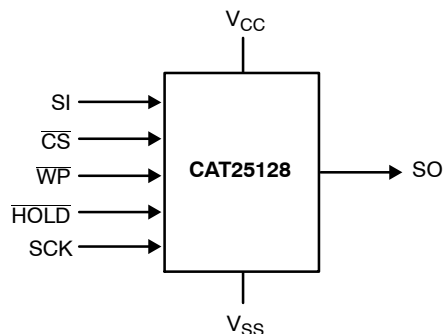


Figure 1. Functional Symbol



ON Semiconductor®

www.onsemi.com



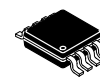
SOIC-8
V SUFFIX
CASE 751BD



UDFN-8
HU4 SUFFIX
CASE 517AZ

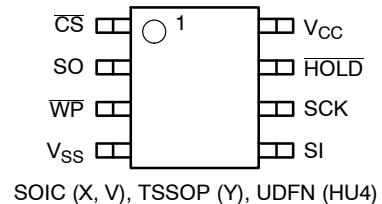


TSSOP-8
Y SUFFIX
CASE 948AL



SOIC-8 WIDE
X SUFFIX
CASE 751BE

PIN CONFIGURATION



PIN FUNCTION

| Pin Name† | Function |
|-------------------|-------------------------|
| \overline{CS} | Chip Select |
| SO | Serial Data Output |
| \overline{WP} | Write Protect |
| V_{SS} | Ground |
| SI | Serial Data Input |
| SCK | Serial Clock |
| \overline{HOLD} | Hold Transmission Input |
| V_{CC} | Power Supply |

†The exposed pad for the TDFN/UDFN packages can be left floating or connected to Ground.

ORDERING INFORMATION

See detailed ordering and shipping information in the package dimensions section on page 13 of this data sheet.

CAT25128

Table 1. ABSOLUTE MAXIMUM RATINGS

| Parameters | Ratings | Units |
|--|--------------|-------|
| Operating Temperature | -45 to +130 | °C |
| Storage Temperature | -65 to +150 | °C |
| Voltage on any Pin with Respect to Ground (Note 1) | -0.5 to +6.5 | V |

Stresses exceeding those listed in the Maximum Ratings table may damage the device. If any of these limits are exceeded, device functionality should not be assumed, damage may occur and reliability may be affected.

- The DC input voltage on any pin should not be lower than -0.5 V or higher than $V_{CC} + 0.5$ V. During transitions, the voltage on any pin may undershoot to no less than -1.5 V or overshoot to no more than $V_{CC} + 1.5$ V, for periods of less than 20 ns.

Table 2. RELIABILITY CHARACTERISTICS (Note 2)

| Symbol | Parameter | Min | Units |
|------------------------|----------------|-----------|------------------------|
| N_{END} (Notes 3, 4) | Endurance | 1,000,000 | Program / Erase Cycles |
| T_{DR} | Data Retention | 100 | Years |

- These parameters are tested initially and after a design or process change that affects the parameter according to appropriate AEC-Q100 and JEDEC test methods.

- Page Mode, $V_{CC} = 5$ V, 25°C.

- The new product revision (E) uses ECC (Error Correction Code) logic with 6 ECC bits to correct one bit error in 4 data bytes. Therefore, when a single byte has to be written, 4 bytes (including the ECC bits) are re-programmed. It is recommended to write by multiple of 4 bytes in order to benefit from the maximum number of write cycles.

Table 3. D.C. OPERATING CHARACTERISTICS – MATURE PRODUCT

($V_{CC} = 1.8$ V to 5.5 V, $T_A = -40$ °C to +85°C and $V_{CC} = 2.5$ V to 5.5 V, $T_A = -40$ °C to +125°C, unless otherwise specified.)

| Symbol | Parameter | Test Conditions | Min | Max | Units | |
|-----------|-----------------------------|---|--------------------------|----------------|-------|----|
| I_{CCR} | Supply Current (Read Mode) | Read, $V_{CC} = 5.5$ V, SO open | 10 MHz / -40°C to 85°C | 2 | mA | |
| | | | 5 MHz / -40°C to 125°C | 2 | | |
| I_{CCW} | Supply Current (Write Mode) | Write, $V_{CC} = 5.5$ V, SO open | 10 MHz / -40°C to 85°C | 4 | mA | |
| | | | 5 MHz / -40°C to 125°C | 4 | | |
| I_{SB1} | Standby Current | $V_{IN} = GND$ or V_{CC} , $\overline{CS} = V_{CC}$, $\overline{WP} = V_{CC}$, HOLD = V_{CC} , $V_{CC} = 5.5$ V | $T_A = -40$ °C to +85°C | 1 | µA | |
| | | | $T_A = -40$ °C to +125°C | 3 | | |
| I_{SB2} | Standby Current | $V_{IN} = GND$ or V_{CC} , $\overline{CS} = V_{CC}$, $\overline{WP} = GND$, HOLD = GND, $V_{CC} = 5.5$ V | $T_A = -40$ °C to +85°C | 4 | µA | |
| | | | $T_A = -40$ °C to +125°C | 5 | | |
| I_L | Input Leakage Current | $V_{IN} = GND$ or V_{CC} | -2 | 2 | µA | |
| I_{LO} | Output Leakage Current | $\overline{CS} = V_{CC}$, $V_{OUT} = GND$ or V_{CC} | $T_A = -40$ °C to +85°C | -1 | 1 | µA |
| | | | $T_A = -40$ °C to +125°C | -1 | 2 | µA |
| V_{IL} | Input Low Voltage | | -0.5 | $0.3 V_{CC}$ | V | |
| V_{IH} | Input High Voltage | | $0.7 V_{CC}$ | $V_{CC} + 0.5$ | V | |
| V_{OL1} | Output Low Voltage | $V_{CC} > 2.5$ V, $I_{OL} = 3.0$ mA | | 0.4 | V | |
| V_{OH1} | Output High Voltage | $V_{CC} > 2.5$ V, $I_{OH} = -1.6$ mA | $V_{CC} - 0.8$ V | | V | |
| V_{OL2} | Output Low Voltage | $V_{CC} > 1.8$ V, $I_{OL} = 150$ µA | | 0.2 | V | |
| V_{OH2} | Output High Voltage | $V_{CC} > 1.8$ V, $I_{OH} = -100$ µA | $V_{CC} - 0.2$ V | | V | |

Product parametric performance is indicated in the Electrical Characteristics for the listed test conditions, unless otherwise noted. Product performance may not be indicated by the Electrical Characteristics if operated under different conditions.

CAT25128

Table 4. D.C. OPERATING CHARACTERISTICS – NEW PRODUCT (Rev E)

($V_{CC} = 1.8\text{ V to }5.5\text{ V}$, $T_A = -40^\circ\text{C to }+85^\circ\text{C}$ and $V_{CC} = 2.5\text{ V to }5.5\text{ V}$, $T_A = -40^\circ\text{C to }+125^\circ\text{C}$, unless otherwise specified.)

| Symbol | Parameter | Test Conditions | | Min | Max | Units | |
|-----------|-----------------------------|--|---|-------------------------|----------------|---------------|---------------|
| I_{CCR} | Supply Current (Read Mode) | Read, SO open / $-40^\circ\text{C to }+85^\circ\text{C}$ | $V_{CC} = 1.8\text{ V}$, $f_{SCK} = 5\text{ MHz}$ | | 0.8 | mA | |
| | | | $V_{CC} = 2.5\text{ V}$, $f_{SCK} = 10\text{ MHz}$ | | 1.2 | | |
| | | | $V_{CC} = 5.5\text{ V}$, $f_{SCK} = 20\text{ MHz}$ | | 3.0 | | |
| | | Read, SO open / $-40^\circ\text{C to }+125^\circ\text{C}$ | $2.5\text{ V} < V_{CC} < 5.5\text{ V}$, $f_{SCK} = 10\text{ MHz}$ | | 2.0 | | |
| I_{CCW} | Supply Current (Write Mode) | Write, $\overline{CS} = V_{CC}$ / $-40^\circ\text{C to }+85^\circ\text{C}$ | $V_{CC} = 1.8\text{ V}$ | | 1.5 | mA | |
| | | | $V_{CC} = 2.5\text{ V}$ | | 2 | | |
| | | | $V_{CC} = 5.5\text{ V}$ | | 2 | | |
| | | Write, $\overline{CS} = V_{CC}$ / $-40^\circ\text{C to }+125^\circ\text{C}$ | $2.5\text{ V} < V_{CC} < 5.5\text{ V}$ | | 2 | | |
| I_{SB1} | Standby Current | $V_{IN} = \text{GND or } V_{CC}$, $\overline{CS} = V_{CC}$, $\overline{WP} = V_{CC}$, $V_{CC} = 5.5\text{ V}$ | $T_A = -40^\circ\text{C to }+85^\circ\text{C}$ | | 1 | μA | |
| | | | $T_A = -40^\circ\text{C to }+125^\circ\text{C}$ | | 3 | | |
| I_{SB2} | Standby Current | $V_{IN} = \text{GND or } V_{CC}$, $\overline{CS} = V_{CC}$, $\overline{WP} = \text{GND}$, $V_{CC} = 5.5\text{ V}$ | $T_A = -40^\circ\text{C to }+85^\circ\text{C}$ | | 3 | μA | |
| | | | $T_A = -40^\circ\text{C to }+125^\circ\text{C}$ | | 5 | | |
| I_L | Input Leakage Current | $V_{IN} = \text{GND or } V_{CC}$ | | -2 | 2 | μA | |
| I_{LO} | Output Leakage Current | $\overline{CS} = V_{CC}$ $V_{OUT} = \text{GND or } V_{CC}$ | $T_A = -40^\circ\text{C to }+85^\circ\text{C}$ | | -1 | 1 | μA |
| | | | $T_A = -40^\circ\text{C to }+125^\circ\text{C}$ | | -1 | 2 | |
| V_{IL1} | Input Low Voltage | $V_{CC} \geq 2.5\text{ V}$ | | -0.5 | $0.3 V_{CC}$ | V | |
| V_{IH1} | Input High Voltage | $V_{CC} \geq 2.5\text{ V}$ | | $0.7 V_{CC}$ | $V_{CC} + 0.5$ | V | |
| V_{IL2} | Input Low Voltage | $V_{CC} < 2.5\text{ V}$ | | -0.5 | $0.25 V_{CC}$ | V | |
| V_{IH2} | Input High Voltage | $V_{CC} < 2.5\text{ V}$ | | $0.75 V_{CC}$ | $V_{CC} + 0.5$ | V | |
| V_{OL1} | Output Low Voltage | $V_{CC} \geq 2.5\text{ V}$, $I_{OL} = 3.0\text{ mA}$ | | | 0.4 | V | |
| V_{OH1} | Output High Voltage | $V_{CC} \geq 2.5\text{ V}$, $I_{OH} = -1.6\text{ mA}$ | | $V_{CC} - 0.8\text{ V}$ | | V | |
| V_{OL2} | Output Low Voltage | $V_{CC} < 2.5\text{ V}$, $I_{OL} = 150\text{ }\mu\text{A}$ | | | 0.2 | V | |
| V_{OH2} | Output High Voltage | $V_{CC} < 2.5\text{ V}$, $I_{OH} = -100\text{ }\mu\text{A}$ | | $V_{CC} - 0.2\text{ V}$ | | V | |

Table 5. PIN CAPACITANCE (Note 5) ($T_A = 25^\circ\text{C}$, $f = 1.0\text{ MHz}$, $V_{CC} = +5.0\text{ V}$)

| Symbol | Test | Conditions | Min | Typ | Max | Units |
|-----------|--|------------------------|-----|-----|-----|-------|
| C_{OUT} | Output Capacitance (SO) | $V_{OUT} = 0\text{ V}$ | | | 8 | pF |
| C_{IN} | Input Capacitance (\overline{CS} , SCK, SI, \overline{WP} , HOLD) | $V_{IN} = 0\text{ V}$ | | | 8 | pF |

5. These parameters are tested initially and after a design or process change that affects the parameter according to appropriate AEC-Q100 and JEDEC test methods.

CAT25128

Table 6. A.C. CHARACTERISTICS – MATURE PRODUCT

($T_A = -40^\circ\text{C}$ to $+85^\circ\text{C}$ (Industrial) and $T_A = -40^\circ\text{C}$ to $+125^\circ\text{C}$ (Extended).) (Notes 6, 9)

| Symbol | Parameter | $V_{CC} = 1.8\text{ V} - 5.5\text{ V} / -40^\circ\text{C to }+85^\circ\text{C}$ $V_{CC} = 2.5\text{ V} - 5.5\text{ V} / -40^\circ\text{C to }+125^\circ\text{C}$ | | $V_{CC} = 2.5\text{ V} - 5.5\text{ V}$ $-40^\circ\text{C to }+85^\circ\text{C}$ | | Units |
|-------------------|-------------------------------------|---|-----|--|-----|---------------|
| | | Min | Max | Min | Max | |
| f_{SCK} | Clock Frequency | DC | 5 | DC | 10 | MHz |
| t_{SU} | Data Setup Time | 40 | | 20 | | ns |
| t_H | Data Hold Time | 40 | | 20 | | ns |
| t_{WH} | SCK High Time | 75 | | 40 | | ns |
| t_{WL} | SCK Low Time | 75 | | 40 | | ns |
| t_{LZ} | \overline{HOLD} to Output Low Z | | 50 | | 25 | ns |
| t_{RI} (Note 7) | Input Rise Time | | 2 | | 2 | μs |
| t_{FI} (Note 7) | Input Fall Time | | 2 | | 2 | μs |
| t_{HD} | \overline{HOLD} Setup Time | 0 | | 0 | | ns |
| t_{CD} | \overline{HOLD} Hold Time | 10 | | 10 | | ns |
| t_V | Output Valid from Clock Low | | 75 | | 40 | ns |
| t_{HO} | Output Hold Time | 0 | | 0 | | ns |
| t_{DIS} | Output Disable Time | | 50 | | 20 | ns |
| t_{HZ} | \overline{HOLD} to Output High Z | | 100 | | 25 | ns |
| t_{CS} | \overline{CS} High Time | 140 | | 70 | | ns |
| t_{CSS} | \overline{CS} Setup Time | 30 | | 15 | | ns |
| t_{CSH} | \overline{CS} Hold Time | 30 | | 15 | | ns |
| t_{CNS} | \overline{CS} Inactive Setup Time | 20 | | 15 | | ns |
| t_{CNH} | \overline{CS} Inactive Hold Time | 20 | | 15 | | ns |
| t_{WPS} | \overline{WP} Setup Time | 10 | | 10 | | ns |
| t_{WPH} | \overline{WP} Hold Time | 100 | | 60 | | ns |
| t_{WC} (Note 8) | Write Cycle Time | | 5 | | 5 | ms |

6. AC Test Conditions:

Input Pulse Voltages: $0.3 V_{CC}$ to $0.7 V_{CC}$

Input rise and fall times: $\leq 10\text{ ns}$

Input and output reference voltages: $0.5 V_{CC}$

Output load: current source $I_{OL\text{ max}}/I_{OH\text{ max}}$; $C_L = 50\text{ pF}$

7. This parameter is tested initially and after a design or process change that affects the parameter.

8. t_{WC} is the time from the rising edge of \overline{CS} after a valid write sequence to the end of the internal write cycle.

9. **All Chip Select (CS) timing parameters are defined relative to the positive clock edge (Figure 2). t_{CSH} timing specification is valid for die revision D and higher. The die revision D is identified by letter "D" or a dedicated marking code on top of the package. For previous product revision (Rev.C) the t_{CSH} is defined relative to the negative clock edge.**

Table 7. POWER-UP TIMING (Notes 7, 10)

| Symbol | Parameter | Max | Units |
|-----------|-----------------------------|-----|-------|
| t_{PUR} | Power-up to Read Operation | 1 | ms |
| t_{PUW} | Power-up to Write Operation | 1 | ms |

10. t_{PUR} and t_{PUW} are the delays required from the time V_{CC} is stable until the specified operation can be initiated.

CAT25128

Table 8. A.C. CHARACTERISTICS – NEW PRODUCT (Rev E) ($V_{CC} = 1.8\text{ V to }5.5\text{ V}$, $T_A = -40^\circ\text{C to }+85^\circ\text{C}$ (Industrial) and $V_{CC} = 2.5\text{ V to }5.5\text{ V}$, $T_A = -40^\circ\text{C to }+125^\circ\text{C}$, unless otherwise specified.) (Note 11)

| Symbol | Parameter | $V_{CC} = 1.8\text{ V} - 5.5\text{ V}$ $-40^\circ\text{C to }+85^\circ\text{C}$ | | $V_{CC} = 2.5\text{ V} - 5.5\text{ V}$ $-40^\circ\text{C to }+125^\circ\text{C}$ | | $V_{CC} = 4.5\text{ V} - 5.5\text{ V}$ $-40^\circ\text{C to }+85^\circ\text{C}$ | | Units |
|--------------------|-------------------------------------|--|-----|---|-----|--|-----|---------------|
| | | Min | Max | Min | Max | Min | Max | |
| f_{SCK} | Clock Frequency | DC | 5 | DC | 10 | DC | 20 | MHz |
| t_{SU} | Data Setup Time | 20 | | 10 | | 5 | | ns |
| t_H | Data Hold Time | 20 | | 10 | | 5 | | ns |
| t_{WH} | SCK High Time | 75 | | 40 | | 20 | | ns |
| t_{WL} | SCK Low Time | 75 | | 40 | | 20 | | ns |
| t_{LZ} | HOLD to Output Low Z | | 50 | | 25 | | 25 | ns |
| t_{RI} (Note 12) | Input Rise Time | | 2 | | 2 | | 2 | μs |
| t_{FI} (Note 12) | Input Fall Time | | 2 | | 2 | | 2 | μs |
| t_{HD} | HOLD Setup Time | 0 | | 0 | | 0 | | ns |
| t_{CD} | HOLD Hold Time | 10 | | 10 | | 5 | | ns |
| t_V | Output Valid from Clock Low | | 75 | | 40 | | 20 | ns |
| t_{HO} | Output Hold Time | 0 | | 0 | | 0 | | ns |
| t_{DIS} | Output Disable Time | | 50 | | 20 | | 20 | ns |
| t_{HZ} | HOLD to Output High Z | | 100 | | 25 | | 25 | ns |
| t_{CS} | \overline{CS} High Time | 80 | | 40 | | 20 | | ns |
| t_{CSS} | \overline{CS} Setup Time | 30 | | 30 | | 15 | | ns |
| t_{CSH} | \overline{CS} Hold Time | 30 | | 30 | | 20 | | ns |
| t_{CNS} | \overline{CS} Inactive Setup Time | 20 | | 20 | | 15 | | ns |
| t_{CNH} | \overline{CS} Inactive Hold Time | 20 | | 20 | | 15 | | ns |
| t_{WPS} | WP Setup Time | 10 | | 10 | | 10 | | ns |
| t_{WPH} | \overline{WP} Hold Time | 10 | | 10 | | 10 | | ns |
| t_{WC} (Note 13) | Write Cycle Time | | 5 | | 5 | | 5 | ms |

11. AC Test Conditions:

Input Pulse Voltages: $0.3 V_{CC}$ to $0.7 V_{CC}$

Input rise and fall times: $\leq 10\text{ ns}$

Input and output reference voltages: $0.5 V_{CC}$

Output load: current source $I_{OL\text{ max}}/I_{OH\text{ max}}$; $C_L = 30\text{ pF}$

12. This parameter is tested initially and after a design or process change that affects the parameter.

13. t_{WC} is the time from the rising edge of \overline{CS} after a valid write sequence to the end of the internal write cycle.

Table 9. POWER-UP TIMING (Notes 12, 14)

| Symbol | Parameter | Min | Max | Units |
|-----------|-----------------------------|-----|-----|-------|
| t_{PUR} | Power-up to Read Operation | 0.1 | 1 | ms |
| t_{PUW} | Power-up to Write Operation | 0.1 | 1 | ms |

14. t_{PUR} and t_{PUW} are the delays required from the time V_{CC} is stable until the specified operation can be initiated.

CAT25128

Pin Description

SI: The serial data input pin accepts op-codes, addresses and data. In SPI modes (0,0) and (1,1) input data is latched on the rising edge of the SCK clock input.

SO: The serial data output pin is used to transfer data out of the device. In SPI modes (0,0) and (1,1) data is shifted out on the falling edge of the SCK clock.

SCK: The serial clock input pin accepts the clock provided by the host and used for synchronizing communication between host and CAT25128.

\overline{CS} : The chip select input pin is used to enable/disable the CAT25128. When \overline{CS} is high, the SO output is tri-stated (high impedance) and the device is in Standby Mode (unless an internal write operation is in progress). *Every communication session between host and CAT25128 must be preceded by a high to low transition and concluded with a low to high transition of the \overline{CS} input.*

\overline{WP} : The write protect input pin will allow all write operations to the device when held high. When \overline{WP} pin is tied low and the WPEN bit in the Status Register (refer to Status Register description, later in this Data Sheet) is set to "1", writing to the Status Register is disabled.

HOLD: The \overline{HOLD} input pin is used to pause transmission between host and CAT25128, without having to retransmit the entire sequence at a later time. To pause, \overline{HOLD} must be taken low and to resume it must be taken back high, with the SCK input low during both transitions. When not used for pausing, it is recommended the \overline{HOLD} input to be tied to V_{CC} , either directly or through a resistor.

Functional Description

The CAT25128 device supports the Serial Peripheral Interface (SPI) bus protocol, modes (0,0) and (1,1). The device contains an 8-bit instruction register. The instruction set and associated op-codes are listed in Table 10.

Reading data stored in the CAT25128 is accomplished by simply providing the READ command and an address. Writing to the CAT25128, in addition to a WRITE command, address and data, also requires enabling the device for writing by first setting certain bits in a Status Register, as will be explained later.

After a high to low transition on the \overline{CS} input pin, the CAT25128 will accept any one of the six instruction op-codes listed in Table 10 and will ignore all other possible 8-bit combinations. The communication protocol follows the timing from Figure 2.

The CAT25128, New Product Rev E features an additional Identification Page (64 bytes) which can be accessed for Read and Write operations when the IPL bit from the Status Register is set to "1". The user can also choose to make the Identification Page permanent write protected.

Table 10. INSTRUCTION SET

| Instruction | Opcode | Operation |
|-------------|-----------|--------------------------|
| WREN | 0000 0110 | Enable Write Operations |
| WRDI | 0000 0100 | Disable Write Operations |
| RDSR | 0000 0101 | Read Status Register |
| WRSR | 0000 0001 | Write Status Register |
| READ | 0000 0011 | Read Data from Memory |
| WRITE | 0000 0010 | Write Data to Memory |

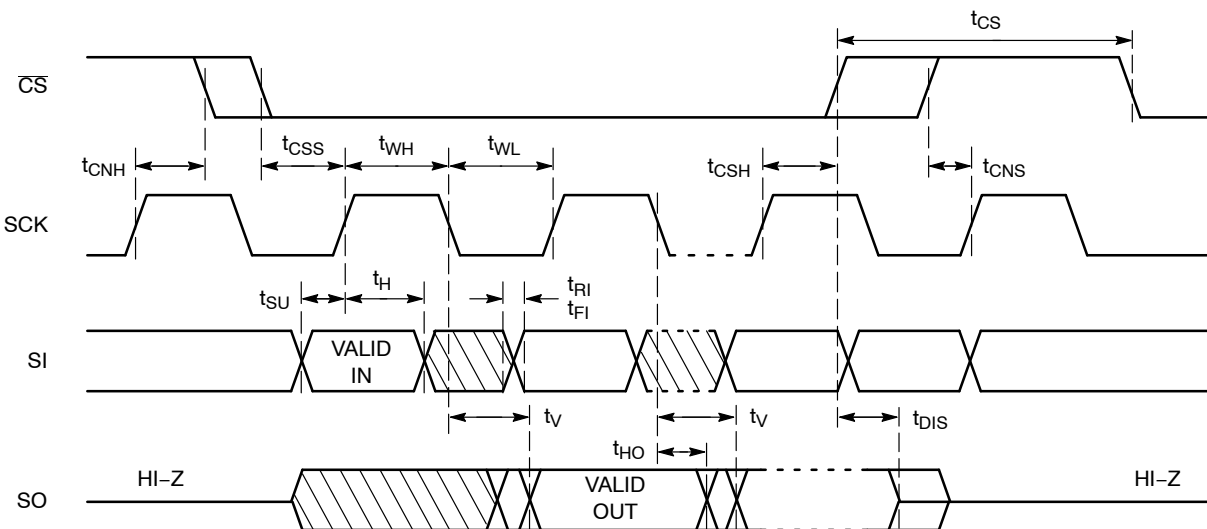


Figure 2. Synchronous Data Timing

Status Register

The Status Register, as shown in Table 11, contains a number of status and control bits.

The $\overline{\text{RDY}}$ (Ready) bit indicates whether the device is busy with a write operation. This bit is automatically set to 1 during an internal write cycle, and reset to 0 when the device is ready to accept commands. For the host, this bit is read only.

The WEL (Write Enable Latch) bit is set/reset by the WREN/WRDI commands. When set to 1, the device is in a Write Enable state and when set to 0, the device is in a Write Disable state.

The BP0 and BP1 (Block Protect) bits determine which blocks are currently write protected. They are set by the user with the WRSR command and are non-volatile. The user is allowed to protect a quarter, one half or the entire memory, by setting these bits according to Table 12. The protected blocks then become read-only.

The WPEN (Write Protect Enable) bit acts as an enable for the $\overline{\text{WP}}$ pin. Hardware write protection is enabled when the $\overline{\text{WP}}$ pin is low and the WPEN bit is 1. This condition prevents writing to the status register and to the block

protected sections of memory. While hardware write protection is active, only the non-block protected memory can be written. Hardware write protection is disabled when the $\overline{\text{WP}}$ pin is high or the WPEN bit is 0. The WPEN bit, $\overline{\text{WP}}$ pin and WEL bit combine to either permit or inhibit Write operations, as detailed in Table 13.

The IPL (Identification Page Latch) bit determines whether the additional Identification Page (IPL = 1) or main memory array (IPL = 0) can be accessed both for Read and Write operations. The IPL bit is set by the user with the WRSR command and is volatile. The IPL bit is automatically reset after read/write operations.

The LIP bit is set by the user with the WRSR command and is non-volatile. When set to 1, the Identification Page is permanently write protected (locked in Read-only mode).

Note: The IPL and LIP bits cannot be set to 1 using the same WRSR instruction. If the user attempts to set (“1”) both the IPL and LIP bit in the same time, these bits cannot be written and therefore they will remain unchanged.

Table 11. STATUS REGISTER

| | | | | | | | |
|------|------|---|------|-----|-----|-----|-----|
| 7 | 6 | 5 | 4 | 3 | 2 | 1 | 0 |
| WPEN | IPL* | 0 | LIP* | BP1 | BP0 | WEL | RDY |

*The IPL and LIP bits are available for the New Product only. The Status Register bit 6 and bit 4 are set to “0” for the older product revisions.

Table 12. BLOCK PROTECTION BITS

| Status Register Bits | | Array Address Protected | Protection |
|----------------------|-----|-------------------------|--------------------------|
| BP1 | BP0 | | |
| 0 | 0 | None | No Protection |
| 0 | 1 | 3000–3FFF | Quarter Array Protection |
| 1 | 0 | 2000–3FFF | Half Array Protection |
| 1 | 1 | 0000–3FFF | Full Array Protection |

Table 13. WRITE PROTECT CONDITIONS

| WPEN | $\overline{\text{WP}}$ | WEL | Protected Blocks | Unprotected Blocks | Status Register |
|------|------------------------|-----|------------------|--------------------|-----------------|
| 0 | X | 0 | Protected | Protected | Protected |
| 0 | X | 1 | Protected | Writable | Writable |
| 1 | Low | 0 | Protected | Protected | Protected |
| 1 | Low | 1 | Protected | Writable | Protected |
| X | High | 0 | Protected | Protected | Protected |
| X | High | 1 | Protected | Writable | Writable |

WRITE OPERATIONS

The CAT25128 device powers up into a write disable state. The device contains a Write Enable Latch (WEL) which must be set before attempting to write to the memory array or to the status register. In addition, the address of the memory location(s) to be written must be outside the protected area, as defined by BP0 and BP1 bits from the status register.

Write Enable and Write Disable

The internal Write Enable Latch and the corresponding Status Register WEL bit are set by sending the WREN

instruction to the CAT25128. Care must be taken to take the \overline{CS} input high after the WREN instruction, as otherwise the Write Enable Latch will not be properly set. WREN timing is illustrated in Figure 3. The WREN instruction must be sent prior to any WRITE or WRSR instruction.

The internal write enable latch is reset by sending the WRDI instruction as shown in Figure 4. Disabling write operations by resetting the WEL bit, will protect the device against inadvertent writes.

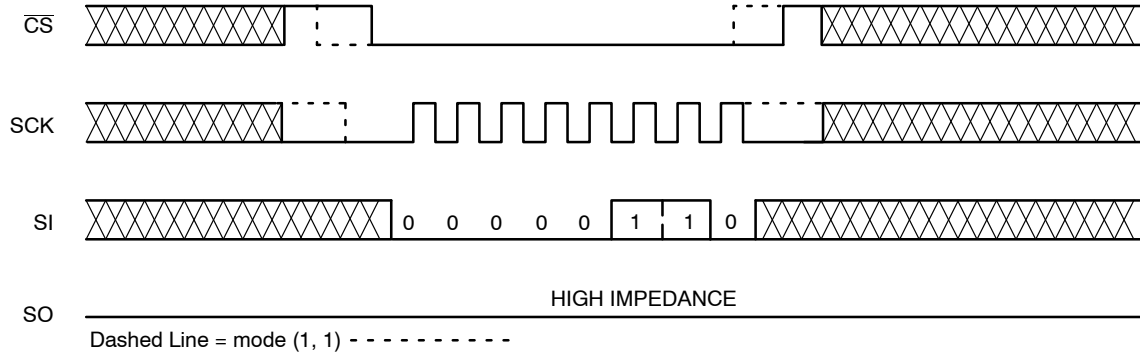


Figure 3. WREN Timing

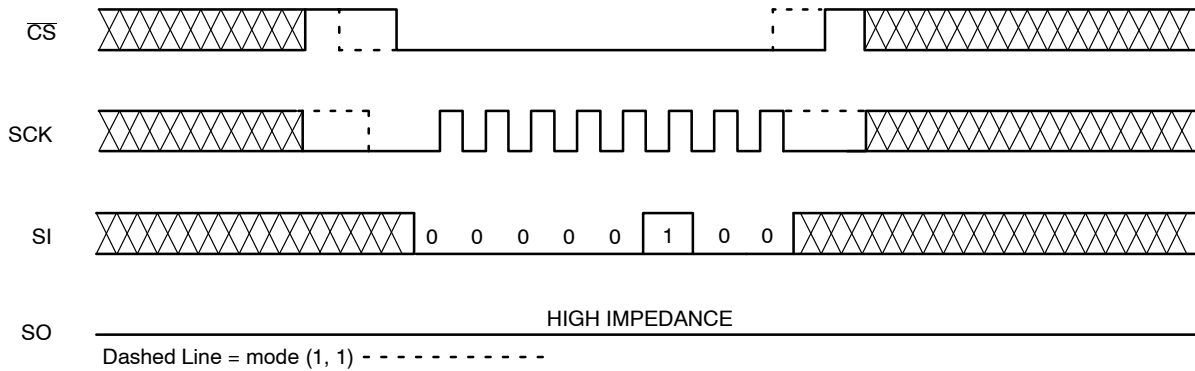


Figure 4. WRDI Timing

CAT25128

Byte Write

Once the WEL bit is set, the user may execute a write sequence, by sending a WRITE instruction, a 16-bit address and data as shown in Figure 5. Only 14 significant address bits are used by the CAT25128. The rest are don't care bits, as shown in Table 14. Internal programming will start after the low to high \overline{CS} transition. During an internal write cycle, all commands, except for RDSR (Read Status Register) will be ignored. The \overline{RDY} bit will indicate if the internal write cycle is in progress (\overline{RDY} high), or the device is ready to accept commands (\overline{RDY} low).

Page Write

After sending the first data byte to the CAT25128, the host may continue sending data, up to a total of 64 bytes, according to timing shown in Figure 6. After each data byte, the lower order address bits are automatically incremented, while the higher order address bits (page address) remain unchanged. If during this process the end of page is exceeded, then loading will "roll over" to the first byte in the page, thus possibly overwriting previously loaded data.

Following completion of the write cycle, the CAT25128 is automatically returned to the write disable state.

Write Identification Page

The additional 64-byte Identification Page (IP) can be written with user data using the same Write commands sequence as used for Page Write to the main memory array (Figure 6). **The IPL bit from the Status Register must be set (IPL = 1) using the WRSR instruction, before attempting to write to the IP.**

The address bits [A15:A6] are Don't Care and the [A5:A0] bits define the byte address within the Identification Page. In addition, the Byte Address must point to a location outside the protected area defined by the BP1, BP0 bits from the Status Register. When the full memory array is write protected (BP1, BP0 = 1,1), the write instruction to the IP is not accepted and not executed.

Also, the write to the IP is not accepted if the LIP bit from the Status Register is set to 1 (the page is locked in Read-only mode).

Table 14. BYTE ADDRESS

| | Address Significant Bits | Address Don't Care Bits | # Address Clock Pulses |
|----------------------|--------------------------|-------------------------|------------------------|
| Main Memory Array | A13 – A0 | A15 – A14 | 16 |
| Identification Page* | A5 – A0 | A15 – A6 | 16 |

*New Product only.

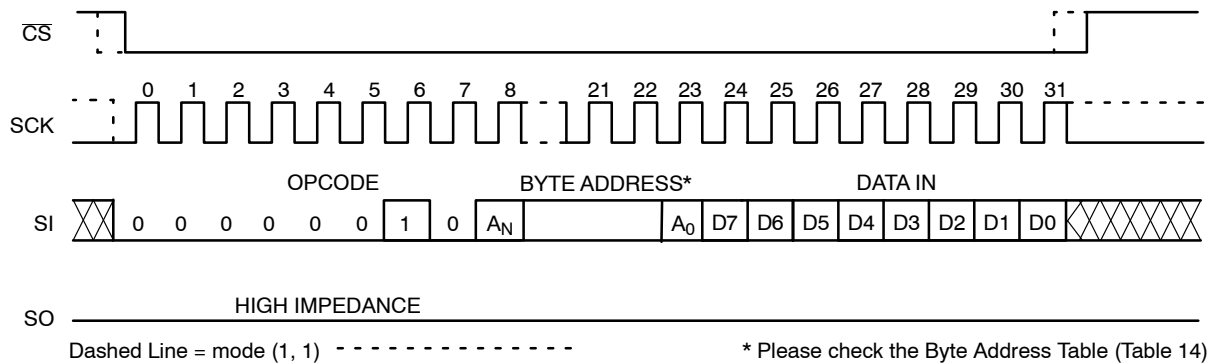


Figure 5. Byte WRITE Timing

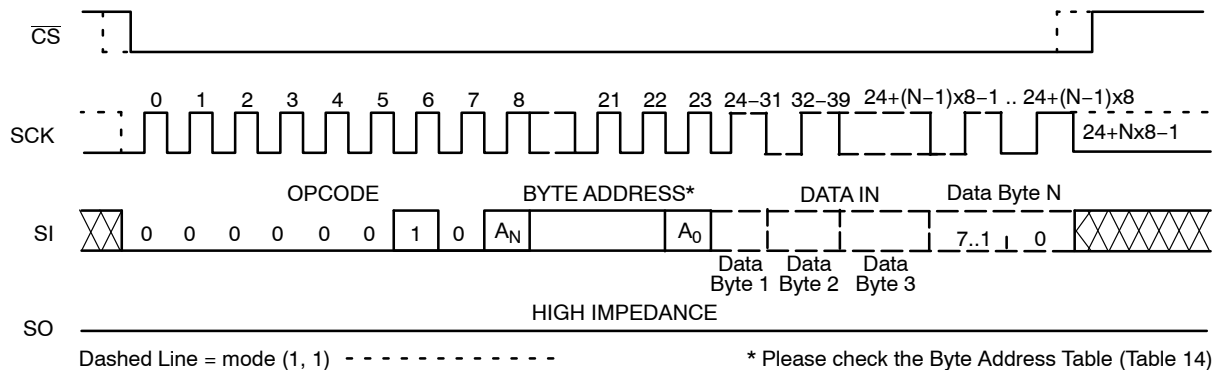


Figure 6. Page WRITE Timing

CAT25128

Write Status Register

The Status Register is written by sending a WRSR instruction according to timing shown in Figure 7. Only bits 2, 3, 4, 6 and 7 can be written using the WRSR command.

Write Protection

The Write Protect (\overline{WP}) pin can be used to protect the Block Protect bits BP0 and BP1 against being inadvertently altered. When \overline{WP} is low and the WPEN bit is set to "1", write operations to the Status Register are inhibited. \overline{WP} going low while \overline{CS} is still low will interrupt a write to the status register. If the internal write cycle has already been initiated, \overline{WP} going low will have no effect on any write operation to the Status Register. The \overline{WP} pin function is blocked when the WPEN bit is set to "0". The \overline{WP} input timing is shown in Figure 8.



Figure 7. WRSR Timing



Figure 8. WP Timing

CAT25128

READ OPERATIONS

Read from Memory Array

To read from memory, the host sends a READ instruction followed by a 16-bit address (see Table 14 for the number of significant address bits).

After receiving the last address bit, the CAT25128 will respond by shifting out data on the SO pin (as shown in Figure 9). Sequentially stored data can be read out by simply continuing to run the clock. The internal address pointer is automatically incremented to the next higher address as data is shifted out. After reaching the highest memory address, the address counter “rolls over” to the lowest memory address, and the read cycle can be continued indefinitely. The read operation is terminated by taking \overline{CS} high.

Read Identification Page

Reading the additional 64-byte Identification Page (IP) is achieved using the same Read command sequence as used for Read from main memory array (Figure 9). **The IPL bit from the Status Register must be set (IPL = 1) before attempting to read from the IP.** The [A5:A0] are the address significant bits that point to the data byte shifted out on the SO pin. If the CS continues to be held low, the internal

address register defined by [A5:A0] bits is automatically incremented and the next data byte from the IP is shifted out. The byte address must not exceed the 64-byte page boundary.

Read Status Register

To read the status register, the host simply sends a RDSR command. After receiving the last bit of the command, the CAT25128 will shift out the contents of the status register on the SO pin (Figure 10). The status register may be read at any time, including during an internal write cycle. While the internal write cycle is in progress, the RDSR command will output the full content of the status register (New product, Rev. E) or the RDY (Ready) bit only (i.e., data out = FFh) for previous product revisions C, D (Mature product). For easy detection of the internal write cycle completion, both during writing to the memory array and to the status register, we recommend sampling the RDY bit only through the polling routine. After detecting the RDY bit “0”, the next RDSR instruction will always output the expected content of the status register.

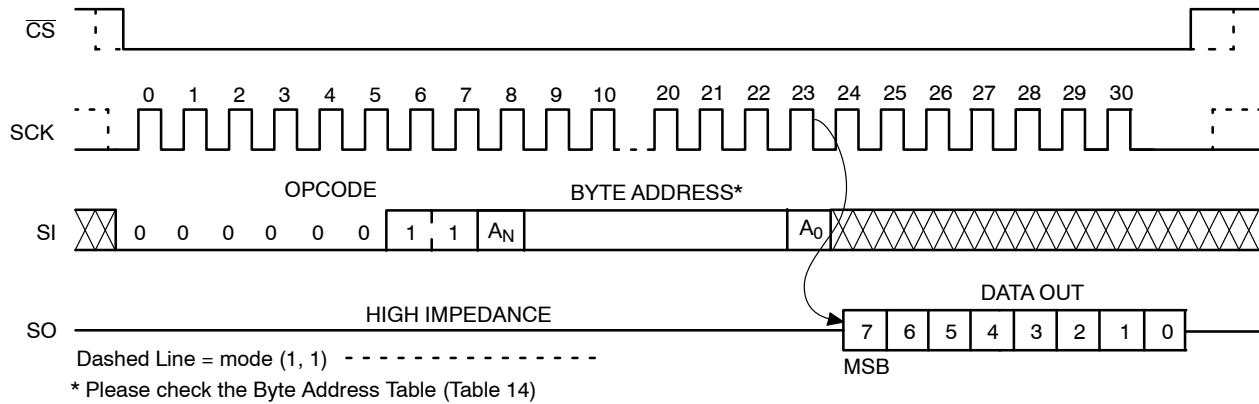


Figure 9. READ Timing

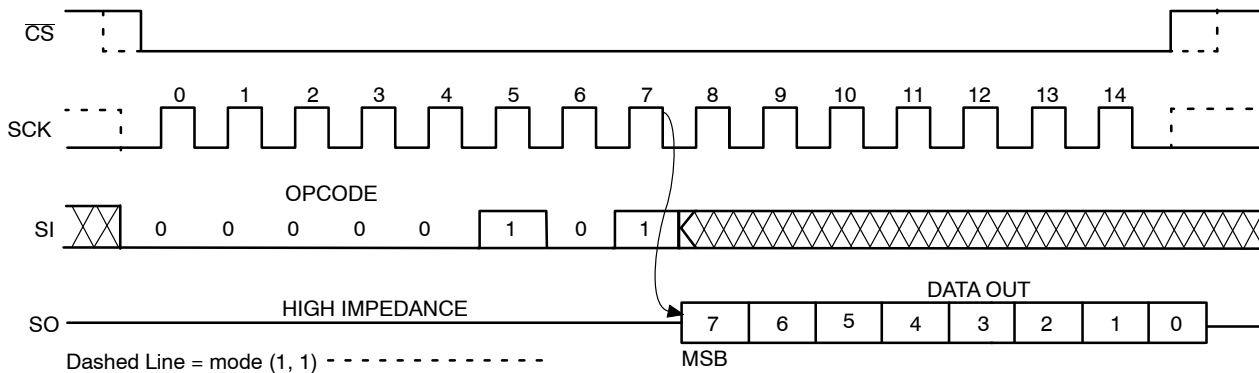


Figure 10. RDSR Timing

Hold Operation

The $\overline{\text{HOLD}}$ input can be used to pause communication between host and CAT25128. To pause, $\overline{\text{HOLD}}$ must be taken low while SCK is low (Figure 11). During the hold condition the device must remain selected ($\overline{\text{CS}}$ low). During the pause, the data output pin (SO) is tri-stated (high impedance) and SI transitions are ignored. To resume communication, $\overline{\text{HOLD}}$ must be taken high while SCK is low.

Design Considerations

The CAT25128 device incorporates Power-On Reset (POR) circuitry which protects the internal logic against powering up in the wrong state. The device will power up into Standby mode after V_{CC} exceeds the POR trigger level and will power down into Reset mode when V_{CC} drops below the POR trigger level. This bi-directional POR behavior protects the device against ‘brown-out’ failure following a temporary loss of power.

The CAT25128 device powers up in a write disable state and in a low power standby mode. A WREN instruction must be issued prior to any writes to the device.

After power up, the $\overline{\text{CS}}$ pin must be brought low to enter a ready state and receive an instruction. After a successful byte/page write or status register write, the device goes into a write disable mode. The $\overline{\text{CS}}$ input must be set high after the proper number of clock cycles to start the internal write cycle. Access to the memory array during an internal write cycle is ignored and programming is continued. Any invalid op-code will be ignored and the serial output pin (SO) will remain in the high impedance state.

Delivery State

The CAT25128 is shipped erased, i.e., all bytes are FFh.



Figure 11. $\overline{\text{HOLD}}$ Timing

CAT25128

Table 15. ORDERING INFORMATION (Notes 15 – 18)

| Device Order Number | Specific Device Marking* | Package Type | Temperature Range | Lead Finish | Shipping† |
|---------------------|--------------------------|------------------|------------------------------------|-------------|------------------------------------|
| CAT25128YI-GT3 | S28E | TSSOP-8 | I = Industrial (-40°C to +85°C) | NiPdAu | Tape & Reel, 3,000 Units / Reel |
| CAT25128YE-GT3 | S28E | TSSOP-8 | E = Extended (-40°C to +125°C) | NiPdAu | Tape & Reel, 3,000 Units / Reel |
| CAT25128HU4I-GT3 | S7U | UDFN-8 | I = Industrial (-40°C to +85°C) | NiPdAu | Tape & Reel, 3,000 Units / Reel |
| CAT25128HU4E-GT3 | S7U | UDFN-8 | E = Extended (-40°C to +125°C) | NiPdAu | Tape & Reel, 3,000 Units / Reel |
| CAT25128VI-GT3 | 25128E | SOIC-8, JEDEC | I = Industrial (-40°C to +85°C) | NiPdAu | Tape & Reel, 3,000 Units / Reel |
| CAT25128VE-GT3 | 25128E | SOIC-8, JEDEC | E = Extended (-40°C to +125°C) | NiPdAu | Tape & Reel, 3,000 Units / Reel |
| CAT25128XI-T2 | 25128E | SOIC-8, EIAJ | I = Industrial (-40°C to +85°C) | Matte-Tin | Tape & Reel, 2,000 Units / Reel |
| CAT25128XE-T2 | 25128E | SOIC-8, EIAJ | E = Extended (-40°C to +125°C) | Matte-Tin | Tape & Reel, 2,000 Units / Reel |

†For information on tape and reel specifications, including part orientation and tape sizes, please refer to our Tape and Reel Packaging Specifications Brochure, BRD8011/D.

15. All packages are RoHS-compliant (Lead-free, Halogen-free).

16. The standard lead finish is NiPdAu.

17. For additional package and temperature options, please contact your nearest ON Semiconductor Sales office.

18. For detailed information and a breakdown of device nomenclature and numbering systems, please see the ON Semiconductor Device Nomenclature document, TND310/D, available at www.onsemi.com

MECHANICAL CASE OUTLINE

PACKAGE DIMENSIONS

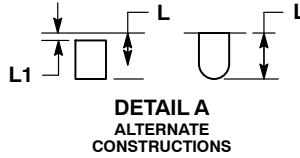
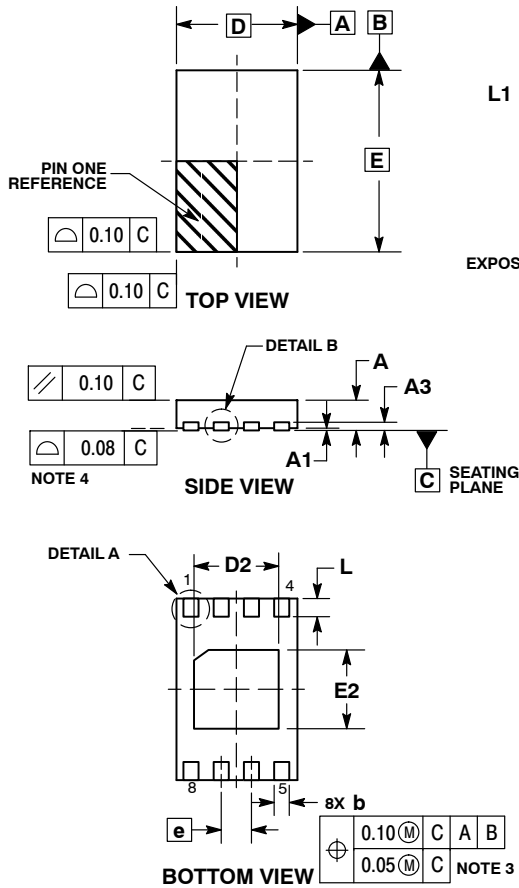
ON Semiconductor®



SCALE 2:1

UDFN8, 2x3 EXTENDED PAD CASE 517AZ ISSUE A

DATE 23 MAR 2015



NOTES:

1. DIMENSIONING AND TOLERANCING PER ASME Y14.5M, 1994.
2. CONTROLLING DIMENSION: MILLIMETERS.
3. DIMENSION b APPLIES TO PLATED TERMINAL AND IS MEASURED BETWEEN 0.15 AND 0.25MM FROM THE TERMINAL TIP.
4. COPLANARITY APPLIES TO THE EXPOSED PAD AS WELL AS THE TERMINALS.

| DIM | MILLIMETERS | |
|-----|-------------|------|
| | MIN | MAX |
| A | 0.45 | 0.55 |
| A1 | 0.00 | 0.05 |
| A3 | 0.13 REF | |
| b | 0.20 | 0.30 |
| D | 2.00 BSC | |
| D2 | 1.35 | 1.45 |
| E | 3.00 BSC | |
| E2 | 1.25 | 1.35 |
| e | 0.50 BSC | |
| L | 0.25 | 0.35 |
| L1 | --- | 0.15 |

GENERIC MARKING DIAGRAM*



- XXXXX = Specific Device Code
- A = Assembly Location
- WL = Wafer Lot
- Y = Year
- W = Work Week
- = Pb-Free Package

*This information is generic. Please refer to device data sheet for actual part marking. Pb-Free indicator, "G" or microdot "▪", may or may not be present.

RECOMMENDED SOLDERING FOOTPRINT*



*For additional information on our Pb-Free strategy and soldering details, please download the ON Semiconductor Soldering and Mounting Techniques Reference Manual, SOLDERRM/D.

| | | |
|-------------------------|--------------------------------|--|
| DOCUMENT NUMBER: | 98AON42552E | Electronic versions are uncontrolled except when accessed directly from the Document Repository. Printed versions are uncontrolled except when stamped "CONTROLLED COPY" in red. |
| DESCRIPTION: | UDFN8, 2X3 EXTENDED PAD | PAGE 1 OF 1 |

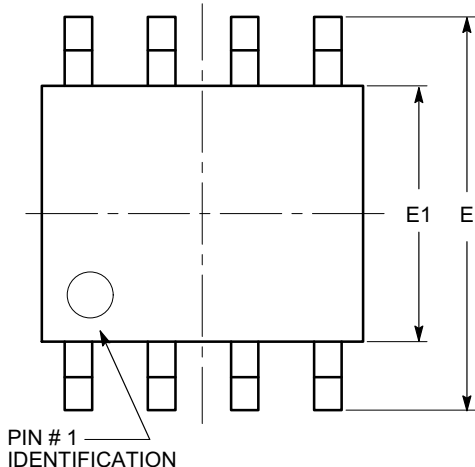
ON Semiconductor and ON are trademarks of Semiconductor Components Industries, LLC dba ON Semiconductor or its subsidiaries in the United States and/or other countries. ON Semiconductor reserves the right to make changes without further notice to any products herein. ON Semiconductor makes no warranty, representation or guarantee regarding the suitability of its products for any particular purpose, nor does ON Semiconductor assume any liability arising out of the application or use of any product or circuit, and specifically disclaims any and all liability, including without limitation special, consequential or incidental damages. ON Semiconductor does not convey any license under its patent rights nor the rights of others.

MECHANICAL CASE OUTLINE
PACKAGE DIMENSIONS



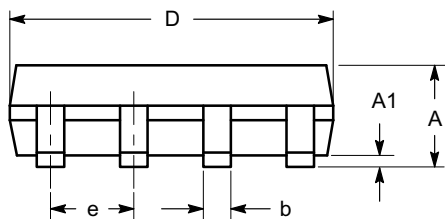
SOIC-8, 150 mils
CASE 751BD
ISSUE O

DATE 19 DEC 2008

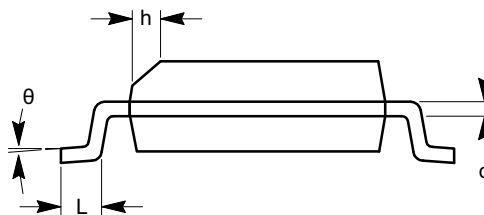


TOP VIEW

| SYMBOL | MIN | NOM | MAX |
|----------|----------|-----|------|
| A | 1.35 | | 1.75 |
| A1 | 0.10 | | 0.25 |
| b | 0.33 | | 0.51 |
| c | 0.19 | | 0.25 |
| D | 4.80 | | 5.00 |
| E | 5.80 | | 6.20 |
| E1 | 3.80 | | 4.00 |
| e | 1.27 BSC | | |
| h | 0.25 | | 0.50 |
| L | 0.40 | | 1.27 |
| θ | 0° | | 8° |



SIDE VIEW



END VIEW

Notes:

- (1) All dimensions are in millimeters. Angles in degrees.
- (2) Complies with JEDEC MS-012.

| | | |
|-------------------------|-------------------------|---|
| DOCUMENT NUMBER: | 98AON34272E | Electronic versions are uncontrolled except when accessed directly from the Document Repository. Printed versions are uncontrolled except when stamped "CONTROLLED COPY" in red. |
| DESCRIPTION: | SOIC 8, 150 MILS | PAGE 1 OF 1 |

onsemi and ONSEMI are trademarks of Semiconductor Components Industries, LLC dba onsemi or its subsidiaries in the United States and/or other countries. onsemi reserves the right to make changes without further notice to any products herein. onsemi makes no warranty, representation or guarantee regarding the suitability of its products for any particular purpose, nor does onsemi assume any liability arising out of the application or use of any product or circuit, and specifically disclaims any and all liability, including without limitation special, consequential or incidental damages. onsemi does not convey any license under its patent rights nor the rights of others.

MECHANICAL CASE OUTLINE

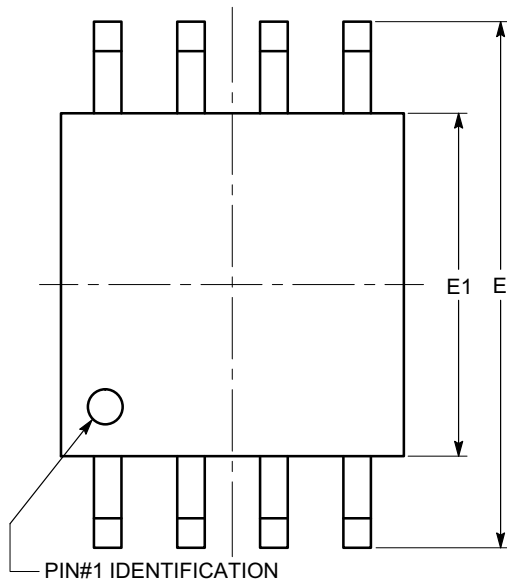
PACKAGE DIMENSIONS

ON Semiconductor®



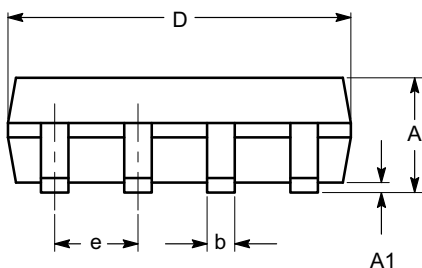
SOIC-8, 208 mils
CASE 751BE-01
ISSUE O

DATE 19 DEC 2008

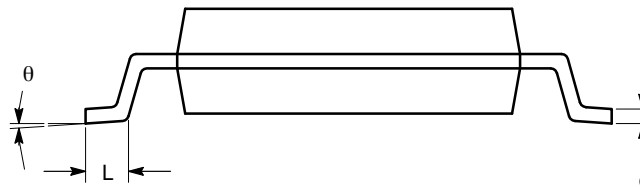


TOP VIEW

| SYMBOL | MIN | NOM | MAX |
|----------|----------|-----|------|
| A | | | 2.03 |
| A1 | 0.05 | | 0.25 |
| b | 0.36 | | 0.48 |
| c | 0.19 | | 0.25 |
| D | 5.13 | | 5.33 |
| E | 7.75 | | 8.26 |
| E1 | 5.13 | | 5.38 |
| e | 1.27 BSC | | |
| L | 0.51 | | 0.76 |
| θ | 0° | | 8° |



SIDE VIEW



END VIEW

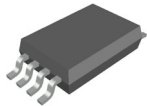
Notes:

- (1) All dimensions are in millimeters. Angles in degrees.
- (2) Complies with EIAJ EDR-7320.

| | | |
|-------------------------|-------------------------|---|
| DOCUMENT NUMBER: | 98AON34273E | Electronic versions are uncontrolled except when accessed directly from the Document Repository. Printed versions are uncontrolled except when stamped "CONTROLLED COPY" in red. |
| DESCRIPTION: | SOIC-8, 208 MILS | PAGE 1 OF 1 |

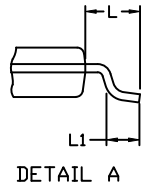
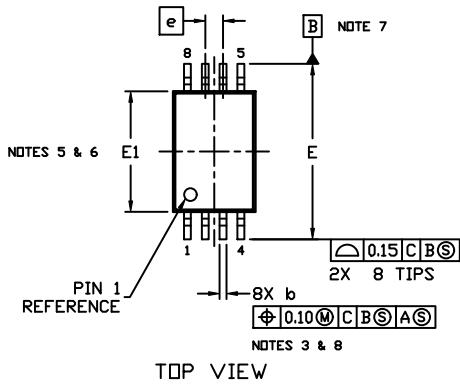
ON Semiconductor and are trademarks of Semiconductor Components Industries, LLC dba ON Semiconductor or its subsidiaries in the United States and/or other countries. ON Semiconductor reserves the right to make changes without further notice to any products herein. ON Semiconductor makes no warranty, representation or guarantee regarding the suitability of its products for any particular purpose, nor does ON Semiconductor assume any liability arising out of the application or use of any product or circuit, and specifically disclaims any and all liability, including without limitation special, consequential or incidental damages. ON Semiconductor does not convey any license under its patent rights nor the rights of others.

MECHANICAL CASE OUTLINE PACKAGE DIMENSIONS



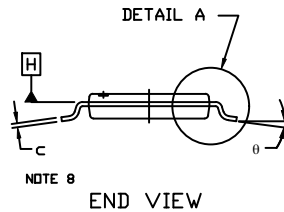
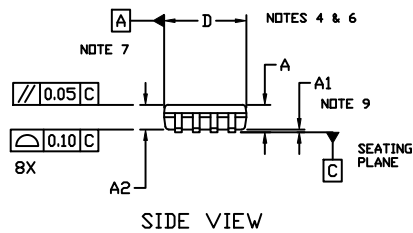
TSSOP8, 4.4x3.0, 0.65P
CASE 948AL
ISSUE A

DATE 20 MAY 2022



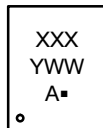
NOTES:

1. DIMENSIONING AND TOLERANCING PER ASME Y14.5, 2009..
2. CONTROLLING DIMENSION: MILLIMETERS
3. DIMENSION b DOES NOT INCLUDE DAMBAR PROTRUSION. ALLOWABLE PROTRUSION SHALL NOT BE 0.15 IN EXCESS OF MAXIMUM MATERIAL CONDITION.
4. DIMENSION D DOES NOT INCLUDE MOLD FLASH, PROTRUSIONS OR GATE BURRS. MOLD FLASH, PROTRUSIONS OR GATE BURRS SHALL NOT EXCEED 0.15 PER SIDE.
5. DIMENSION E1 DOES NOT INCLUDE INTERLEAD FLASH OR PROTRUSION. INTERLEAD FLASH OR PROTRUSION SHALL NOT EXCEED 0.25 PER SIDE.
6. THE PACKAGE TOP MAY BE SMALLER THAN THE PACKAGE BOTTOM. DIMENSIONS D AND E1 ARE DETERMINED AT THE OUTERMOST EXTREMES OF THE PLASTIC BODY AT DATUM PLANE H.
7. DATUMS A AND B ARE TO BE DETERMINED AT DATUM H.
8. DIMENSIONS b AND c APPLY TO THE FLAT SECTION OF THE LEAD BETWEEN 0.10 AND 0.25 FROM THE LEAD TIP..
9. A1 IS DEFINED AS THE LOWEST VERTICAL DISTANCE FROM THE SEATING PLANE TO THE LOWEST POINT ON THE PACKAGE BODY..



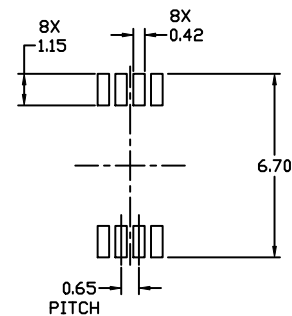
| DIM | MILLIMETERS | | |
|-----|-------------|------|------|
| | MIN. | NOM. | MAX. |
| A | --- | --- | 1.20 |
| A1 | 0.05 | --- | 0.15 |
| A2 | 0.80 | 0.90 | 1.05 |
| b | 0.19 | --- | 0.30 |
| c | 0.09 | --- | 0.20 |
| D | 2.90 | 3.00 | 3.10 |
| E | 6.30 | 6.40 | 6.50 |
| E1 | 4.30 | 4.40 | 4.50 |
| e | 0.65 BSC | | |
| L | 1.00 REF | | |
| L1 | 0.50 | 0.60 | 0.70 |
| θ | 0° | --- | 8° |

GENERIC MARKING DIAGRAM*



- XXX = Specific Device Code
- Y = Year
- WW = Work Week
- A = Assembly Location
- = Pb-Free Package

*This information is generic. Please refer to device data sheet for actual part marking. Pb-Free indicator, "G" or microdot "▪", may or may not be present. Some products may not follow the Generic Marking.



* For additional information on our Pb-Free strategy and soldering details, please download the ON Semiconductor Soldering and Mounting Techniques Reference Manual, SOLDERM/D.

| | | |
|------------------|------------------------|--|
| DOCUMENT NUMBER: | 98AON34428E | Electronic versions are uncontrolled except when accessed directly from the Document Repository. Printed versions are uncontrolled except when stamped "CONTROLLED COPY" in red. |
| DESCRIPTION: | TSSOP8, 4.4X3.0, 0.65P | PAGE 1 OF 1 |

onsemi and ONSEMI are trademarks of Semiconductor Components Industries, LLC dba onsemi or its subsidiaries in the United States and/or other countries. onsemi reserves the right to make changes without further notice to any products herein. onsemi makes no warranty, representation or guarantee regarding the suitability of its products for any particular purpose, nor does onsemi assume any liability arising out of the application or use of any product or circuit, and specifically disclaims any and all liability, including without limitation special, consequential or incidental damages. onsemi does not convey any license under its patent rights nor the rights of others.

onsemi, **Onsemi**, and other names, marks, and brands are registered and/or common law trademarks of Semiconductor Components Industries, LLC dba "**onsemi**" or its affiliates and/or subsidiaries in the United States and/or other countries. **onsemi** owns the rights to a number of patents, trademarks, copyrights, trade secrets, and other intellectual property. A listing of **onsemi**'s product/patent coverage may be accessed at www.onsemi.com/site/pdf/Patent-Marking.pdf. **onsemi** reserves the right to make changes at any time to any products or information herein, without notice. The information herein is provided "as-is" and **onsemi** makes no warranty, representation or guarantee regarding the accuracy of the information, product features, availability, functionality, or suitability of its products for any particular purpose, nor does **onsemi** assume any liability arising out of the application or use of any product or circuit, and specifically disclaims any and all liability, including without limitation special, consequential or incidental damages. Buyer is responsible for its products and applications using **onsemi** products, including compliance with all laws, regulations and safety requirements or standards, regardless of any support or applications information provided by **onsemi**. "Typical" parameters which may be provided in **onsemi** data sheets and/or specifications can and do vary in different applications and actual performance may vary over time. All operating parameters, including "Typicals" must be validated for each customer application by customer's technical experts. **onsemi** does not convey any license under any of its intellectual property rights nor the rights of others. **onsemi** products are not designed, intended, or authorized for use as a critical component in life support systems or any FDA Class 3 medical devices or medical devices with a same or similar classification in a foreign jurisdiction or any devices intended for implantation in the human body. Should Buyer purchase or use **onsemi** products for any such unintended or unauthorized application, Buyer shall indemnify and hold **onsemi** and its officers, employees, subsidiaries, affiliates, and distributors harmless against all claims, costs, damages, and expenses, and reasonable attorney fees arising out of, directly or indirectly, any claim of personal injury or death associated with such unintended or unauthorized use, even if such claim alleges that **onsemi** was negligent regarding the design or manufacture of the part. **onsemi** is an Equal Opportunity/Affirmative Action Employer. This literature is subject to all applicable copyright laws and is not for resale in any manner.

ADDITIONAL INFORMATION

TECHNICAL PUBLICATIONS:

Technical Library: www.onsemi.com/design/resources/technical-documentation
onsemi Website: www.onsemi.com

ONLINE SUPPORT: www.onsemi.com/support

For additional information, please contact your local Sales Representative at www.onsemi.com/support/sales

