

PLEASE CHECK WWW.MOLEX.COM FOR LATEST PART INFORMATION

Part Number: **0190050001**
Status: **Active**
Overview: Standard Quick-Disconnect Terminals
Description: InsulKrimp Fully Insulated Coupler, Female, for 18-22 AWG Wire, Box

Documents:

3D Model	Product Specification PS-19902-011-001 (PDF)
Drawing (PDF)	Product Specification PS-19902-013-001 (PDF)
3D Model (PDF)	RoHS Certificate of Compliance (PDF)
Product Specification PS-19902-008-001 (PDF)	

Agency Certification

CSA	LR18689
UL	E79133

General

Product Family	Quick Disconnects
Series	<u>19005</u>
Crimp Quality Equipment	Yes
Insulated	Fully
Overview	<u>Standard Quick-Disconnect Terminals</u>
Product Name	InsulKrimp
Type	Quick Disconnect
UPC	800753030411

Physical

Barrel Type	Closed
Color - Resin	Red
Flammability	94V-2
Gender	Female
Glow-Wire Capable	No
Insulation	Nylon (PA)
Lock to Mating Part	None
Material - Metal	Brass
Material - Plating Mating	Tin
Material - Plating Termination	Tin
Material - Resin	Nylon
Net Weight	1.000/g
Orientation	Straight
Packaging Type	Bag
Polarized to Mating Part	No
Tab Thickness	0.81mm
Tab Width	6.35mm
Temperature Range - Operating	-65° to +105°C
Wire Insulation Diameter	4.19mm max.
Wire Size AWG	18, 20, 22

Electrical

Voltage - Maximum	600V
-------------------	------

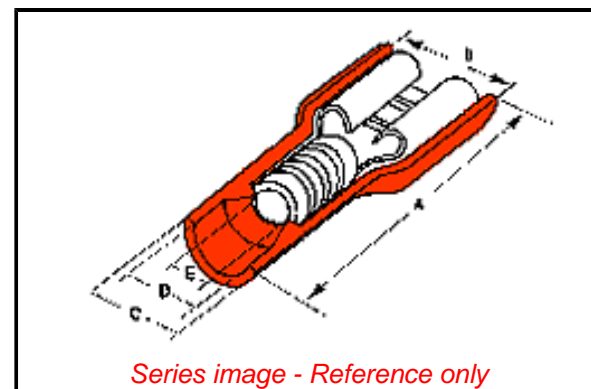
Solder Process Data

Lead-free Process Capability	N/A
------------------------------	-----

Material Info

Engineering Number	AA-2261
--------------------	---------

Reference - Drawing Numbers



Series image - Reference only

EU ELV

Not Relevant

EU RoHS

Compliant

REACH SVHC

Not Contained Per -
D(2021)4569-DC (8
July 2021)

Halogen-Free

Status

Low-Halogen

For more information, please visit [Contact US](#)

China ROHS

ELV

RoHS Phthalates

China RoHS

Green Image

Not Relevant

Not Contained

Search Parts in this Series

[19005 Series](#)

Use With

[190040001](#) , [190040004](#)

Application Tooling | FAQ

Tooling specifications and manuals are found by selecting the products below. Crimp Height Specifications are then contained in the Application Tooling Specification document.

Global

Description	Product #
PremiumGrade Hand Crimp Tool for Industrial Terminals 14-22 AWG (see ATS)	640014700
Crimp Head for the AT-200 Pneumatic Hand Tool	640054700

Product Specification

Sales Drawing

PS-19902-008-001, PS-19902-011-001,
PS-19902-013-001
SD-19005-001-001

This document was generated on 01/04/2022

PLEASE CHECK WWW.MOLEX.COM FOR LATEST PART INFORMATION

Mouser Electronics

Authorized Distributor

Click to View Pricing, Inventory, Delivery & Lifecycle Information:

[Molex:](#)

[19005-0001](#)