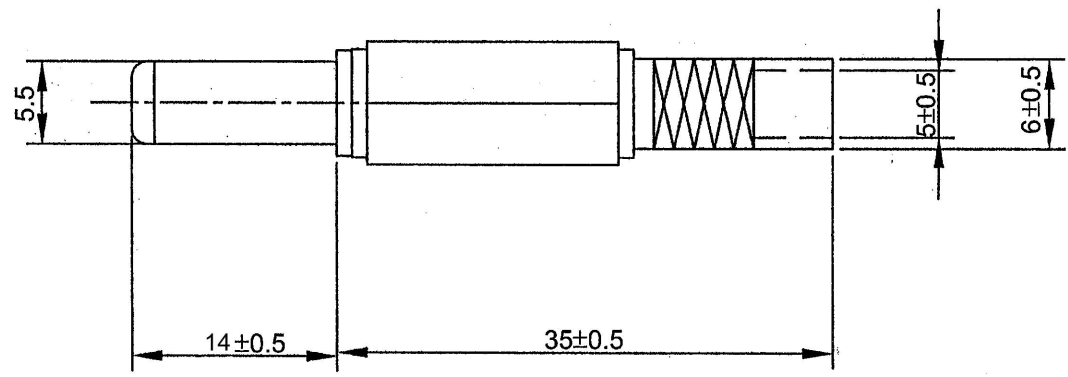
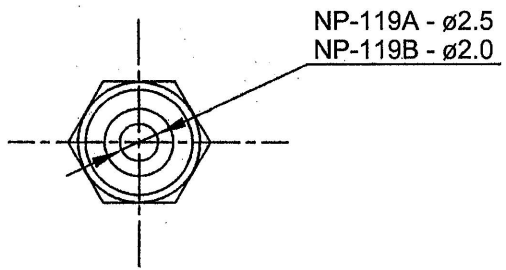


RoHS
STANDARD
Drawing For Reference Only



Technical requirement :

1. This product should meet EU RoHS related requirement.
2. The surface of plastic part should be without any crackle such as burr,lack,and so on phenomenon.
3. The surface of metal part should be without any defect such as scaur,nick,oxidation and plating problem.
4. The electronic performance should be the same as spec.
5. The un-specified tolerance is : <math><6 \pm 0.1</math>
$6 \sim 20 \pm 0.2$
$>20 \pm 0.3$

Specification :

Contact Resistance : 30m ohm min. at DC 500V
Insulation Resistance : 100M ohm min. at DC 500V
Dielectric Strength : AC 500V for One Minute.

DCI DRAGON CITY INDUSTRIES LIMITED

PART NAME	2.0/2.5 x 5.5mm DC Plug	TOLERANCE : ±
PART NO.	NP-119-EN(HY)	UNIT: MM

DESIGN	K.W LAW	REMARK		SCALE	
DRAWING	W.K YEUNG	REMARK		MATERIAL	
CHECK	K.L WONG	REMARK		DWG. NO.	A503061200
APPROVAL	K.W CHAN	REMARK		SHEET	