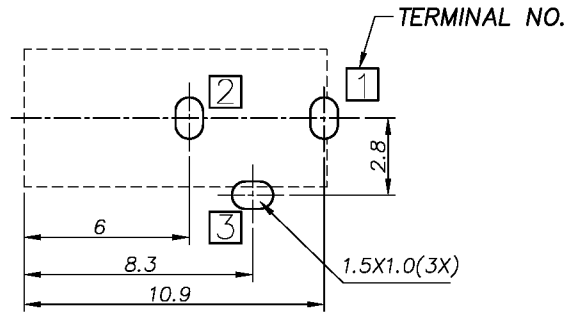
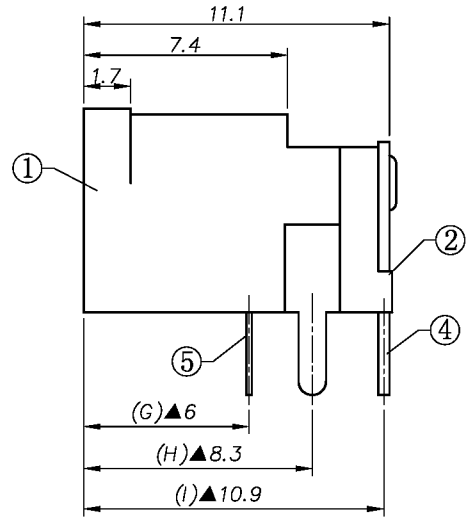
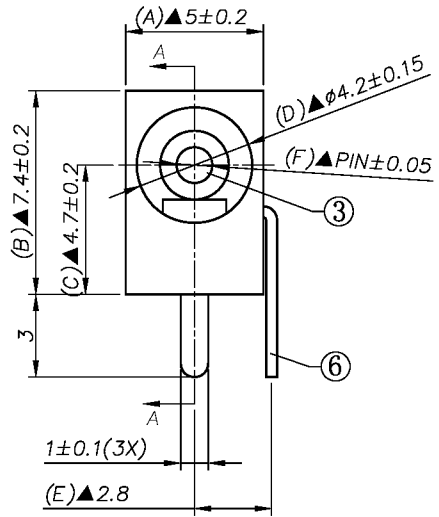
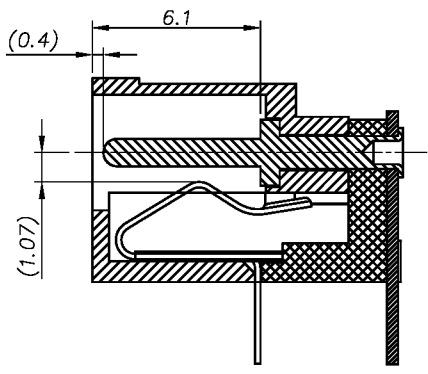


**RoHS
Compliant
Drawing For
Reference Only**

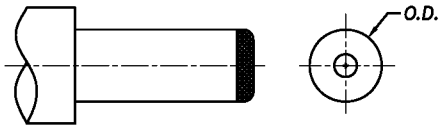


RECOMMENDED P. C. B. LAYOUT
UNSPECIFIED TOLERANCE: ±0.05
(TOP VIEW)

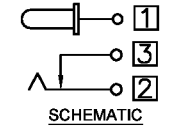
Model No.	DS-313B(PBT)(NB)	DS-313A(PBT)(NB)
PIN	Ø1.0	Ø1.3
DC PLUG O.D.	Ø3.5	Ø3.5



SECTION A-A



DC MATE PLUG



Technical requirement :

1. This product should meet EU RoHS related requirement.
2. The surface of plastic part should be without any crackle such as burr,lack,and so on phenomenon.
3. The surface of metal part should be without any defect such as scaur,nick,oxidation and plating problem.
4. The electronic performance should be the same as spec.
5. The un-specified tolerance is : $\le 6\pm 0.2$
$6\sim 20\pm 0.3$
$>20\pm 0.4$

⑥	Shunt terminal	1	Brass t0.4	Silver Plating
⑤	Tip spring	1	Stainless steel t0.2	Silver Plating
④	Center pin terminal	1	Brass t0.40	Silver Plating
③	Center pin	1	Copper alloy	Nickel Plating
②	Cover	1	PBT/PA9T	Black
①	Housing	1	PBT/PA9T	Black
NO.	DESCRIPTION	QTY	MATERIAL	PLATING

DCI DRAGON CITY INDUSTRIES LIMITED

Item Name	DC POWER JACK	Tolerance :	Design	K.W Law	Remark	Scale
Item No.	DS-313(PBT)(NB)	Unit : mm	Drawing	W.K Yeung	Remark	Material
			Check	K.L Wong	Remark	Drawing No. A30128-1519
			Approval	K.W Chan	Remark	Sheet