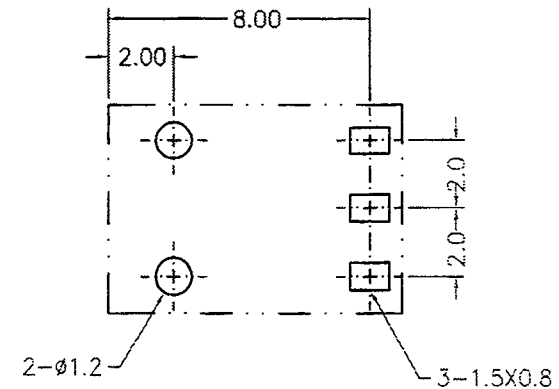
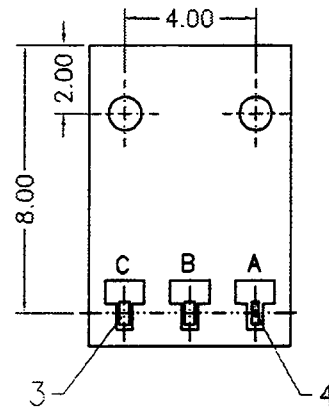
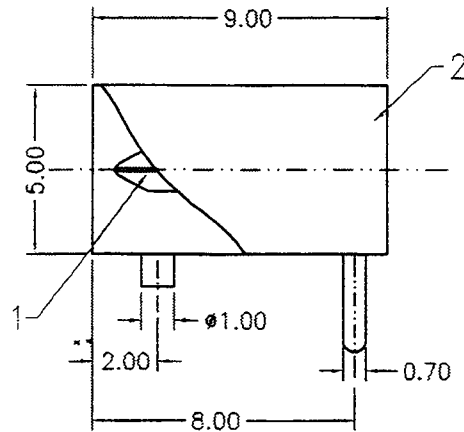
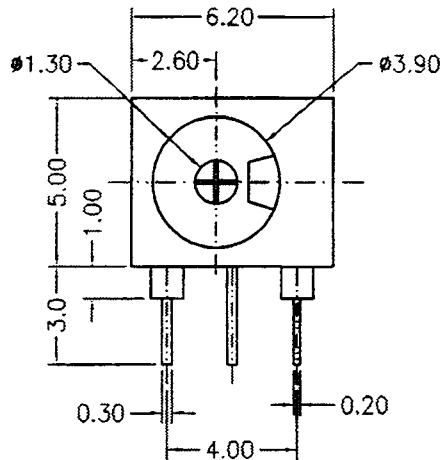
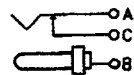


**RoHS  
Compliant  
Drawing For  
Reference Only**



**P.C. B LAYOUT**



**SCHEMATIC**

Model No	Dia	Finish
DS-213A(SL)	Φ1.30	Ni Plated
DS-213B(SL)	Φ1.00	Ni Plated

**Technical requirement :**

- This product should meet EU RoHS related requirement.
- The surface of plastic part should be without any crackle such as burr,lack,and so on phenomenon.
- The surface of metal part should be without any defect such as scaur,nick,oxidation and plating problem.
- The electronic performance should be the same as spec.
- The un-specified tolerance is : <math><6\pm 0.2</math>  
<math>6\sim 20\pm 0.3</math>  
<math>>20\pm 0.4</math>

No.	Part	Material	Qty	Remarks
5	Cover	PA66	1	Black
4	Contact Terminal	Brass Strip	1	Ag Plated Over Ni Plated
3	Terminal	Brass Strip	1	Ag Plated Over Ni Plated
2	Case	PA66	1	Black
1	Plug Pin	PBS	1	Ag Plated Over Ni Plated

**DCI DRAGON CITY INDUSTRIES LIMITED**

Item Name	DC POWER JACK	Tolerance :	Design	K.W Law	Remark	Scale
Item No.	DS-213(SL)	Unit : mm	Drawing	W.K Yeung	Remark	Material
			Check	K.L Wong	Remark	Drawing No.
			Approval	K.W Chan	Remark	Sheet

A30204-1413