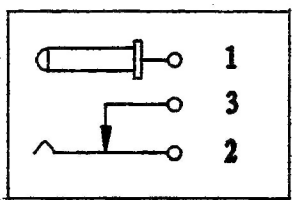
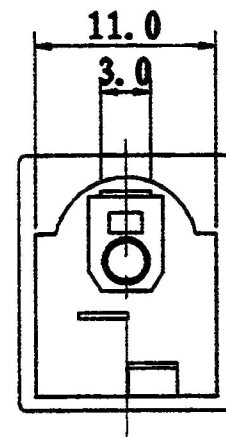
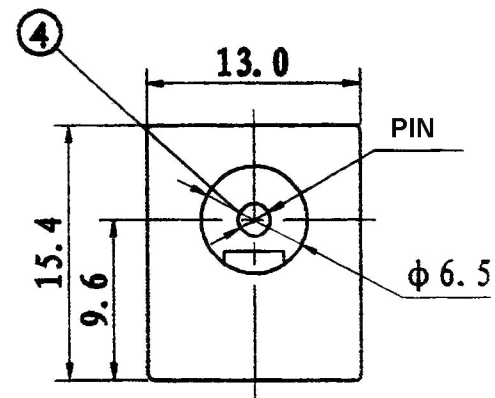
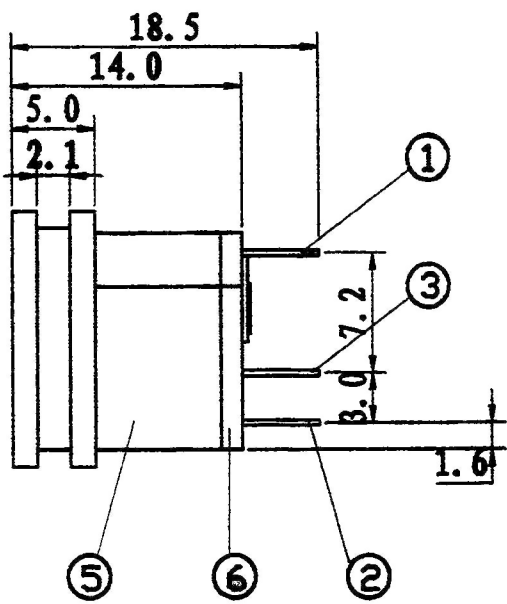
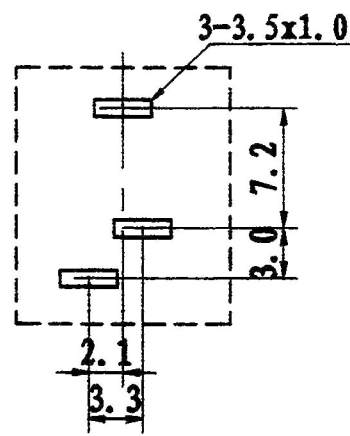


RoHS
Compliant
Drawing For
Reference Only



SCHIMATEC



P.C. B LAYOUT

Model No.	DS-207A(PBT)(SL)	DS-207B(PBT)SL)
Pin	$\phi 2.5$	$\phi 2.0$

6	Cover	Nylon + PG	1	Black
5	Housing	PBT / ABS	1	Black
4	Plug Pin	Brass Strip H59	1	Ag Plated Over Ni Plated
3	Terminal	Brass Strip H62	1	Ag Plated Over Ni Plated
2	Contact Terminal	Stainless Steel 65Mn	1	Ag Plated Over Ni Plated
1	Spring Terminal	Brass Strip H62	1	Ag Plated Over Ni Plated

NO.	PART	MATERIAL	QTY	REMARKS
	Design	K.W Law	Remark	Scale
	Drawing	W.K Yeung	Remark	Material
	Check	K.L Wong	Remark	Drawing No. A30117-1110R
	Approval	K.W Chan	Remark	Sheet

Technical requirement :

1. This product should meet EU RoHS related requirement.
2. The surface of plastic part should be without any crackle such as burr,lack,and so on phenomenon.
3. The surface of metal part should be without any defect such as scaur,nick,oxidation and plating problem.
4. The electronic performance should be the same as spec.
5. The un-specified tolerance is : $<6\pm 0.2$
 $6\sim 20\pm 0.3$
 $>20\pm 0.4$

DCI DRAGON CITY INDUSTRIES LIMITED

Item Name	DC POWER JACK	Tolerance :
Item No.	DS-207(PBT)(SL)	Unit : mm