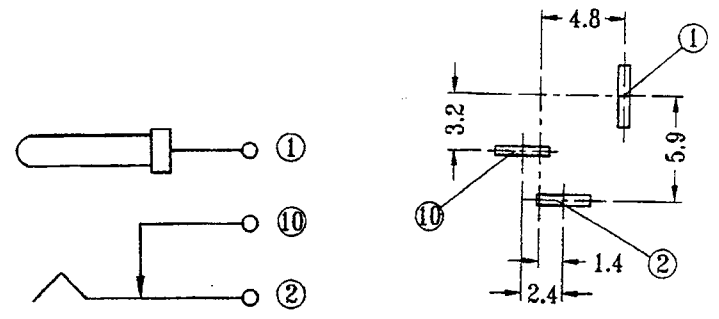
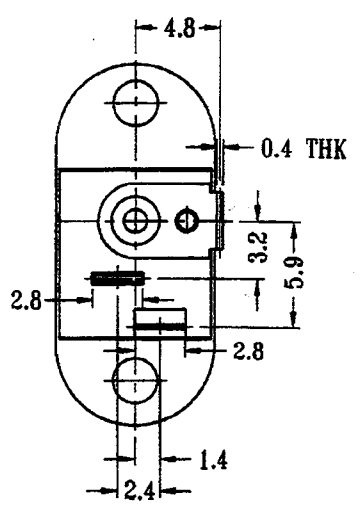
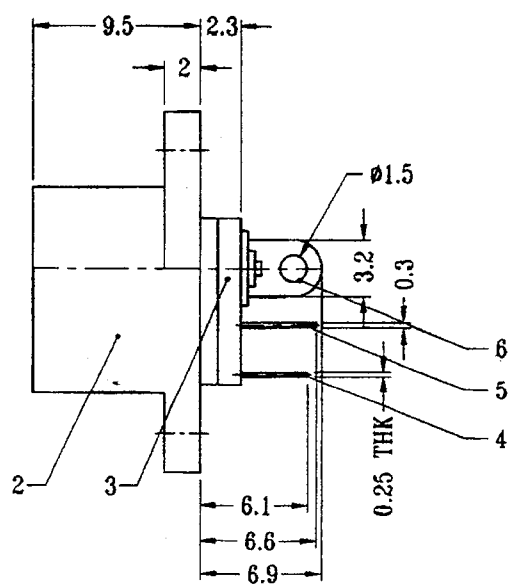
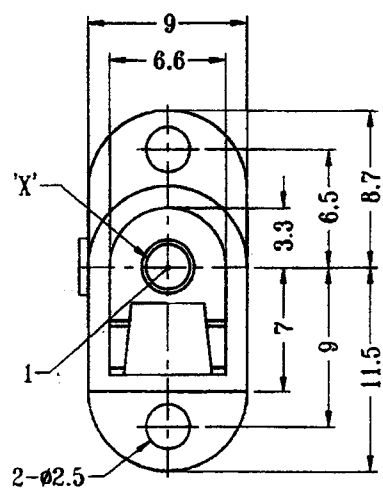


RoHS
Compliant
Drawing For
Reference Only



Model No	DIA	Finish
DS-205A	Ø2.50	Ni Plated
DS-205B	Ø2.00	Ni Plated

Technical requirement :

1. This product should meet EU RoHS related requirement.
2. The surface of plastic part should be without any crackle such as burr,lack,and so on phenomenon.
3. The surface of metal part should be without any defect such as scaur,nick,oxidation and plating problem.
4. The electronic performance should be the same as spec.
5. The un-specified tolerance is : -6 ± 0.2
$6\sim 20\pm 0.3$
$>20\pm 0.4$

規格 Specifications

額定負荷 Ratings	DC 30V 0.3 A
絶縁電阻 Insulation Resistance	DC 500V 60 Sec. 100 mΩ Min
抗電強度 Dielectric Voltage	AC 500V (50~60Hz) 60 Sec.
操作力 Operating Force (Kgf)	挿入力 (Insertion Force) 0.3 ~3.0
	抜出力 (Extraction Force) 0.3 ~3.0
負荷寿命 Operating Life With Load	5,000 次 Cycles

DCI DRAGON CITY INDUSTRIES LIMITED			Design	K.W Law	Remark	Scale
Item Name	DC POWER JACK	Tolerance :	Drawing	W.K Yeung	Remark	Material
Item No.	DS-205(SL)	Unit : mm	Check	K.L Wong	Remark	Drawing No. A311111215
			Approval	K.W Chan	Remark	Sheet