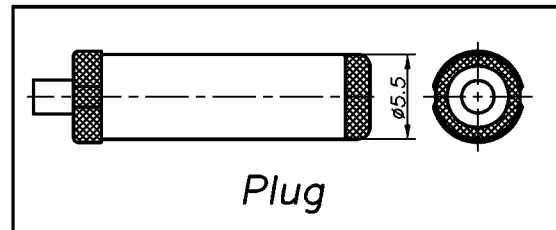
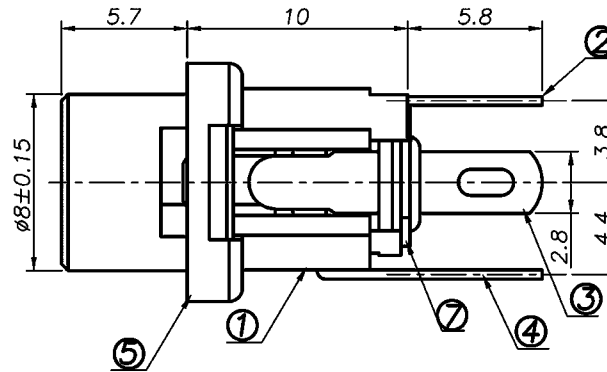
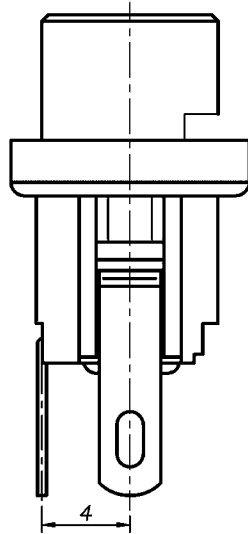
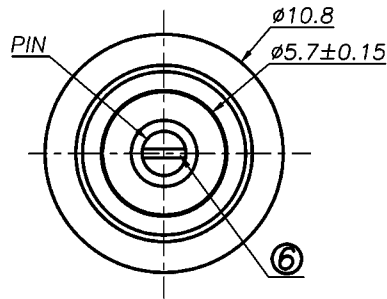
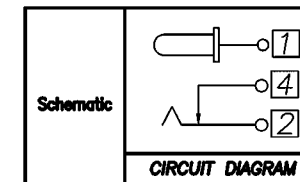
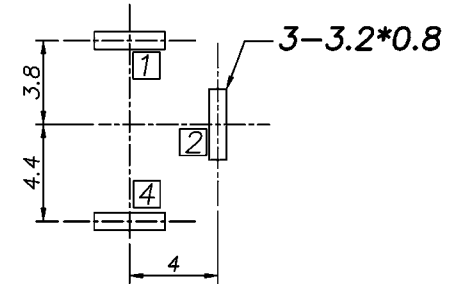


**RoHS
Compliant
Drawing For
Reference Only**



P. C. B Layout
(Copper-sided view)



□: TERMINAL NO.

SPECIFICATION

1. Rating : 30V 3.0A;
2. Contact resistance: $\leq 30m\Omega$;
3. Insulation resistance: $\geq 100M\Omega$ (DC250V);
4. Withstand voltage: 500VAC ;
5. Insertion and extraction force: 3-30N;
6. life test: 5,000 cycles.

Model No.	DS-027B(NB)	DS-027A(NB)
PIN	$\phi 2.0$	$\phi 2.5$

Technical requirement :

1. This product should meet EU RoHS related requirement.
2. The surface of plastic part should be without any crackle such as burr,lack,and so on phenomenon.
3. The surface of metal part should be without any defect such as scaur,nick,oxidation and plating problem.
4. The electronic performance should be the same as spec.
5. The un-specified tolerance is : $< -6 \pm 0.2$
 $6 \sim 20 \pm 0.3$
 $> 20 \pm 0.4$

7	Washer	2	Bakelite	
6	Pin	1	Bronze	Ni-Plating
5	Bushing	1	Brass	Ni-Plating
4	Shunt Terminal	4	Brass	Cu-Sn-Plating
3	Tip Spring	2	Phosphor bronze	Cu-Sn-Plating
2	Center pin terminal	1	Brass	Cu-Sn-Plating
1	Housing	1	PBT	Black
NO.	DESCRIPTION	QTY	MATERIAL	PLATING

DCI DRAGON CITY INDUSTRIES LIMITED

Item Name	DC POWER JACK	Tolerance :	Design	K.W Law	Remark	Scale
Item No.	DS-027A(NB)	Unit : mm	Drawing	W.K Yeung	Remark	Material
			Check	K.L Wong	Remark	Drawing No. A20911-1545
			Approval	K.W Chan	Remark	Sheet