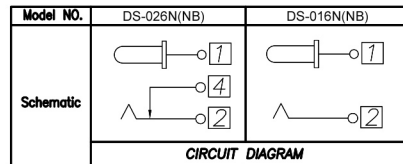
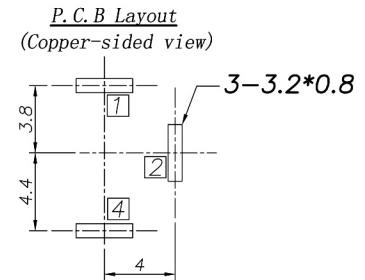
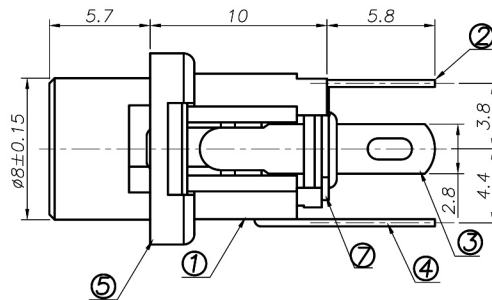
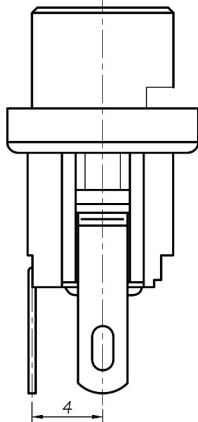
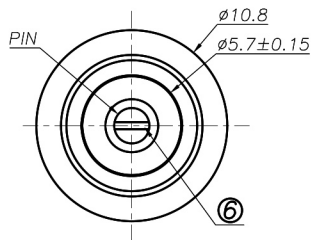


**RoHS  
Compliant  
Drawing For  
Reference Only**

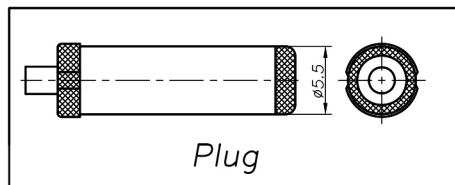


□: TERMINAL NO.

|           |              |              |
|-----------|--------------|--------------|
| Model No. | DS-016NB(NB) | DS-016NA(NB) |
|           | DS-026NB(NB) | DS-026NA(NB) |
| PIN       | $\phi 2.0$   | $\phi 2.5$   |

**SPECIFICATION**

1. Rating : 30V 3.0A;
2. Contact resistance:  $\leq 30m\Omega$ ;
3. Insulation resistance:  $\geq 100M\Omega$  (DC250V);
4. Withstand voltage: 500VAC ;
5. Insertion and extraction force: 3-30N;
6. life test: 5,000 cycles.



**Technical requirement :**

1. This product should meet EU RoHS related requirement.
2. The surface of plastic part should be without any crackle such as burr,lack,and so on phenomenon.
3. The surface of metal part should be without any defect such as scour,nick,oxidation and plating problem.
4. The electronic performance should be the same as spec.

|   |                     |             |                 |               |         |
|---|---------------------|-------------|-----------------|---------------|---------|
| 7 | Washer              | 2           | Bakelite        |               |         |
| 6 | Pin                 | 1           | Bronze          | Ni-Plating    |         |
| 5 | Bushing             | 1           | Brass           | Ni-Plating    |         |
| 4 | Shunt Terminal      | 4           | Brass           | Cu-Sn-Plating |         |
| 3 | Tip Spring          | 2           | Phosphor bronze | Cu-Sn-Plating |         |
| 2 | Center pin terminal | 1           | Brass           | Cu-Sn-Plating |         |
| 1 | Housing             | 1           | PBT             | Black         |         |
|   | NO.                 | DESCRIPTION | QTY             | MATERIAL      | PLATING |

| TOLERANCE | ANGLES   |
|-----------|----------|
| $\pm 0.3$ | $\pm 2'$ |

**DCI DRAGON CITY INDUSTRIES LIMITED**

|           |                            |             |          |           |        |                        |
|-----------|----------------------------|-------------|----------|-----------|--------|------------------------|
| Item Name | DC POWR JACK               | Tolerance : | Design   | K.W Law   | Remark | Scale                  |
| Item No.  | DS-016N(NB ) / DS-026N(NB) | Unit : mm   | Drawing  | W.K Yeung | Remark | Material               |
|           |                            |             | Check    | K.L Wong  | Remark | Drawing No. A412301045 |
|           |                            |             | Approval | K.W Chan  | Remark | Sheet                  |