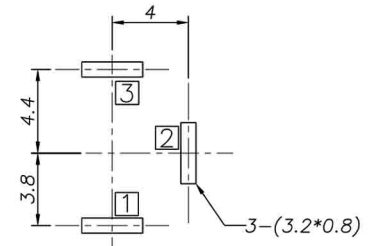
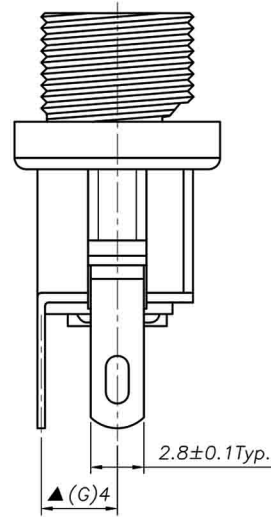
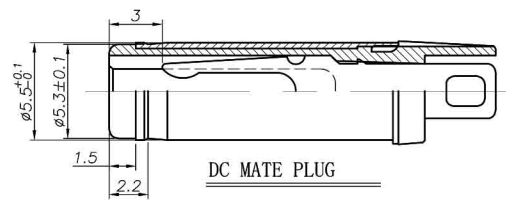
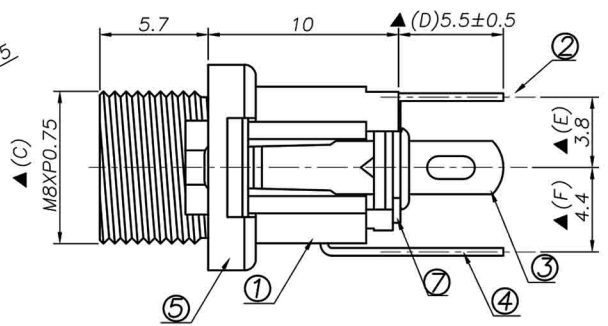
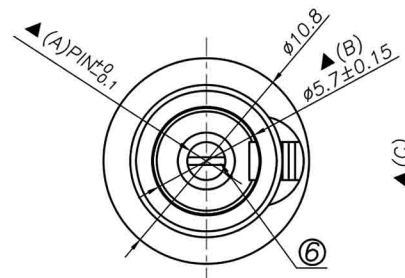
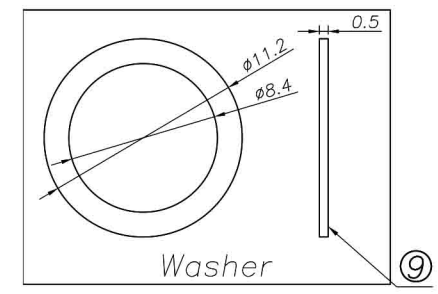
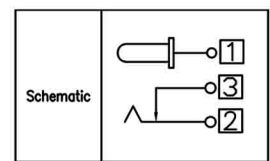
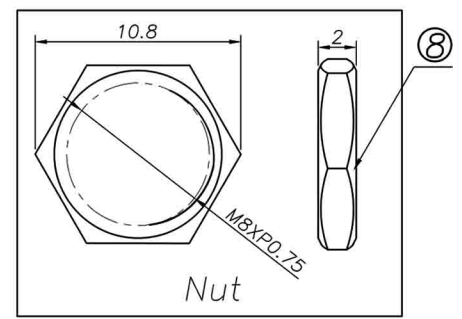


**RoHS Compliant**  
**Drawing For Reference Only**



RECOMMENDED P. C. B. LAYOUT  
 UNSPECIFIED TOLERANCE:  $\pm 0.05$   
 (TOP VIEW)



- Specification:**
- Rating : DC12V 10A .
  - Contact resistance:  $\leq 30\text{m}\Omega$ .  
After test:  $\leq 50\text{m}\Omega$
  - Insulation resistance:  $\geq 100\text{M}\Omega$  (500VDC).  
After test:  $\geq 50\text{M}\Omega$
  - Withstanding voltage: 500VAC.
  - Insertion and extraction force: 3N~30N.
  - life test: 5000cycles min.
  - Operation temperature range:  $-20^{\circ}\text{C} \sim 70^{\circ}\text{C}$ .
  - Preservative temperature range:  $-40^{\circ}\text{C} \sim 85^{\circ}\text{C}$ .
  - Sign "▲" is importance dimension.

Model No.	DS-026A-NB	DS-026B-NB
Pin	$\phi 2.5$	$\phi 2.0$

- Technical requirement :**
- This product should meet EU RoHS related requirement.
  - The surface of plastic part should be without any crackle such as burr,lack,and so on phenomenon.
  - The surface of metal part should be without any defect such as scour,nick,oxidation and plating problem.
  - The electronic performance should be the same as spec.

⑨	Washer-2	1	Spcc	Nickel plating			
⑧	Nut	1	Brass	Nickel plating			
⑦	Washer-1	2	Bakelite				
⑥	Pin	1	Bronze	Nickel plating			
⑤	Bushing	1	Brass	Nickel plating			
④	Shunt Terminal	③	1	Brass	Copper&tin plating		
③	Tip Spring	②	1	Phosphor bronze	Copper&tin plating		
②	Center pin terminal	①	1	Brass	Copper&tin plating		
①	Housing		1	PBT	Black		
	TOLERANCE	ANGLES	NO.	DESCRIPTION	QTY	MATERIAL	REMARK
	$\pm 0.3$	$\pm 2'$					

**DCI DRAGON CITY INDUSTRIES LIMITED**

Item Name	DC POWER JACK	Tolerance :	Design	K.W Law	Remark	Scale
Item No.	DS-026-NB	Unit : mm	Drawing	W.K Yeung	Remark	Material
			Check	K.L Wong	Remark	Drawing No.
			Approval	K.W Chan	Remark	Sheet

B010281120