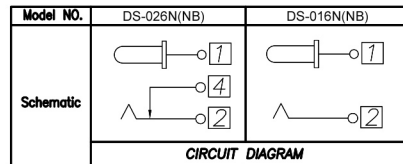
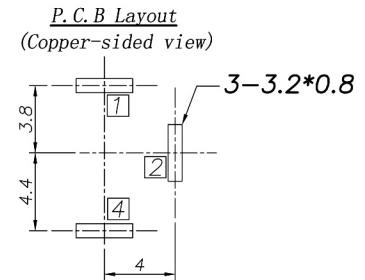
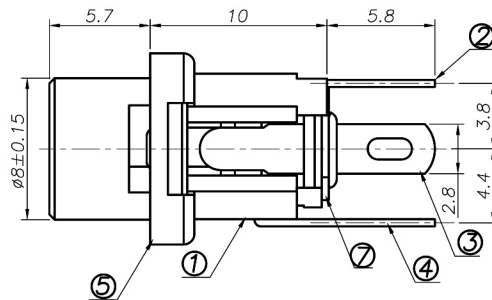
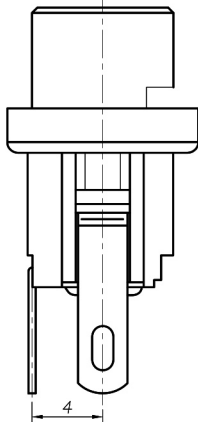
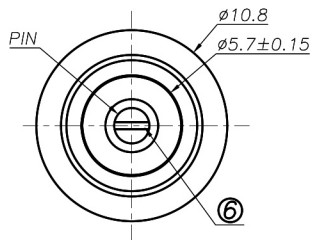


**RoHS  
Compliant  
Drawing For  
Reference Only**

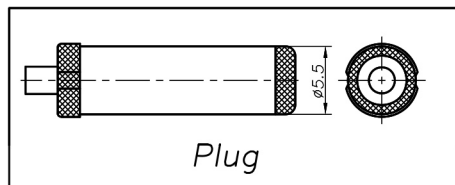


□: TERMINAL NO.

Model No.	DS-016NB(NB)	DS-016NA(NB)
	DS-026NB(NB)	DS-026NA(NB)
PIN	$\phi 2.0$	$\phi 2.5$

**SPECIFICATION**

1. Rating : 30V 3.0A;
2. Contact resistance:  $\leq 30m\Omega$ ;
3. Insulation resistance:  $\geq 100M\Omega$  (DC250V);
4. Withstand voltage: 500VAC ;
5. Insertion and extraction force: 3-30N;
6. life test: 5,000 cycles.



**Technical requirement :**

1. This product should meet EU RoHS related requirement.
2. The surface of plastic part should be without any crackle such as burr,lack,and so on phenomenon.
3. The surface of metal part should be without any defect such as scour,nick,oxidation and plating problem.
4. The electronic performance should be the same as spec.

7	Washer	2	Bakelite		
6	Pin	1	Bronze	Ni-Plating	
5	Bushing	1	Brass	Ni-Plating	
4	Shunt Terminal	4	Brass	Cu-Sn-Plating	
3	Tip Spring	2	Phosphor bronze	Cu-Sn-Plating	
2	Center pin terminal	1	Brass	Cu-Sn-Plating	
1	Housing	1	PBT	Black	
	NO.	DESCRIPTION	QTY	MATERIAL	PLATING

TOLERANCE	ANGLES
$\pm 0.3$	$\pm 2'$

**DCI DRAGON CITY INDUSTRIES LIMITED**

Item Name	DC POWR JACK	Tolerance :	Design	K.W Law	Remark	Scale
Item No.	DS-016N(NB ) / DS-026N(NB)	Unit : mm	Drawing	W.K Yeung	Remark	Material
			Check	K.L Wong	Remark	Drawing No. A412301045
			Approval	K.W Chan	Remark	Sheet