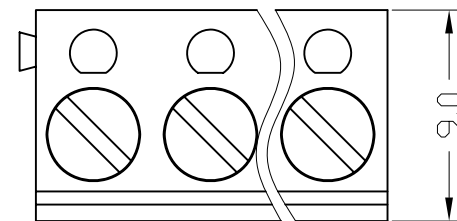
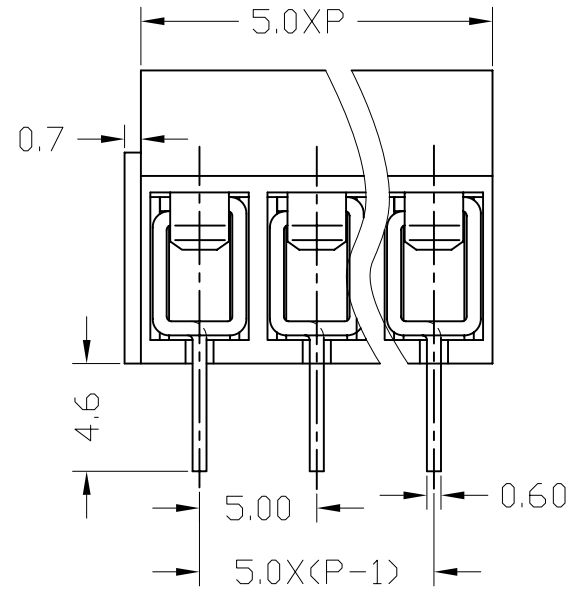
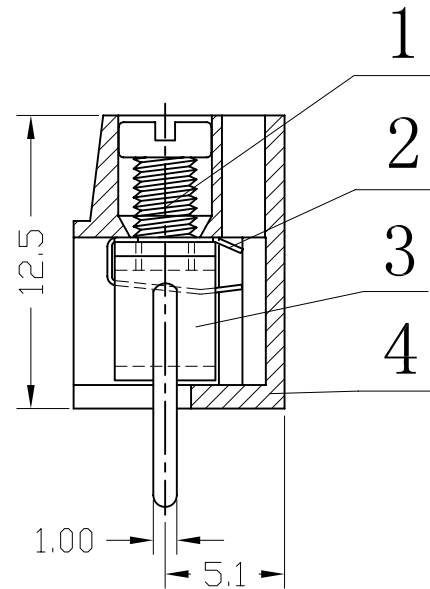


序号/RevNo.	名称/Title	文件编号/File No.
1	XY305螺丝	QJ/XYT-2126103
2	XY305簧片	QJ/XYT-2126102
3	XY305端子	QJ/XYT-2126101
4	XY305A塑件	QJ/XYT-2126106



300V 15A 22-14AWG 2.5mm²

Poles: 2P&3P-24P

Pitch: 5.0mm(.197")

Materials

Housing: PBT(UL 94V-0)

Wire Protector: Stainless steel

Solder Pin: Brass, Tin Plated

Screw: M2.5, Steel (A3), Zinc Plated

Torque: 0.4N.m

设计/Designed by	绘图/Drawing by	审核/Checked by	批准/Approved by	未注公差 General Tolerance	
				x. ±0.2	x.° ±2°
				.x ±0.1	.x° ±1°
				.xx ±0.05	.xx° ±0.5°
图名/Title: XY305A-5.0 产品图 文件编号/File No.: QJ/XYT-2226100 页序/Sheet:				.xxx ±0.01	
备注/Remark			单位/Units: mm		

序号/RevNo.	更改记录/Revision note	签名/Signature	日期/Date