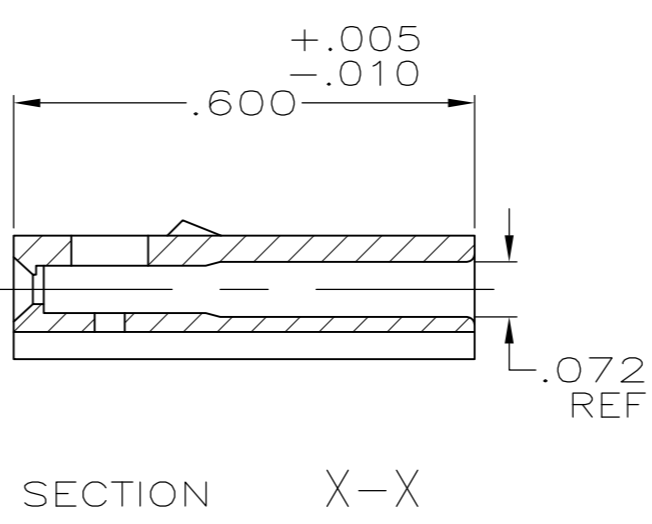
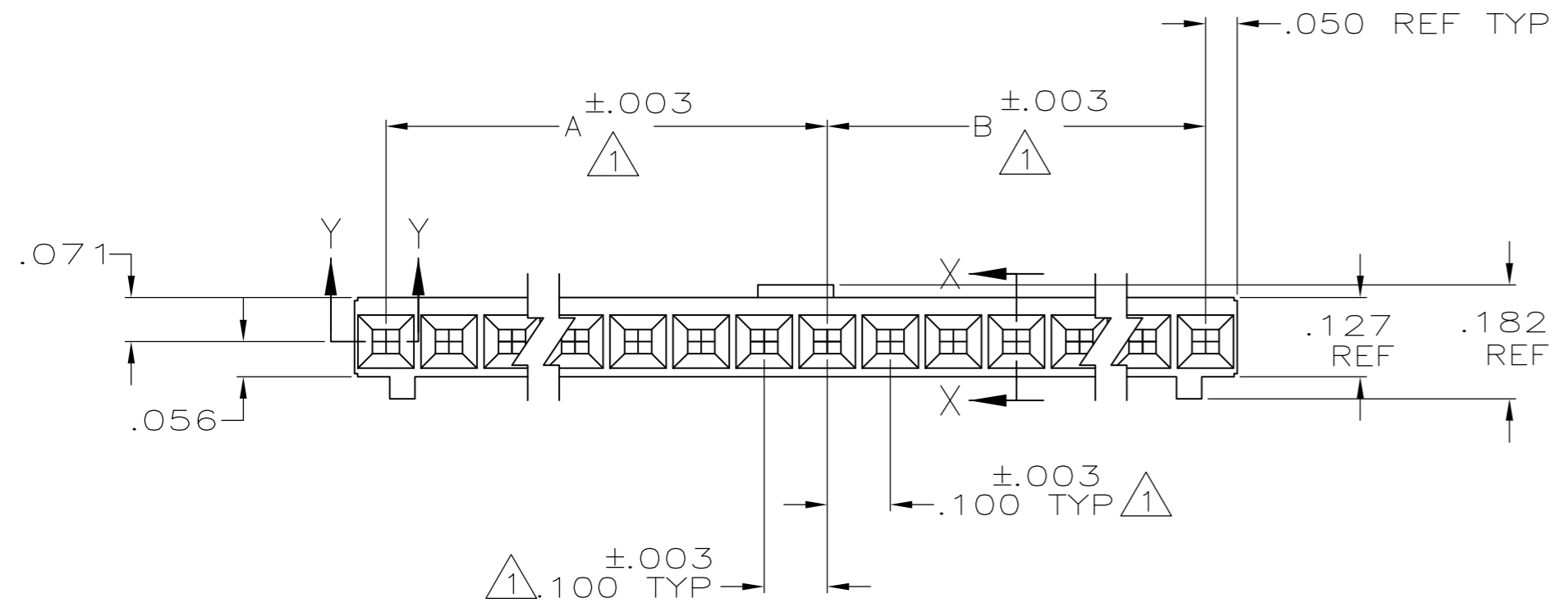
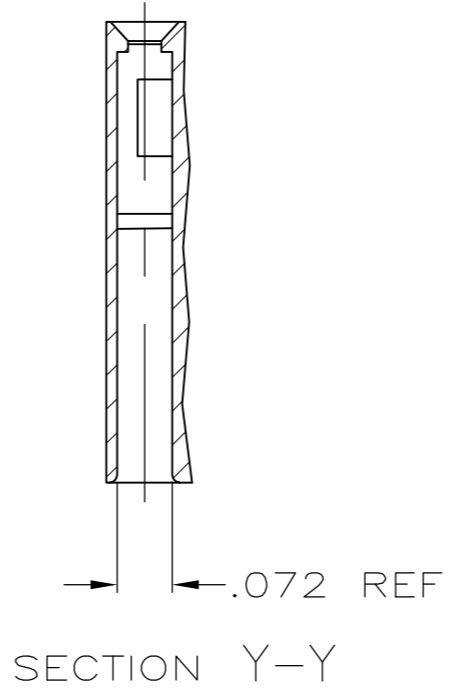
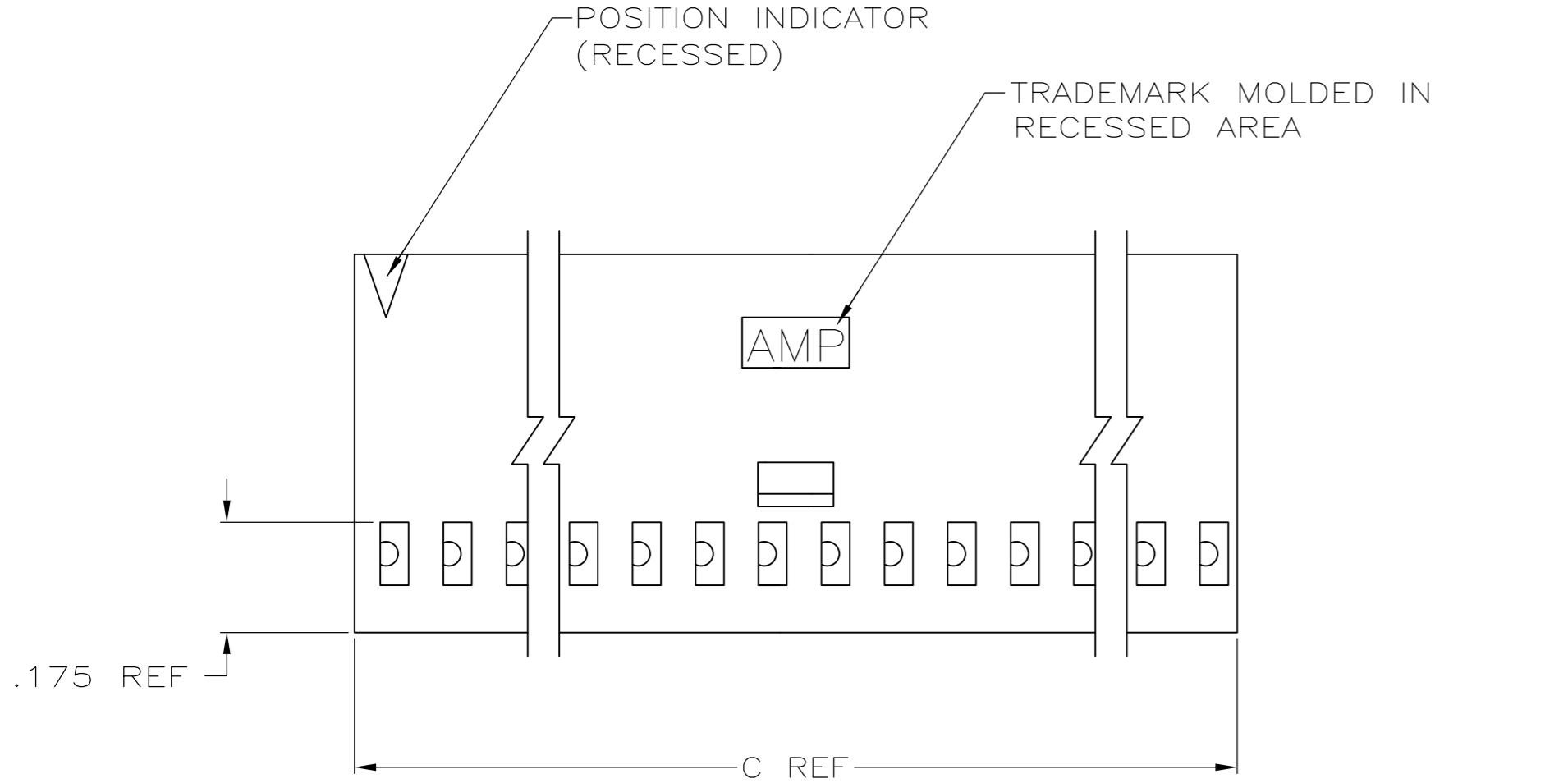


THIS DRAWING IS UNPUBLISHED. RELEASED FOR PUBLICATION
 © COPYRIGHT - By - ALL RIGHTS RESERVED.

LOC	DIST	REVISIONS					
AD	39	P	LTR	DESCRIPTION	DATE	DWN	APVD
		N3		REVISED PER ECO-11-004587	11MAR11	RK	HMR



 OBSOLETE	3.600	1.700	1.800	36	3-102241-4	
	3.500	1.700	1.700	35	3-102241-3	
	3.400	1.600	1.700	34	3-102241-2	
	3.300	1.600	1.600	33	3-102241-1	
	3.200	1.500	1.600	32	3-102241-0	
	3.100	1.500	1.500	31	2-102241-9	
	3.000	1.400	1.500	30	2-102241-8	
	2.900	1.400	1.400	29	2-102241-7	
	2.800	1.300	1.400	28	2-102241-6	
	2.700	1.300	1.300	27	2-102241-5	
	2.600	1.200	1.300	26	2-102241-4	
	2.500	1.200	1.200	25	2-102241-3	
	2.400	1.100	1.200	24	2-102241-2	
	2.300	1.100	1.100	23	2-102241-1	
	2.200	1.000	1.100	22	2-102241-0	
	 OBSOLETE	2.100	1.000	1.000	21	1-102241-9
		2.000	.900	1.000	20	1-102241-8
		1.900	.900	.900	19	1-102241-7
		1.800	.800	.900	18	1-102241-6
		1.700	.800	.800	17	1-102241-5
		1.600	.700	.800	16	1-102241-4
		1.500	.700	.700	15	1-102241-3
		1.400	.600	.700	14	1-102241-2
	1.300	.600	.600	13	1-102241-1	
	1.200	.500	.600	12	1-102241-0	
	1.100	.500	.500	11	102241-9	
	1.000	.400	.500	10	102241-8	
	.900	.400	.400	9	102241-7	
	.800	.300	.400	8	102241-6	
	.700	.300	.300	7	102241-5	
	.600	.200	.300	6	102241-4	
	.500	.200	.200	5	102241-3	
	.400	.100	.200	4	102241-2	
	.300	.100	.100	3	102241-1	
	C	B	A	NO OF POS	PART NUMBER	

- ① CAVITY LOCATION DIMENSIONS INCREASE IN INCREMENTS OF .100 TOLERANCE NON-CUMULATIVE
- 2 USE EXTRACTION TOOL 91052-1 TO REMOVE RECEPTACLE CONTACTS
- ③ OBSOLETE PARTS: OBSOLETE CIS STREAMLINING PER D.RENAUD/D.SINISI

THIS DRAWING IS A CONTROLLED DOCUMENT.

DWN: D FABIAN 8-2-78
 CHK: B WOLFE 10-27-78

TE Connectivity

CONN HOUSING, CRIMP SNAP-IN
 MOD IV, SINGLE ROW, .100
 CENTERS, WITH POLARIZATION AND DETENTS

SIZE: A2 CAGE CODE: 00779 DRAWING NO: C=102241

MATERIAL: GLASS FILLED NYLON, FLAME RETARDANT, COLOR: BLACK PER ASTM D4066

FINISH: -

WEIGHT: -

CUSTOMER DRAWING

SCALE: - SHEET: 1 OF 1 REV: N3

Mouser Electronics

Authorized Distributor

Click to View Pricing, Inventory, Delivery & Lifecycle Information:

[TE Connectivity:](#)

[102241-4](#)