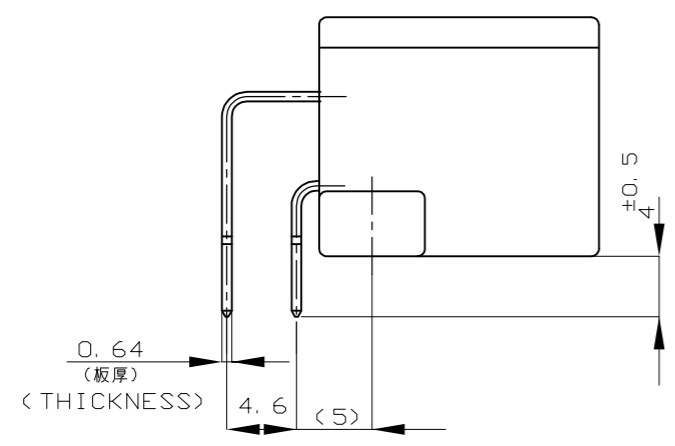
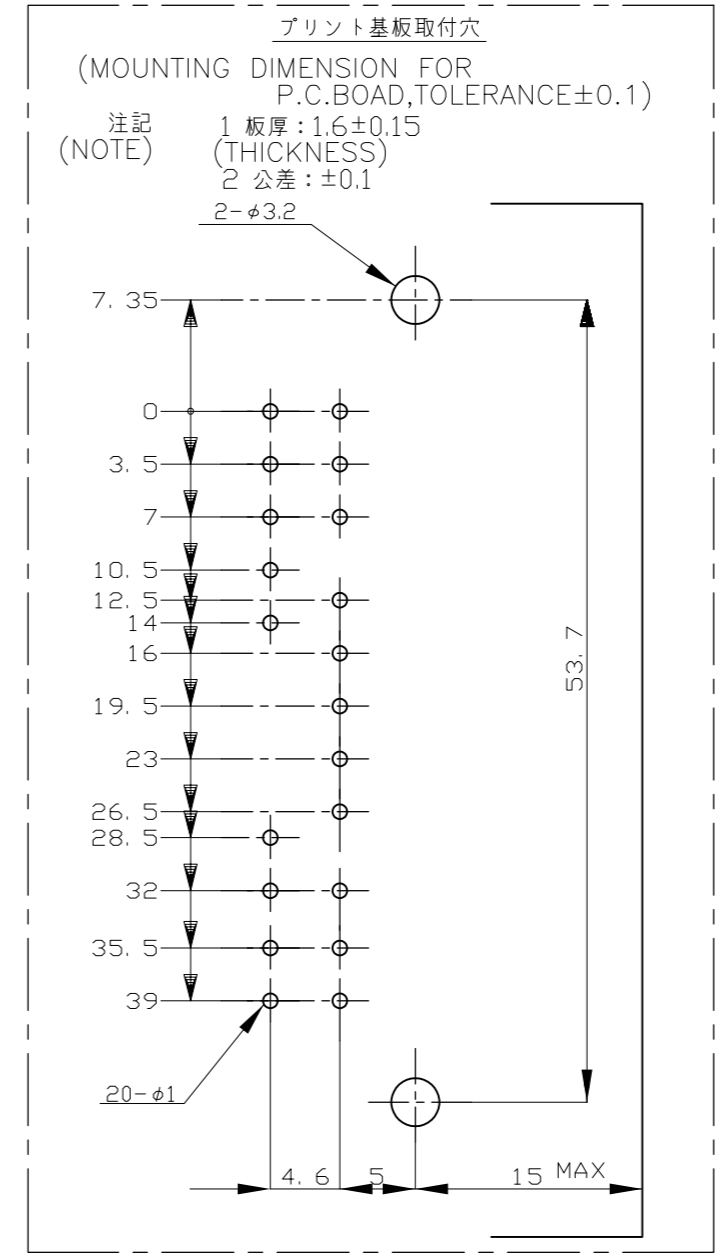
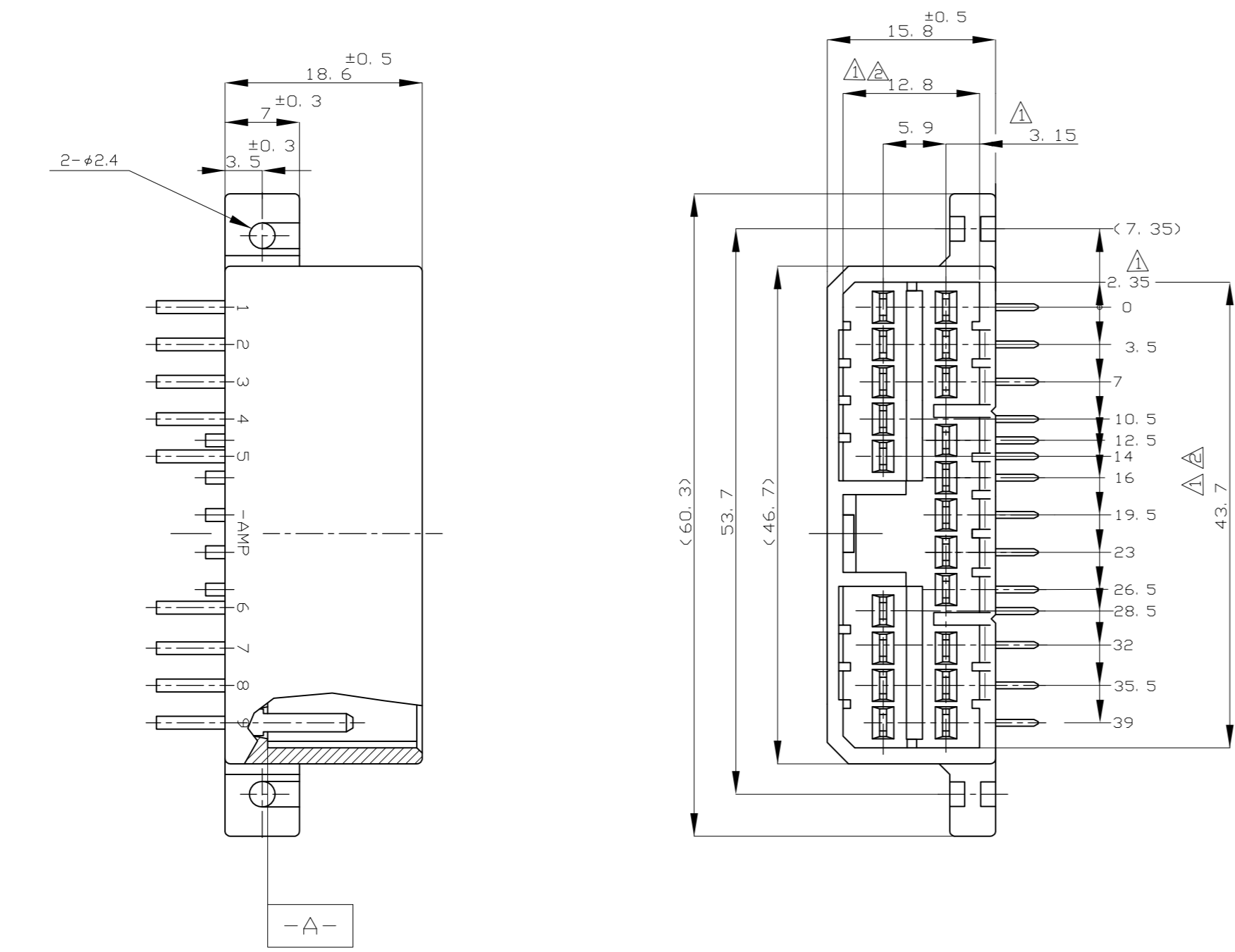


THIS DRAWING IS UNPUBLISHED. RELEASED FOR PUBLICATION  
 © COPYRIGHT 2004 By - ALL RIGHTS RESERVED.

LOC		DIST		REVISIONS			
J	-	P	LTR	DESCRIPTION	DATE	DWN	APVD
		D4		REVISED PER ECO-11-005140	28MAR11	RK	HMR



注記  $\triangle$   $\square$ -A- 面より2mmの範囲で測定  
 $\triangle$  相手ハウジング (型番: 174952) と所定の機能を満たして嵌合できること  
 3 プリント基板への取付けは、JIS-B1115又は1122, M3X6ナベ (2種又は4種) のタッピングネジで締め付けた後ハンダ付けする。(締め付けトルク: 4kg-cm以下)

NOTE  $\triangle$  MUST BE KEPT BETWEEN  $\square$ -A- AND 2 TO MATE WITH PLUG HSG (P/N 174952) SMOOTHLY  
 3 RECOMMEND MOUNTING SCREW; M3X6 PAN HEAD, CLASS 2 TAPPING SCREW SPECIFIED IN JIS B1115, B1122 (TIGHTENING TORQUE; 4Kg-cm MAX)

TOLERANCE UNLESS OTHERWISE SPECIFIED:  
 一般公差

0 < * ≤ 10	: ±0.2
10 < * ≤ 30	: ±0.25
30 < * ≤ 100	: ±0.3

ANGLE : ±3°  
 角度

OBSOLETE	BRASS	SELECTIVE-TIN	PRE-TIN	BLACK	9-175785-2
	BRASS		PRE-TIN	GRAY	175785-6
	BRASS	SELECTIVE-TIN (MATTE)	SELECTIVE GOLD	WHITE	175785-3
	PHOSPHOR BRONZE		PRE-TIN	WHITE	175785-2
	BRASS		PRE-TIN	WHITE	175785-1
	CONTACT MATERIAL	SOLDERING SIDE 半田付け部	CONTACT SIDE 接触部側	COLOR 色	PART NUMBER 製品型番
		CONTACT FINISH コンタクト仕上げ			

THIS DRAWING IS A CONTROLLED DOCUMENT.

DIMENSIONS: 単位: 純 mm	TOLERANCES UNLESS OTHERWISE SPECIFIED: 一般公差	DWN A.YAMAGUCHI 19FEB04												
	<table border="1"> <tr> <td>0 PLC</td> <td>±</td> </tr> <tr> <td>1 PLC</td> <td>-</td> </tr> <tr> <td>2 PLC</td> <td>-</td> </tr> <tr> <td>3 PLC</td> <td>-</td> </tr> <tr> <td>4 PLC</td> <td>-</td> </tr> </table>	0 PLC		±	1 PLC	-	2 PLC	-	3 PLC	-	4 PLC	-	CHK K.BETSUI 19FEB04	NAME 070 SERIES MULTILOCK I/O CONNECTOR 20POSITION CAP HOUSING (W-B(H-TYPE))
		0 PLC		±										
1 PLC	-													
2 PLC	-													
3 PLC	-													
4 PLC	-													
MATERIAL HSG:PBT 材料	FINISH 仕上	APVD K.BETSUI 19FEB04	SIZE A2											
	SEE TABLE	PRODUCT SPEC 108-5216	CAGE CODE 00779											
		APPLICATION SPEC 取付適用規格	DRAWING NO. 175785											
		WEIGHT -	RESTRICTED TO -											
		CUSTOMER DRAWING	SCALE 2:1 SHEET 1 OF 1 REV D4											

# Mouser Electronics

Authorized Distributor

Click to View Pricing, Inventory, Delivery & Lifecycle Information:

[TE Connectivity:](#)

[175785-1](#)