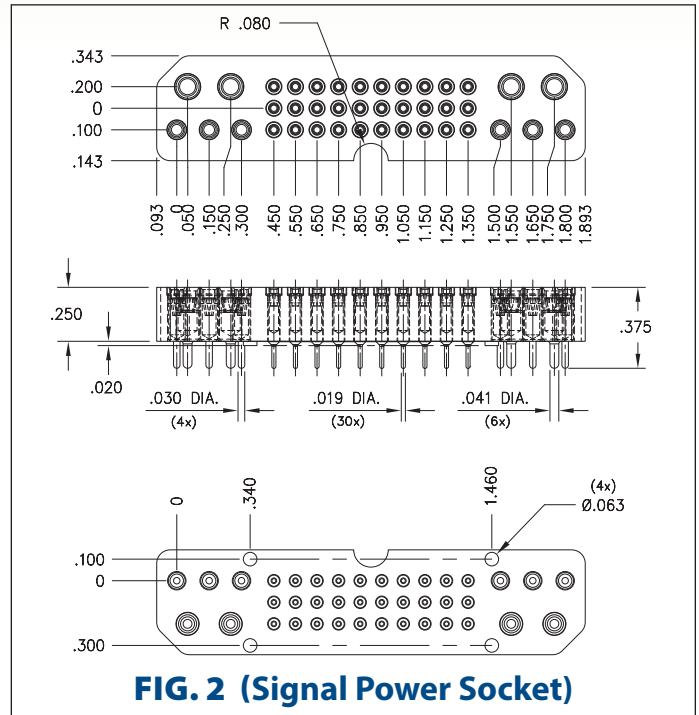
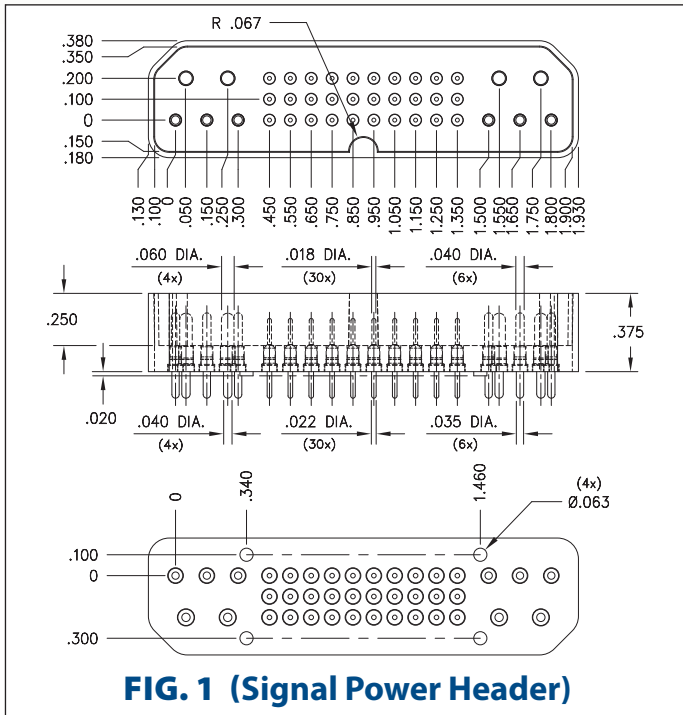


# INTERCONNECTS

## SERIES 808 & 809 • .100" GRID (.018" DIA. PINS), STRAIGHT, SIGNAL POWER SHROUDED HEADER & SOCKET CONNECTOR



- Series 808 and 809 signal power header & socket have a mated height of .415"
- Series 808 headers have .018" diameter (MM #3503), .040" diameter (MM #3502) and .060" diameter (MM #3501) solder tails. See pages 213 and 214 for details
- Series 809 sockets use MM #0405-0, #8852-0 and #9324-0 receptacles. See pages 170, 182 and 189 for details
- Receptacles use Hi-Rel, 4-finger BeCu #32 and #34 contacts & Hi-Rel, 6-finger BeCu #23 contacts. See pages 253, 258 and 260 for details
- Insulators are high temperature thermoplastic, suitable for most soldering processes, and feature standoffs to promote solder flow

### ORDERING INFORMATION

<b>FIG. 1</b>	<b>Series 808...151</b>	<b>Shrouded Signal Power Header</b>			
	808-10-040-10-151000				
		<b>XX=Plating Code</b> See Below		<i>For Electrical, Mechanical &amp; Environmental Data, See page 264</i>	
<b>SPECIFY PLATING CODE XX=</b>		10			
Pin Plating		10 μ" Au			

<b>FIG. 2</b>	<b>Series 809...001</b>	<b>Signal Power Socket</b>			
	809-43-040-10-001000				
		<b>XX=Plating Code</b> See Below		<i>For Electrical, Mechanical &amp; Environmental Data, See page 264</i>	
<b>SPECIFY PLATING CODE XX=</b>				43	
Sleeve (Pin)				200 μ" Sn	
Contact (Clip)				30 μ" Au	



# Mouser Electronics

Authorized Distributor

Click to View Pricing, Inventory, Delivery & Lifecycle Information:

[Mill-Max:](#)

[809-43-040-10-001000](#) [808-10-040-10-151000](#)