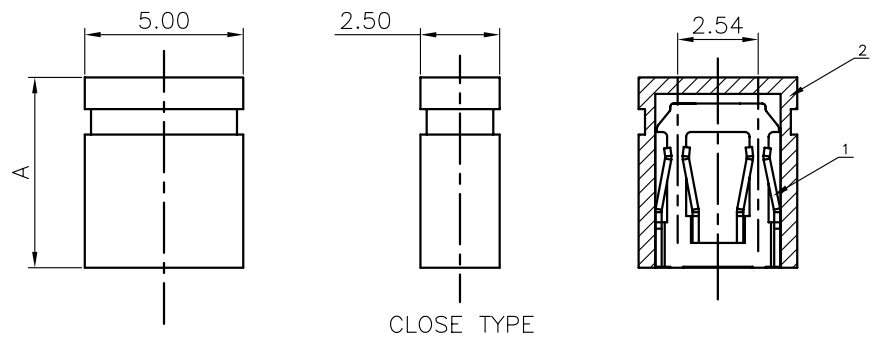
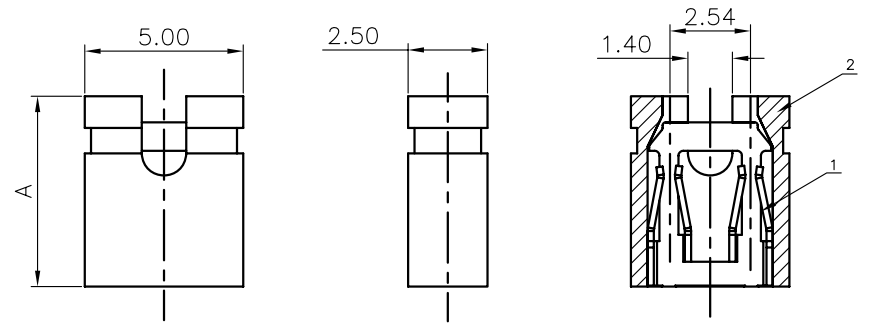


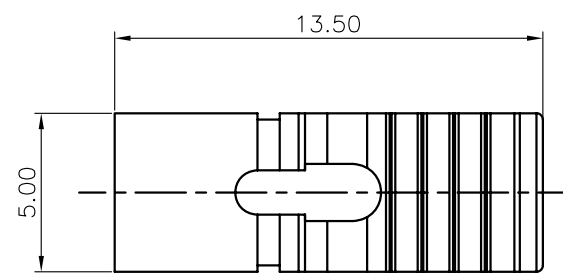
REV.	DESCRIPTION	DRAWN	CHECKED	APPROVED
A	NEW RELEASE	LL 12/04/06'		



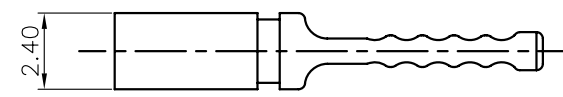
CLOSE TYPE



OPEN TYPE



LONG TYPE



NOTES:

1. SPECIFICATION:

- 1.1 CONTACT RESISTANCE: 30mΩ MAX.
- 1.2 DIELECTRIC WITHSTANDING VOLTAGE: 250V AC(rms) FOR 1 MINUTE.
- 1.3 INSULATION RESISTANCE: 500MΩ Min.
- 1.4 OPERATING TEMPERATURE: -20°C~+80°C.

2. PRODUCT NUMBER CODE:

DS1027 - X X X X X

- PROFILE HEIGHT(DIM A):
0:6.0mm
1:6.47mm
- CONTACT PLATING:
F1: FULL GOLD FLASH
N: NICKEL
2: GOLD+NICKEL
- HOUSING COLOR:
B: BLACK U:BLUE Y:YELLOW
W: WHITE E:GREEN R:RED
- HOUSING TYPE:
A:OPEN B:CLOSE L:Long
- No.OF CONTACTS:
2: 2pin
- SERIES No:
DS1027

GENERAL TOLERANCE		ANGLE TOLERANCE	
X.	±0.60	X.	±5°
.X	±0.38	.X	±3°
.XX	±0.25	.XX	±2°

PROJECTION	TITLE
	MINI JUMPER PITCH 2.54mm
UNITS	mm
SHEET SIZE	A4
SERIES	DS1027 SERIES
MJ-0-A 2.54 mm MJ-0-B 2.54 mm	

2	HOUSING		PBT	SEE NOTES	DRAWING TYPE	CUSTOMER		
1	CONTACT		COPPER ALLOY	SEE NOTES	SCALE	1:1	SHEET	1 OF 1
ITEM	PART NAME	PART NO.	MATERILAS	FINISHED	DRAWING NO.	C-DS1027-XXXXX		