

**Product Specification**

---

# NHD-3.5-640480EF-MSXP

## TFT Liquid Crystal Display

<b>NHD-</b>	Newhaven Display
<b>3.5-</b>	3.5" Diagonal
<b>640480-</b>	640 x 480 Pixels
<b>EF-</b>	Model
<b>M-</b>	MIPI Interface
<b>S-</b>	High Brightness, White LED Backlight
<b>X-</b>	TFT
<b>P-</b>	IPS, Wide Temperature

## Table of Contents

Document Revision History.....	2
Mechanical Drawing .....	3
Pin Description .....	4
Interface Selection.....	5
Wiring Diagram .....	5
Electrical Characteristics .....	6
Optical Characteristics: .....	6
Driver/Controller Information .....	6
Timing Characteristics.....	7
Quality Information.....	13

---

## Additional Resources

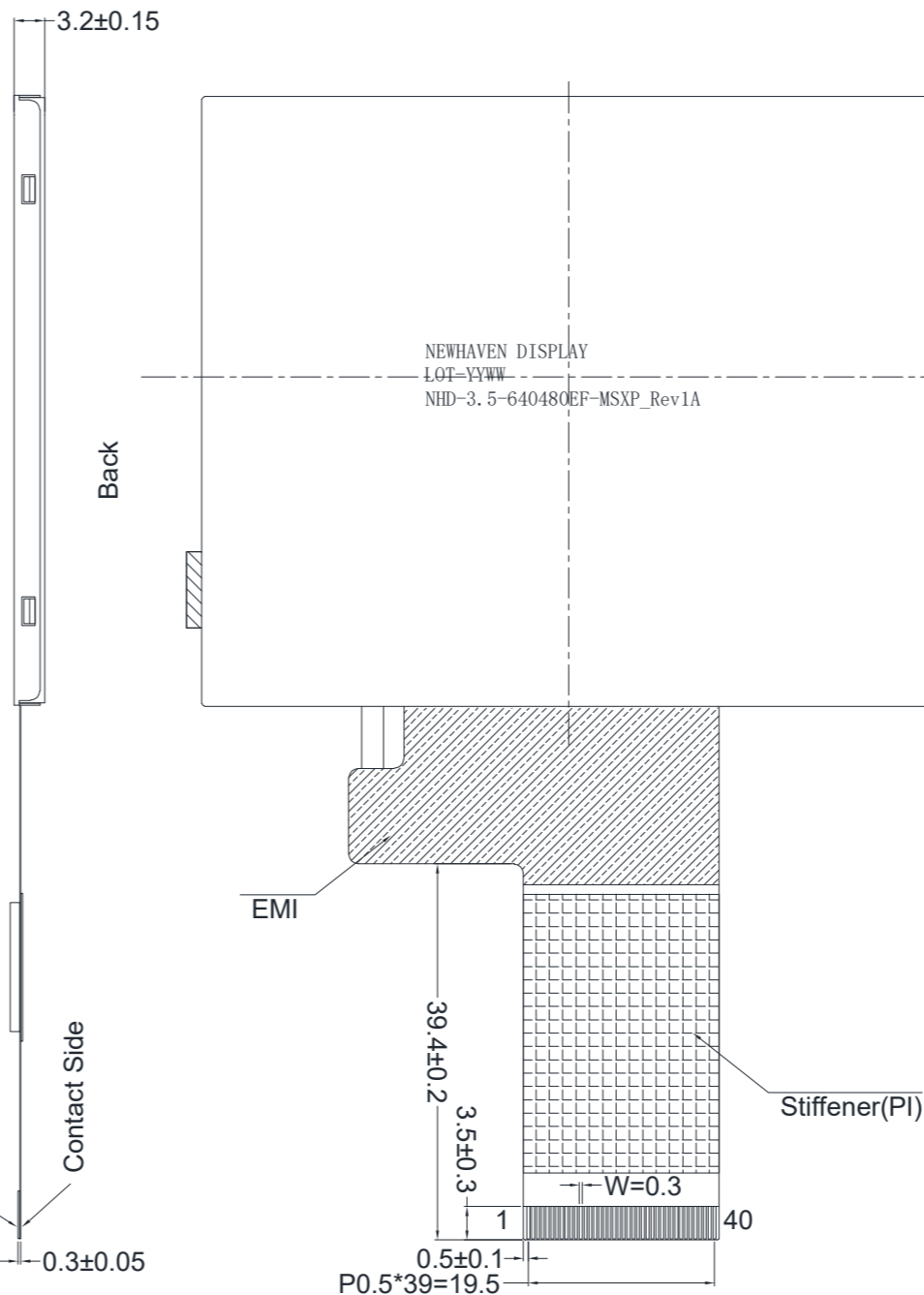
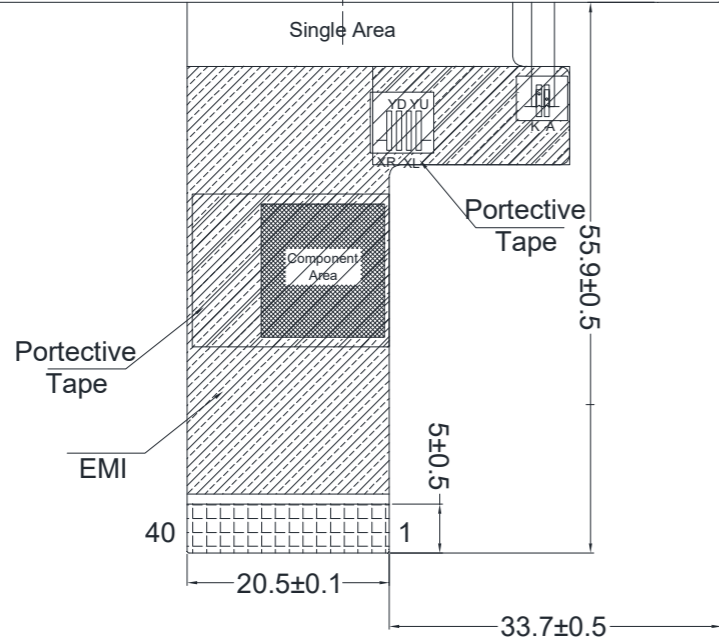
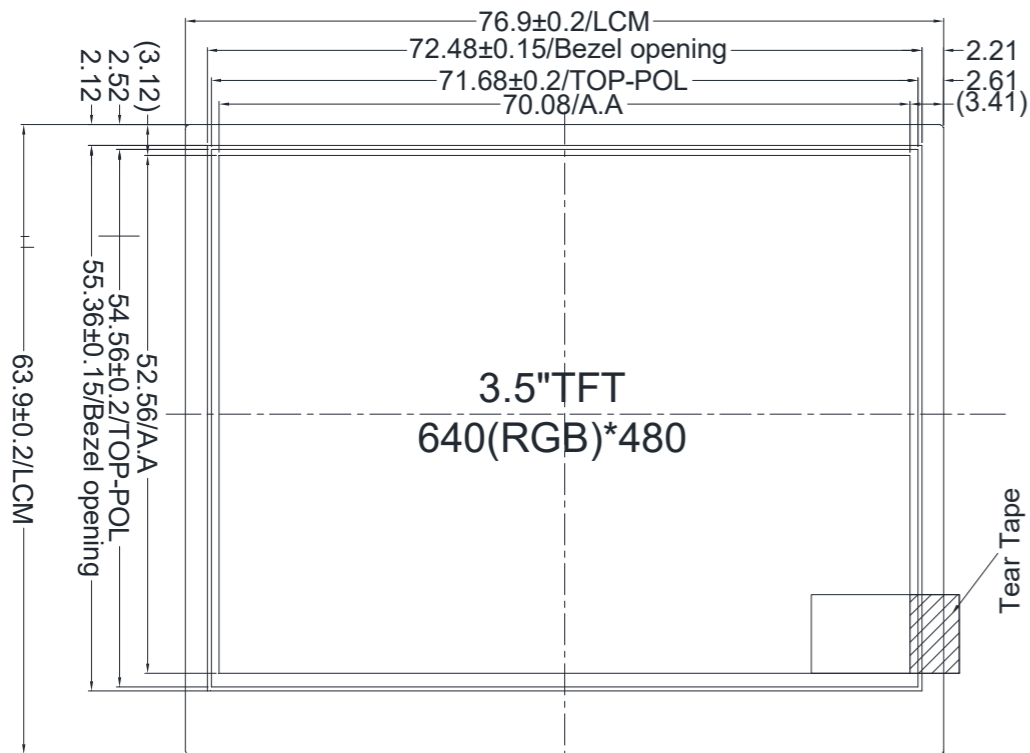
- **Support Forum:** <https://support.newhavendisplay.com/hc/en-us/community/topics>
- **GitHub:** <https://github.com/newhavendisplay>
- **Example Code:** <https://support.newhavendisplay.com/hc/en-us/categories/4409527834135-Example-Code/>
- **Knowledge Center:** [https://www.newhavendisplay.com/knowledge\\_center.html](https://www.newhavendisplay.com/knowledge_center.html)
- **Quality Center:** [https://www.newhavendisplay.com/quality\\_center.html](https://www.newhavendisplay.com/quality_center.html)
- **Precautions for using LCDs/LCMs:** <https://www.newhavendisplay.com/specs/precautions.pdf>
- **Warranty / Terms & Conditions:** <https://www.newhavendisplay.com/terms.html>



## Document Revision History

Revision	Date	Description	Changed By
0	03/10/2022	Initial Release	ZP
1	05/27/2022	Electrical & Optical characteristics updated	ZP
2	06/02/2023	Date Code Format Updated on Mechanical Drawing	KL
3	9/14/2023	Pin Description and Interface Information Updated	KL

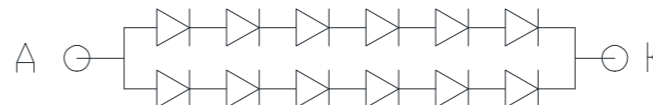
# Mechanical Drawing



PIN	SYMBOL	PIN	SYMBOL
1	LED_K	21	VSS
2	LED_A	22	DSI_D2P
3	NC	23	DSI_D2N
4	VSS	24	VSS
5	VDD	25	DSI_D3P
6	NC	26	DSI_D3N
7	CSX	27	VSS
8	DCX	28	NC
9	SCL	29	RESX
10	SDA	30	VOUT
11	NC	31	HOUT
12	VSS	32	T_IM
13	DSI_D0P	33	IM1
14	DSI_D0N	34	IM0
15	VSS	35	LANSEL
16	DSI_D1P	36	NC
17	DSI_D1N	37	NC(XR)
18	VSS	38	NC(YD)
19	DSI_CP	39	NC(XL)
20	DSI_CN	40	NC(YU)

Product Description: 3.5" 640x480 IPS TFT

1. Driver IC: FL7703NI
2. Interface: MIPI
3. Power Requirement: 3.0V TFT, 19.2V/40mA Backlight
4. Optical Features: Normally Black, Transmissive, Anti-Glare, 950cd/m<sup>2</sup>
5. Recommended FFC Connector: 40pin 0.5mm Pitch
6. EMI Shielded FPC



<b>Standard Tolerance:</b> (Unless otherwise specified)  Linear: ±0.3mm		
	Drawing/Part Number: <b>NHD-3.5-640480EF-MSXP</b>	Revision: <b>1A</b>
<b>Unless otherwise specified:</b> • Dimensions are in Millimeters • Third Angle Projection	Drawn By: K. Lewis	Approved By: K. Lewis
	Drawn Date: 06/02/2023	Approved Date: 06/02/2023
This drawing is solely the property of Newhaven Display International, Inc. The information it contains is not to be disclosed, reproduced or copied in whole or part without written approval from Newhaven Display.		

## Pin Description

### TFT:

Pin No.	Symbol	External Connection	Function Description
1	LED_K	Power Supply	Backlight Cathode
2	LED_A	Power Supply	Backlight Anode
3	NC	-	No Connect
4	VSS	Power Supply	Ground
5	VDD	Power Supply	Supply Voltage for LCD and logic
6	NC	-	No Connect
7	CSX	MPU	Active LOW Chip Select signal.
8	DCX	MPU	Data/Command Selection. Command: 0/LOW; Data: 1/HIGH
9	SCL	MPU	Serial Clock signal
10	SDA	MPU	Serial Data input/output signal
11	NC	-	No Connect
12	VSS	Power Supply	Ground
13	DSI_D0P	MPU	High Speed Interface Data Differential signal
14	DSI_D0N	MPU	High Speed Interface Data Differential signal
15	VSS	Power Supply	Ground
16	DSI_D1P	MPU	High Speed Interface Data Differential signal
17	DSI_D1N	MPU	High Speed Interface Data Differential signal
18	VSS	Power Supply	Ground
19	DSI_CP	MPU	High Speed Interface Clock Differential signal
20	DSI_CN	MPU	High Speed Interface Clock Differential signal
21	VSS	Power Supply	Ground
22	DSI_D2P	MPU	High Speed Interface Data Differential signal
23	DSI_D2N	MPU	High Speed Interface Data Differential signal
24	VSS	Power Supply	Ground
25	DSI_D3P	MPU	High Speed Interface Data Differential signal
26	DSI_D3N	MPU	High Speed Interface Data Differential signal
27	VSS	Power Supply	Ground
28	NC	-	No Connect
29	RESX	MPU	Active LOW Reset signal
30	VOOUT	MPU	Vertical Frame Synchronization output signal
31	HOOUT	MPU	Horizontal Frame Synchronization output signal
32	T_IM	MPU	Test Mode Enable signal
33	IM1	MPU	Polarity and Data Lane swap signal
34	IM0	MPU	Polarity and Data Lane swap signal
35	LANSEL	MPU	Polarity and Data Lane swap signal
36-40	NC	-	No Connect

**Recommended LCD connector:** 0.5mm pitch 40-Conductor FFC.

**Backlight connector:** on LCD connector

T\_IM signal can be used to select between MIPI interface (normal mode) or serial interface (test mode).

T_IM	Interface mode
0	MIPI Interface
1	DPI/DBI type-C Option 1 (9-bit SPI)

The serial interface is used to communicate between the MPU and the LCD driver chip. It uses CSX (chip select), DCX (data/command select), SCL (serial clock), SDA (serial data input/output). Serial clock (SCL) can be stopped when no communication is necessary. CSX, DCX, SCL and SDA signals should be No Connect when test mode is disabled.

See FL7703NI datasheet using the link below for more details.

[https://support.newhavendisplay.com/hc/en-us/article\\_attachments/4688767550359](https://support.newhavendisplay.com/hc/en-us/article_attachments/4688767550359)



## Interface Selection

IM1	IM2	LANSEL	D0P/N	D1P/N	CP/N	D2P/N	D3/PN
0	0	0	D3P/N	D2P/N	CP/N	D1P/N	D0P/N
0	1	0	D3N/P	D2N/P	CN/P	D1N/P	D0N/P
1	0	0	D0P/N	D1P/N	CP/N	D2P/N	D3P/N
1	1	0	D0N/P	D1N/P	CN/P	D2N/P	D3N/P
0	0	1	D2P/N	D1P/N	CP/N	D0P/N	D3P/N
0	1	1	D2N/P	D1N/P	CN/P	D0N/P	D3N/P
1	0	1	D3P/N	D0P/N	CP/N	D1P/N	D2P/N
1	1	1	D3N/P	D0N/P	CN/P	D1N/P	D2N/P

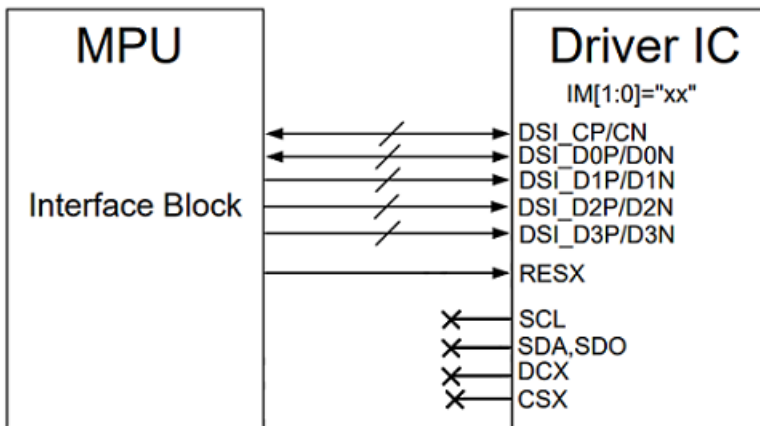
Command **SETMIPI (BAh)** is used to set MIPI related register.

BA H	SETMIPI									HEX
Command	R/W	D7	D6	D5	D4	D3	D2	D1	D0	BA
Parameter 1st	R/W	HOSTTY PE	CD_DLY	x	CRC_En able	VC_Main [1]	VC_Main [0]	Lane_Nu mber[1]	Lane_Nu mber[0]	33
Parameter 2nd	R/W	DSI_LDO SEL[2]	DSI_LDO SEL[1]	DSI_LDO SEL[0]	LPTX_D R[2]	LPTX_D R[1]	LPTX_D R[0]	RTERM[ 1]	RTERM[ 0]	61
Parameter 3rd	R/W	x	x	x	X	IHSRX[3]	IHSRX[2]	IHSRX[1]	IHSRX[0]	06
Parameter 4th	R/W	DSI_HFP OTP	Txs_Wait [2]	Txs_Wait [1]	Txs_Wait [0]	Tx_clk_s el[1]	Tx_clk_s el[0]	VBP_OS C_EN	VFP_OS C_EN	F9
Parameter 5th	R/W	HFP_OS C[7]	HFP_OS C[6]	HFP_OS C[5]	HFP_OS C[4]	HFP_OS C[3]	HFP_OS C[2]	HFP_OS C[1]	HFP_OS C[0]	FF
Parameter 6th	R/W	HBP_OS C[7]	HBP_OS C[6]	HBP_OS C[5]	HBP_OS C[4]	HBP_OS C[3]	HBP_OS C[2]	HBP_OS C[1]	HBP_OS C[0]	0A

**Lane [1:0]:** Specify the lane number selection.

Lane [1:0]	MIPI Lane
0	1 lane
1	2 lanes
2	3 lanes
3	4 lanes

## Wiring Diagram



Notes:

1. Connect DSI\_D3P/N to VSS in 3 data lanes application.
2. Connect DSI\_D3P/N and DSI\_D2P/N to VSS in 2 data lanes application.

## Electrical Characteristics

TFT:

Item	Symbol	Condition	Min.	Typ.	Max.	Unit
Operating Temperature Range	T <sub>OP</sub>	Absolute Max	-20	-	+70	°C
Storage Temperature Range	T <sub>ST</sub>	Absolute Max	-30	-	+80	°C
Supply Voltage	V <sub>DD</sub>	-	2.5	3.0	3.3	V
Supply Current	I <sub>DD</sub>	V <sub>DD</sub> = 3V	38	50	75	mA
"H" Level input	V <sub>IH</sub>	-	0.7 * V <sub>DD</sub>	-	V <sub>DD</sub>	V
"L" Level input	V <sub>IL</sub>	-	GND	-	0.3 * V <sub>DD</sub>	V
"H" Level output	V <sub>OH</sub>	-	0.8 * V <sub>DD</sub>	-	V <sub>DD</sub>	V
"L" Level output	V <sub>OL</sub>	-	GND	-	0.2 * V <sub>DD</sub>	V
Backlight Supply Current	I <sub>LED</sub>	-	30	40	50	mA
Backlight Supply Voltage	V <sub>LED</sub>	I <sub>LED</sub> = 40mA T <sub>OP</sub> = 25°C	16.8	19.2	20.4	V
Backlight Lifetime*	-		-	30,000	-	Hrs.

\*Backlight lifetime is rated as Hours until **half-brightness**, under normal operating conditions. The LED of the backlight is driven by current drain; drive voltage is for reference only. Drive voltage must be selected to ensure backlight current drain is below MAX level stated.

## Optical Characteristics:

Item	Symbol	Condition	Min.	Typ.	Max.	Unit	
Optimal Viewing Angles	Top	CR ≥ 10	-	85	-	°	
	Bottom		-	85	-	°	
	Left		-	85	-	°	
	Right		-	85	-	°	
Contrast Ratio	CR	-	600	800	-	-	
Luminance	L <sub>V</sub>	I <sub>LED</sub> = 40 mA	760	950	1425	cd/m <sup>2</sup>	
Response Time (Rise + Fall)	T <sub>R</sub> + T <sub>F</sub>	T <sub>OP</sub> = 25°C	-	25	50	ms	
Chromaticity	Red	X <sub>R</sub>	-	.508	.558	.608	-
		Y <sub>R</sub>	-	.273	.323	.373	-
	Green	X <sub>G</sub>	-	.245	.295	.345	-
		Y <sub>G</sub>	-	.547	.597	.647	-
	Blue	X <sub>B</sub>	-	.100	.150	.200	-
		Y <sub>B</sub>	-	.027	.077	.127	-
	White	X <sub>W</sub>	-	.228	.278	.328	-
		Y <sub>W</sub>	-	.284	.334	.360	-

## Driver/Controller Information

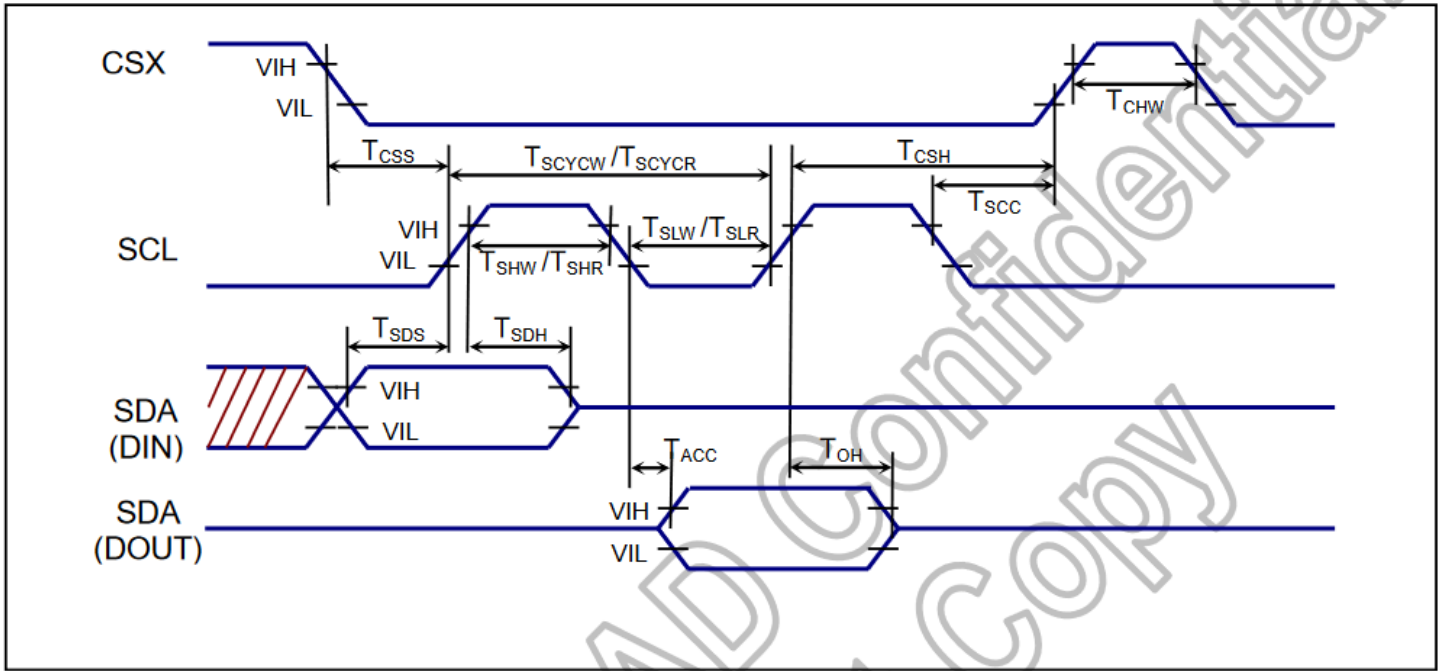
TFT:

Built-in FL7703NI Driver: <https://support.newhavendisplay.com/hc/en-us/articles/4688762082071-FL7703NI>



# Timing Characteristics

## Serial Interface

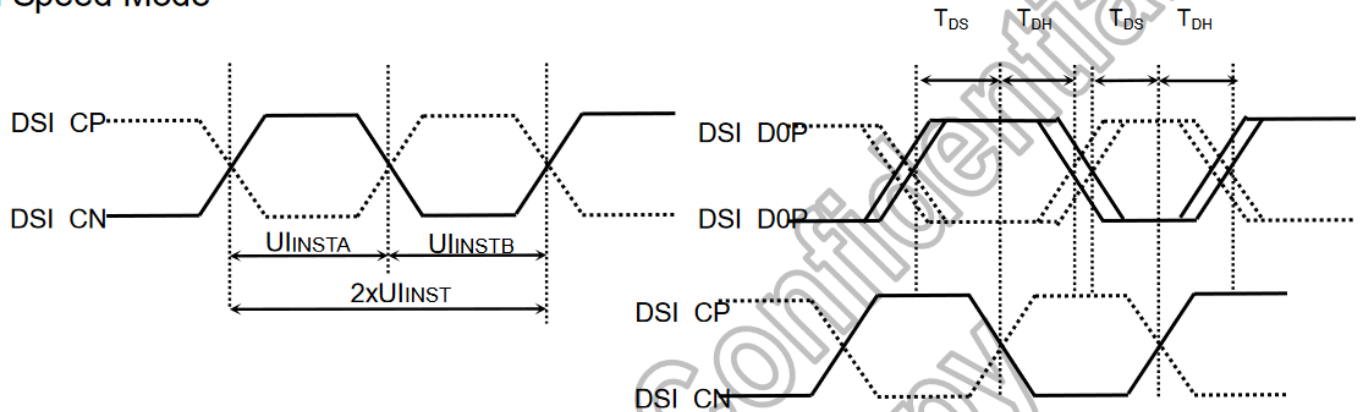


Signal	Symbol	Parameter	Min.	Max.	Unit	Description
CSX	$t_{CSS}$	Chip select setup time (Write)	15	-	ns	-
	$t_{CSS}$	Chip select setup time (Read)	60	-		
	$t_{CSH}$	Chip select hold time (Write)	15	-		
	$t_{CSH}$	Chip select hold time (Read)	65	-		
DCX	$t_{AST}$	Address setup time	0	-	ns	-
	$t_{AHT}$	Address hold time (Write/Read)	10	-		
SCL (Write)	$t_{WC}$	Write cycle	66	-	ns	-
	$t_{WRH}$	Control pulse "H" duration	15	-		
	$t_{WRL}$	Control pulse "L" duration	15	-		
SCL (Read)	$t_{RC}$	Read cycle	150	-	ns	-
	$t_{RDH}$	Control pulse "H" duration	60	-		
	$t_{RDL}$	Control pulse "L" duration	60	-		
SDA (Input)	$t_{DS}$	Data setup time	10	-	ns	For maximum $C_L=30pF$ For minimum $C_L=8pF$
	$t_{DH}$	Data hold time	10	-		
SDA (Output)	$t_{ACC}$	Read access time	-	100	ns	
	$t_{OH}$	Output disable time	10	-		

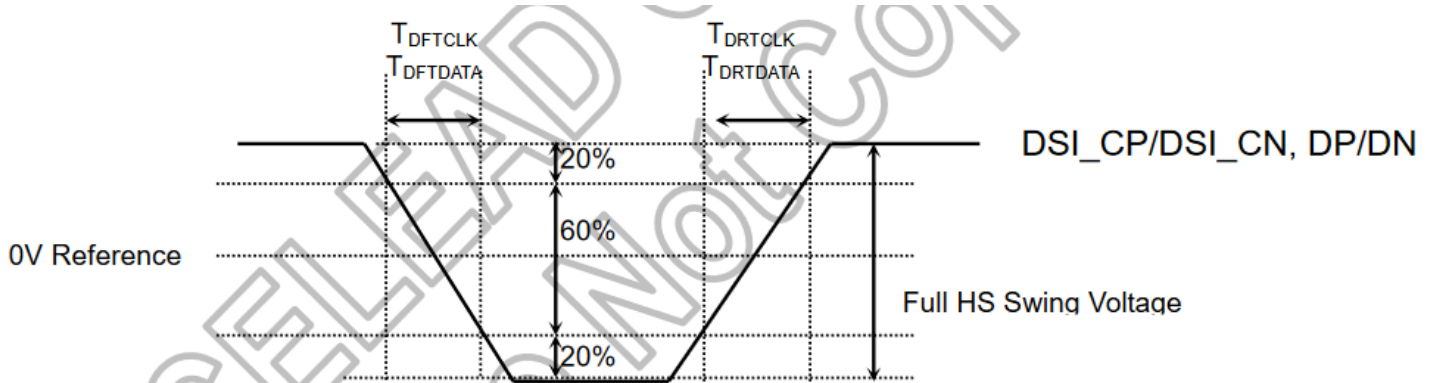


## DSI Interface

### High Speed Mode



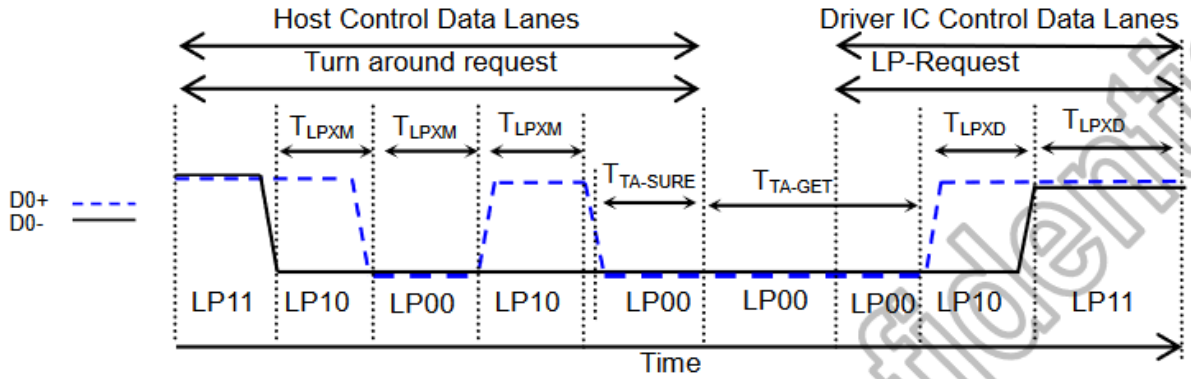
**Figure 7-4: DSI clock timing Characteristics**



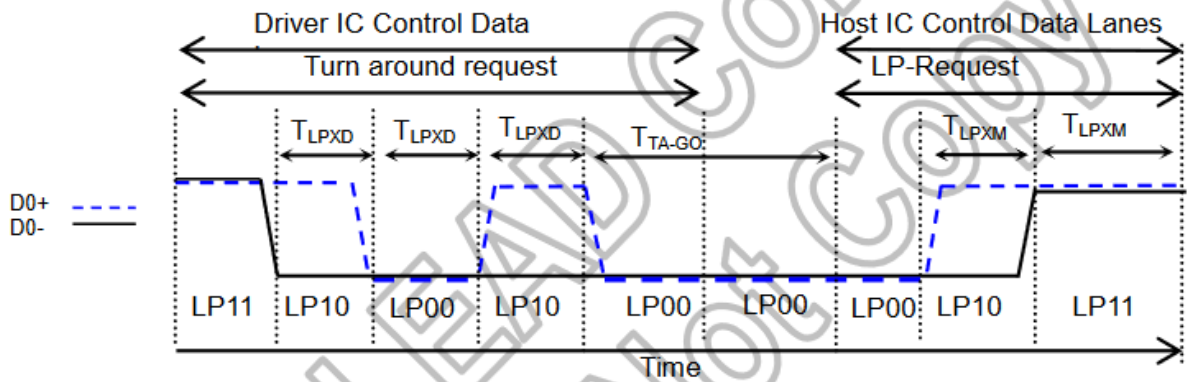
**Figure 7-5: Rising and falling time on clock and data channel**

Signal	Item	Symbol	Spec.			Unit
			Min.	Typ.	Max.	
DSI_CP/ DSI_CN	Double UI instantaneous	$2xU_{INST}$	4LANE: 3.30 3LANE: 2.85 @ VDDD=1.8V	-	25	ns
	UI instantaneous	$U_{INSTA}$ $U_{INSTB}$	4LANE: 1.67 3LANE: 1.43 @ VDDD=1.8V	-	12.5	ns
DP/DN	Data to clock setup time	$T_{DS}$	$0.15xUI$	-	-	ps
	Data to clock hold time	$T_{DH}$	$0.15xUI$	-	-	ps
DSI_CP/ DSI_CN	Differential rise time for clock	$T_{DRTCLK}$	150	-	$0.3UI$	ps
	Differential fall time for clock	$T_{DFTCLK}$	150	-	$0.3UI$	ps
DP/DN	Differential rise time for data	$T_{DRTDATA}$	150	-	$0.3UI$	ps
	Differential fall time for data	$T_{DFTDATA}$	150	-	$0.3UI$	ps

## Low Power Mode



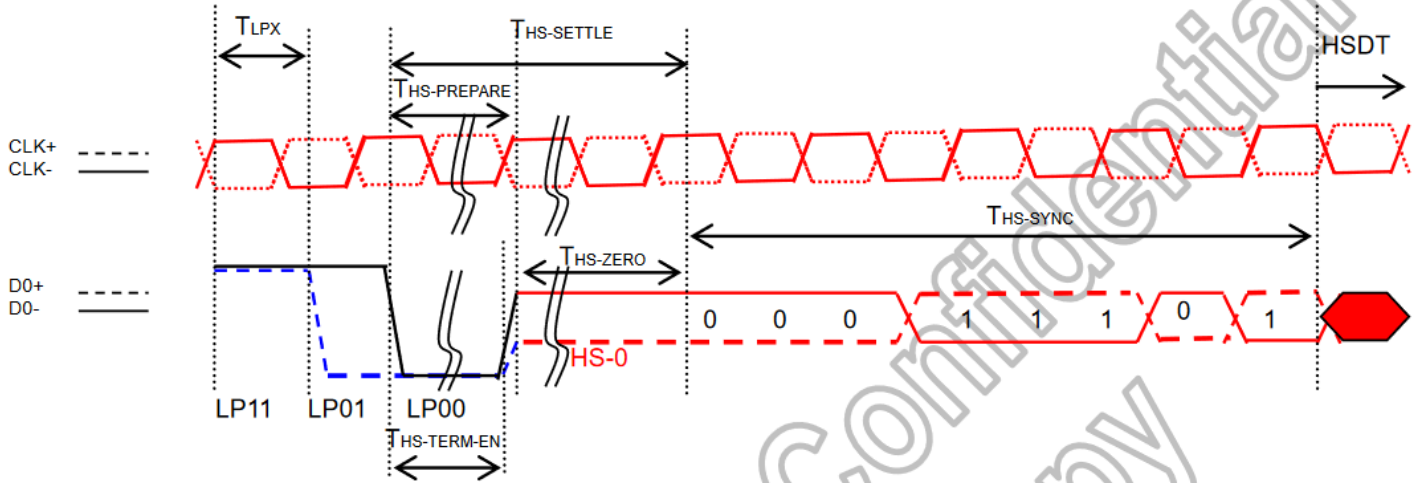
**Figure 7-6: BTA from HOST to Display Module Timing**



**Figure 7-7: BTA from Display Module Timing to HOST**

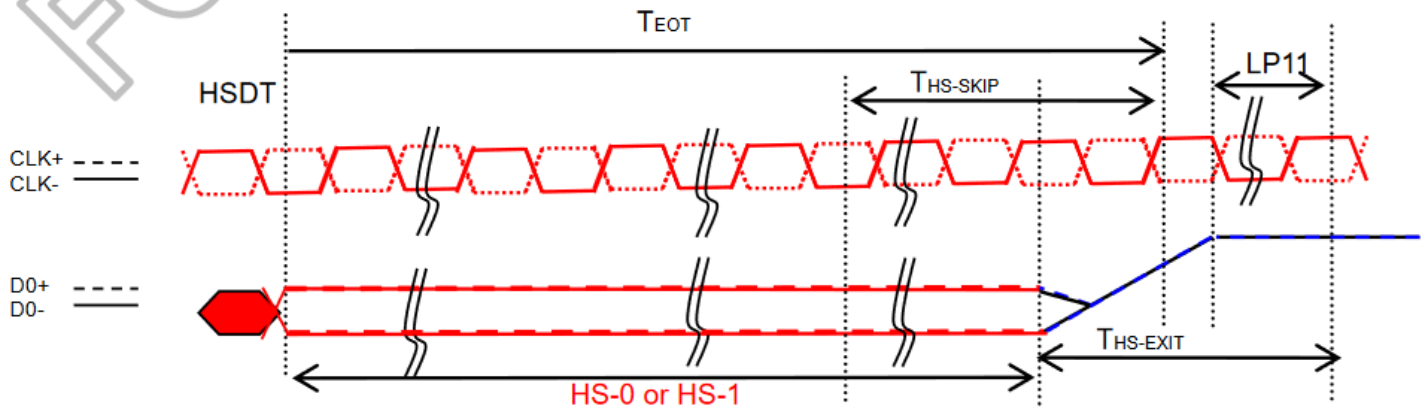
Signal	Item	Symbol	Spec.			Unit
			Min.	Typ.	Max.	
DSI_D0P/ DSI_D0P	Length of LP-00/LP01/LP10/LP11 Host → Display module	$T_{LPXM}$	50	-	-	ns
	Length of LP-00/LP01/LP10/LP11 Display module → Host	$T_{LPXD}$	50	-	-	ns
	Time-out before the MPU start driver	$T_{TA-SURE}$	$T_{LPXD}$	-	$2 \times T_{LPXD}$	ns
	Time to drive LP-00 by display module	$T_{TA-GET}$	$5 \times T_{LPXD}$	-	-	ns
	Time to drive LP-00 after turnaround request Host	$T_{TAGO}$	$4 \times T_{LPXD}$	-	-	ns

## DSI BURSTS



Signal	Item	Symbol	Spec.			Unit
			Min.	Typ.	Max.	
DSI_D0P/ DSI_D0P	Length of LP-00/LP01/LP10/LP11	T <sub>LPX</sub>	50	-	-	ns
	Time to Driver LP-00 to prepare for HS transmission	T <sub>HS-PREPARE</sub>	40+4UI	-	85+6UI	ns
	Time to enable data receiver line termination	T <sub>HS-TERM-EN</sub>	-	-	35+4xUI	ns
	Time to drive LP-00 by display module	T <sub>TA-GET</sub>	5xT <sub>LPXD</sub>	-	-	ns
	Time to drive LP-00 after turnaround request Host	T <sub>TAGO</sub>	4xT <sub>LPXD</sub>	-	-	ns

**Table 7-5: DSI Low Power Mode to High Speed Mode Timing**

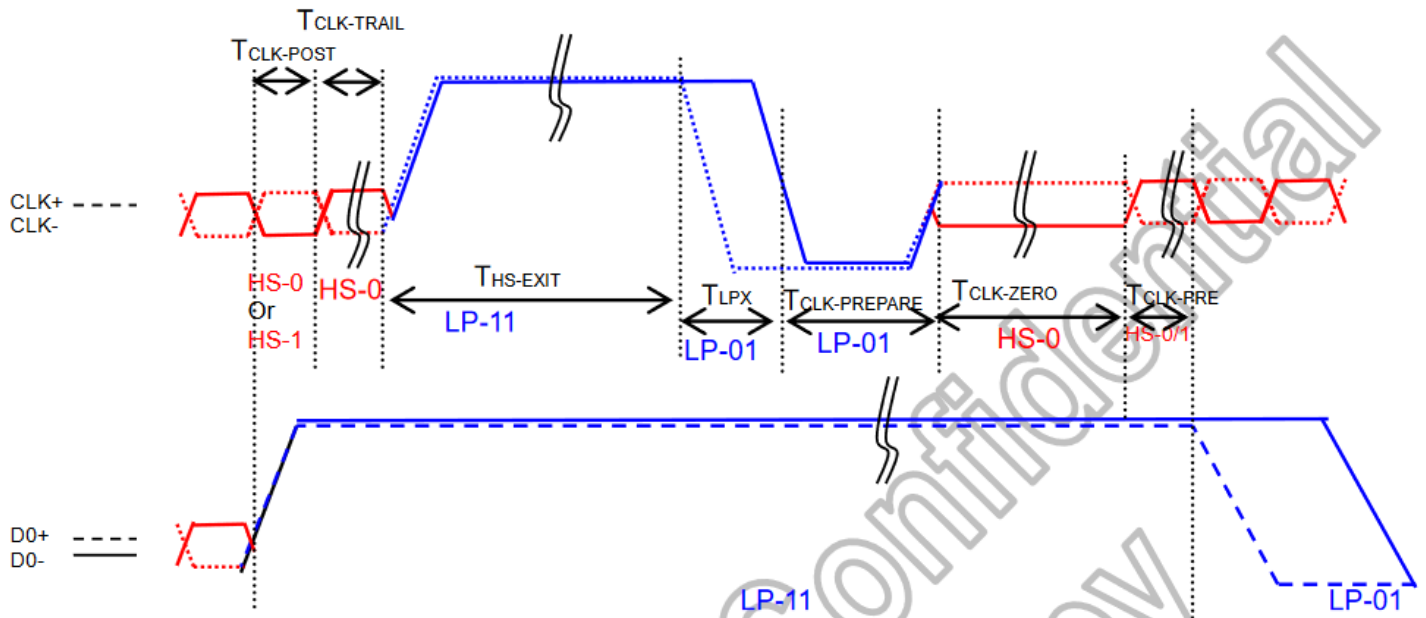


**NOTE:**

If the last bit is HS-0, the transmitter changes from HS-0 to HS-1  
 If the last bit is HS-1, the transmitter changes from HS-1 to HS-0

Signal	Item	Symbol	Spec.			Unit
			Min.	Typ.	Max.	
DSI_D0P/ DSI_D0P	Time-Out at Display Module to Ignore Transition Period of EoT	T <sub>HS-SKIP</sub>	40	-	55+4xUI	ns
	Time to Driver LP-11 after HS Burst	T <sub>HS-EXIT</sub>	100	-	-	ns

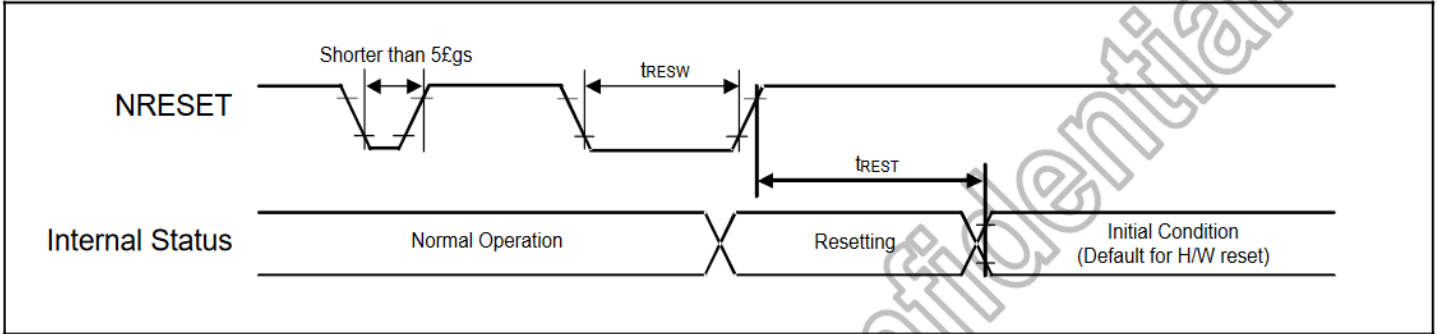
**Table 7-6: DSI Low Power Mode to High Speed Mode Timing**



Signal	Item	Symbol	Spec.			Unit
			Min.	Typ.	Max.	
DSI_CP/ DSI_CN	Time that the MCU shall continue sending HS clock after the last associated Data Lane has transitioned to LP mode	$T_{CLK-POST}$	$60+52xUI$	-	-	ns
	Time to drive HS differential state after last payload clock bit of a HS transmission burst	$T_{CLK-TRAIL}$	60	-	-	ns
	Time to drive LP-11 after HS burst	$T_{HS-EXIT}$	100	-	-	ns
	Time to drive LP-00 to prepare for HS transmission	$T_{CLK-PREPARE}$	38	-	95	ns
	Time-out at Clock Lane Display Module to enable HS Termination	$T_{CLK-TERM-EN}$	-	-	38	ns
	Minimum lead HS-0 drive period before starting Clock	$T_{CLK-PREPARE} + T_{CLK-ZERO}$	300	-	-	ns
	Time that the HS clock shall be driven prior to any associated data Lane beginning the transition from LP to HS mode	$T_{CLK-PRE}$	$8xUI$			

**Table 7-7: Clock Lanes High Speed Mode to/from Low Power Mode Timing**

## Reset Input Timing



Symbol	Parameter	Related Pins	Spec.			Note	Unit
			Min.	Typ.	Max.		
tRESW	Reset low pulse width <sup>(1)</sup>	NRESET	10	-	-	-	µs
tREST	Reset complete time <sup>(2)</sup>	-	15	-	-	When reset applied during SLPIN mode	ms
		-	120	-	-	When reset applied during SLPOUT mode	ms

## Quality Information

Test Item	Content of Test	Test Condition	Note
High Temperature storage	Endurance test applying the high storage temperature for a long time.	+80°C , 96hrs	2
Low Temperature storage	Endurance test applying the low storage temperature for a long time.	-30°C , 96hrs	1,2
High Temperature Operation	Endurance test applying the electric stress (voltage & current) and the high thermal stress for a long time.	+70°C , 96hrs	2
Low Temperature Operation	Endurance test applying the electric stress (voltage & current) and the low thermal stress for a long time.	-20°C , 96hrs	1,2
High Temperature / Humidity Storage	Endurance test applying the electric stress (voltage & current) and the high thermal with high humidity stress for a long time.	+50°C , 90% RH , 96hrs	1,2
Thermal Shock resistance	Endurance test applying the electric stress (voltage & current) during a cycle of low and high thermal stress.	-20°C,60min -> 70°C,60min = 1 cycle 20 cycles	
Vibration test	Endurance test applying vibration to simulate transportation and use.	10-50Hz , 5G Acceleration 60 sec in each of 3 directions (X,Y,Z) For 30 minutes	3
Static electricity test	Endurance test applying electric static discharge.	Air: ±4kV 150pF/330Ω, 5 Times Contact: ±2kV 150pF/330Ω, 5 Times	

**Note 1:** No condensation to be observed.

**Note 2:** Conducted after 4 hours of storage at 25°C, 0%RH.

**Note 3:** Test performed on product itself, not inside a container.