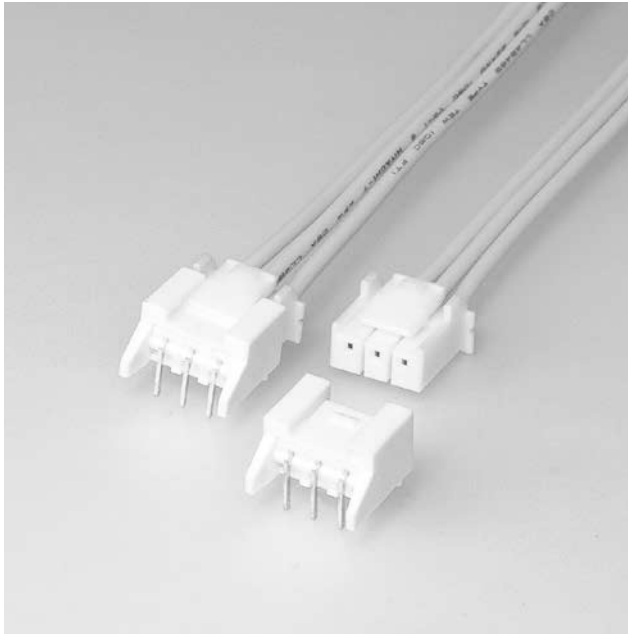
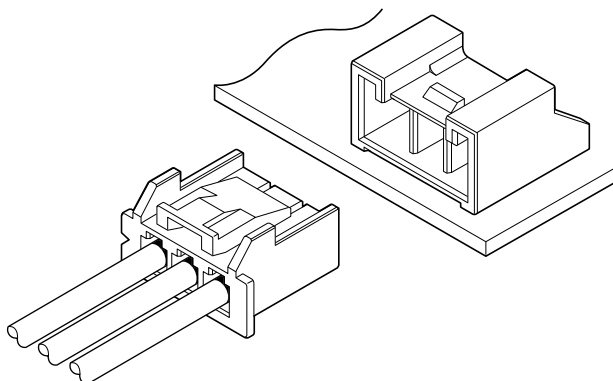


VU CONNECTOR

Disconnectable Crimp style connectors



VU connector is small type 3.96 mm pitch PC board connector for large current and has the high reliability in a power supply circuit, considering the fully shrouded connector header structure against "vibrating connector" and "distorted extraction".



Features

• Secure locking device

The housing has a locking device to securely hold the header, preventing accidental disconnection, because of external force that might result from the routing of wires or of vibration, inverse insertion and mating with incorrect circuit.

• Shrouded header

Shrouded header provides the longer creepage distance and countermeasure for distorted extraction of connector.

• Flanged press pin

Header pin is the flanged press pin, preventing accidental removal of the pins due to distorted extraction of connector.

Specifications

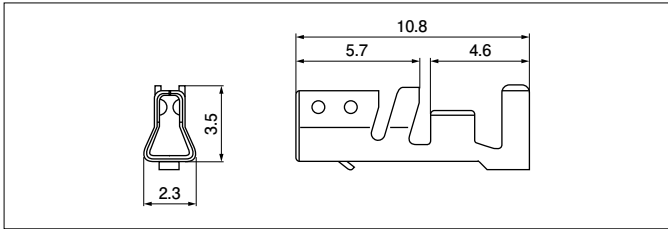
- Current rating: 5 A AC/DC (AWG #18)
- Voltage rating: 250 V AC/DC
- Temperature range: -25°C to +85°C
(including temperature rise in applying electrical current)
- Contact resistance: Initial value/ 10 mΩ max.
After environmental tests/ 20 mΩ max.
- Insulation resistance: 1,000 MΩ min.
- Withstanding voltage: 1,500 VAC/minute
- Applicable wire: AWG #22 to #18
- Applicable PC board thickness: 1.6 mm
- * In using the products, refer to "Handling Precautions for Terminals and Connectors" described on our website (Technical documents of Product information page).
- * RoHS2 compliance
- * Dimensional unit: mm
- * Contact JST for details.

Standards

Recognized E60389

VU CONNECTOR

Contact



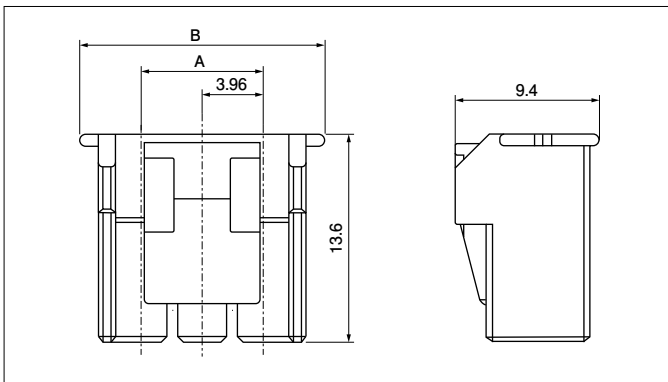
Model No.	Applicable wire		Insulation O.D. (mm)	Q'ty/reel
	mm ²	AWG #		
SVU-21T-P0.6	0.33 to 0.83	22 to 18	1.7 to 3.0	4,000

Material and Finish

Phosphor bronze, tin-plated (reflow treatment)

RoHS2 compliance

Housing



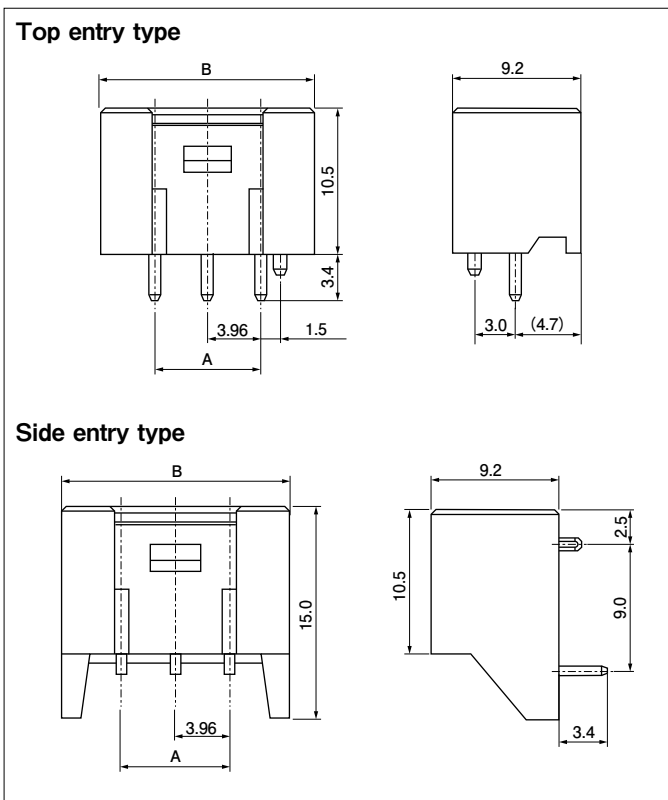
No. of circuits	Model No.	Dimensions (mm)		Q'ty/bag
		A	B	
3	VURP-03V-S	7.92	15.84	500

Material and Finish

PA 66, UL94V-0, natural (white)

RoHS2 compliance

Shrouded header



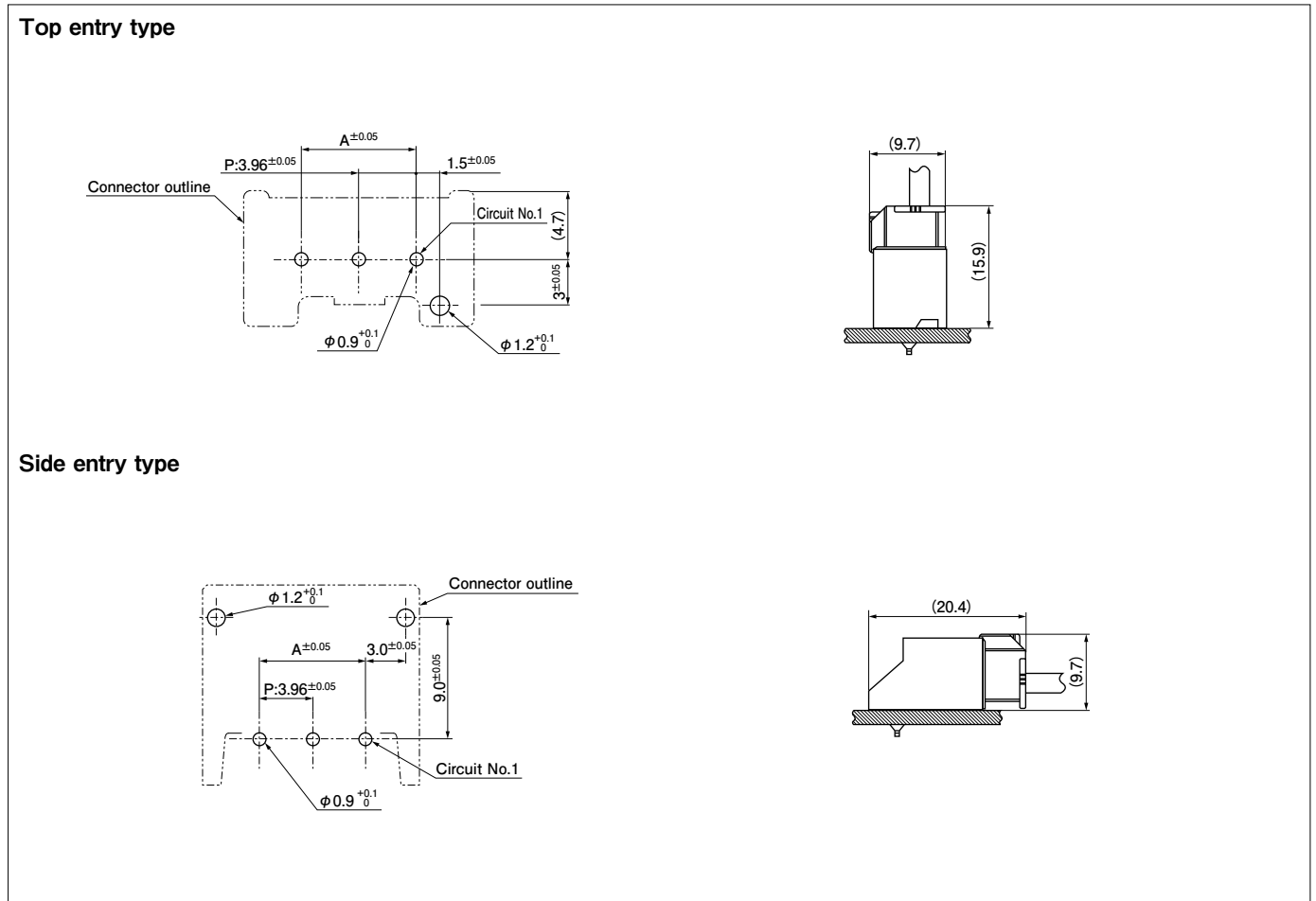
No. of circuits	Model No.		Dimensions (mm)		Q'ty/box	
	Top entry type	Side entry type	A	B	Top entry type	Side entry type
3	B03B-VUSS-1	S03B-VUSS-1	7.92	15.84	200	200

Material and Finish

Pin: Copper alloy, copper-undercoated, tin-plated (reflow treatment)
Wafer: Glass-filled PBT, UL94V-0, natural (white)

RoHS2 compliance This product displays (LF)(SN) on a label.

PC board layout and Assembly layout



- Note: 1. The above figure is the figure viewed from the connector mounting side.
 2. Tolerances are non-cumulative: ± 0.05 mm for all centers.
 3. Hole dimensions differ according to the type of PC board and piercing method.
 The dimensions above should serve as a guideline. Contact JST for details.

Crimping machine, Applicator

Contact	Crimping machine	Crimp applicator	Dies	Crimp applicator with dies
SVU-21T-P0.6	AP-K2N	MKS-L	MK/SVU-21-06	APLMK SVU21-06

Note: Contact JST for fully automatic crimping applicator.