

DC Fan Motors

San Ace 80mm



“San Ace 80” G Type (High wind capacity type)



General specifications

- Life expectancy40,000hours
(Survival rate 90% at 60°C, rated voltage and continuously run in a free air state)
- Motor protection systemCurrent cut system (with reverse connection protection)
- Dielectric strength50/60Hz, 500VAC, 1 minute (Between Lead conductor and frame)
- Operating thermally range-10°C to +70°C (Non-condensing)
- Fan lead wiresUL1007 AWG#24 ⊕Red ⊖Black

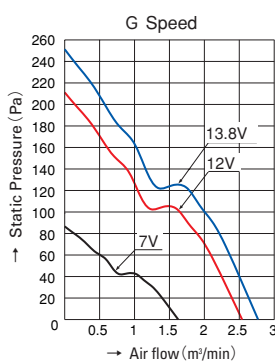
38mm thick

Specifications

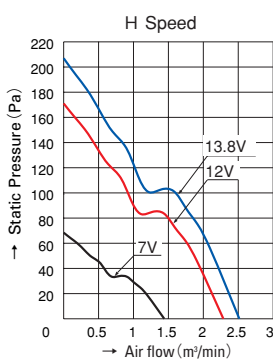
Model No	Rated voltage (V)	Operating voltage range (V)	Rated current (A)	Rated input (W)	Rated rotating speed (min ⁻¹)	Air flow (m ³ /min)	(CFM)	Static pressure (Pa)	Noise (dB[A])	Mass (g)
9G0812G102(1021)	12	7~13.8	1.1	13.2	6,300	2.55	90	211	51	170
9G0812H102(1021)			0.9	10.8	5,700	2.28	80	171	49	
9G0824G102(1021)	24	20.4~27.6	0.56	13.4	6,300	2.55	90	211	51	
9G0824H102(1021)			0.42	10.1	5,700	2.28	80	171	49	
9G0848G102(1021)	48	40.8~55.2	0.27	13.0	6,300	2.55	90	211	51	
9G0848H102(1021)			0.20	9.6	5,700	2.28	80	171	49	

The numbers in () represent ribless models.

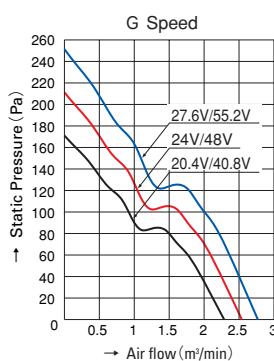
Typical air flow and static pressure characteristics



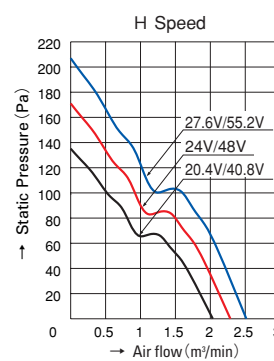
9G0812G102



9G0812H102



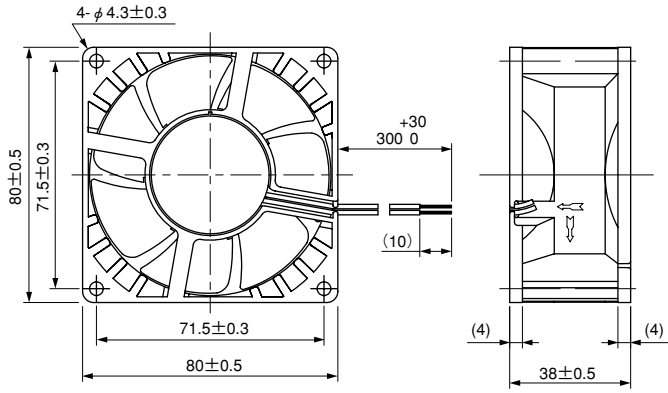
9G0824G102
9G0848G102



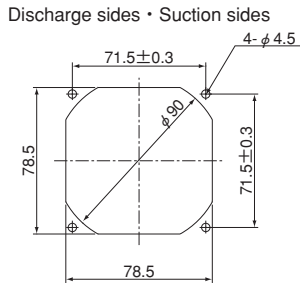
9G0824H102
9G0848H102

80mm

Dimensions (unit : mm)



Reference dimensional diagram for installation holes (unit : mm)



80mm

Notice

- The products shown in the catalog are subject to Japanese Export Control Law. Diversion contrary to the law of exporting country is prohibited.
- To protect against electrolytic cooling corrosion that may occur in locations of strong electromagnetic noise, we provide fans that are unaffected by electrolytic corrosion. Alternative measures to protect against electrolytic corrosion may include metallic finger guards or other metallic attachments. Please contact us for details.

SANYO DENKI