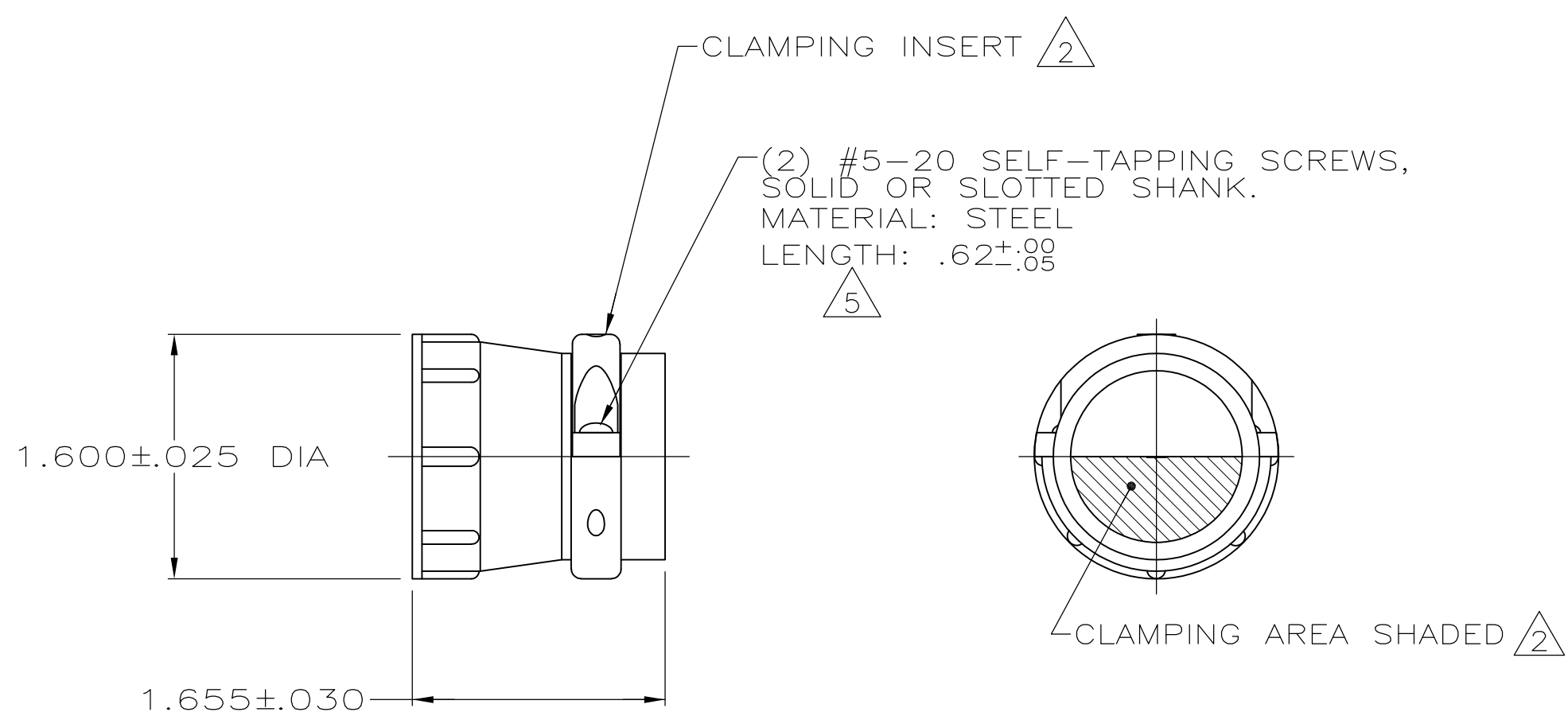


THIS DRAWING IS UNPUBLISHED. RELEASED FOR PUBLICATION
 © COPYRIGHT - By - ALL RIGHTS RESERVED.

LOC	DIST	REVISIONS			
P	LTR	DESCRIPTION	DATE	DWN	APVD
BD	0	G3	REVISED PER ECO-11-004587	11MAR11	RK HMR



- 1 PARTS PACKAGED UNASSEMBLED.
- $\triangle 2$ CABLE CLAMPING AREA ADJUSTABLE FROM .261 TO .517 SQ IN BY CHANGING CLAMPING INSERT.
- 3 1.125 MAXIMUM CABLE OUTSIDE DIAMETER.
- $\triangle 4$ BULK PACKAGED KITS TO BE ORDERED IN MULTIPLES OF 75 ONLY.
- $\triangle 5$ FINISH: ZINC NON-HEXAVALENT CHROMATE.
- $\triangle 6$ OBSOLETE PARTS: OBSOLETE CIS STREAMLINING PER D.RENAUD/D.SINISI

SCREW FINISH	PACKAGING	PART NUMBER
$\triangle 5$	$\triangle 4$ BULK	206512-6
$\triangle 5$	INDIVIDUAL	206512-5
$\triangle 5$	SMALL PACK	206512-4
$\triangle 5$	SMALL PACK	206512-3
$\triangle 5$	$\triangle 4$ BULK	206512-2
$\triangle 5$	INDIVIDUAL	206512-1

~~OBSOLETE~~ $\triangle 6$ ~~OBSOLETE~~

SUPERSEDED BY 206512-6

SUPERSEDED BY 206512-5

THIS DRAWING IS A CONTROLLED DOCUMENT.		DWN A GRAFF 4/29/91	STE TE Connectivity	
		CHK W.G.LENKER 7-23-92		
DIMENSIONS: INCHES		PRODUCT SPEC 108-10024		NAME CABLE CLAMP KIT, LARGE, SHELL SIZE 23, CPC
TOLERANCES UNLESS OTHERWISE SPECIFIED:		APPLICATION SPEC		
MATERIAL THERMOPLASTIC		WEIGHT -	SIZE A3	CAGE CODE 00779
FINISH -		DRAWING NO C-206512		RESTRICTED TO -
CUSTOMER DRAWING			SCALE 1:1	SHEET 1 OF 1
			REV G3	

Mouser Electronics

Authorized Distributor

Click to View Pricing, Inventory, Delivery & Lifecycle Information:

[TE Connectivity:](#)

[206512-6](#)