

THE INFORMATION CONTAINED HEREIN IS CONSIDERED "PROPRIETARY" TO BEL FUSE INC. AND SHALL NOT BE COPIED, REPRODUCED OR DISCLOSED WITHOUT THE WRITTEN APPROVAL OF BEL FUSE INC.

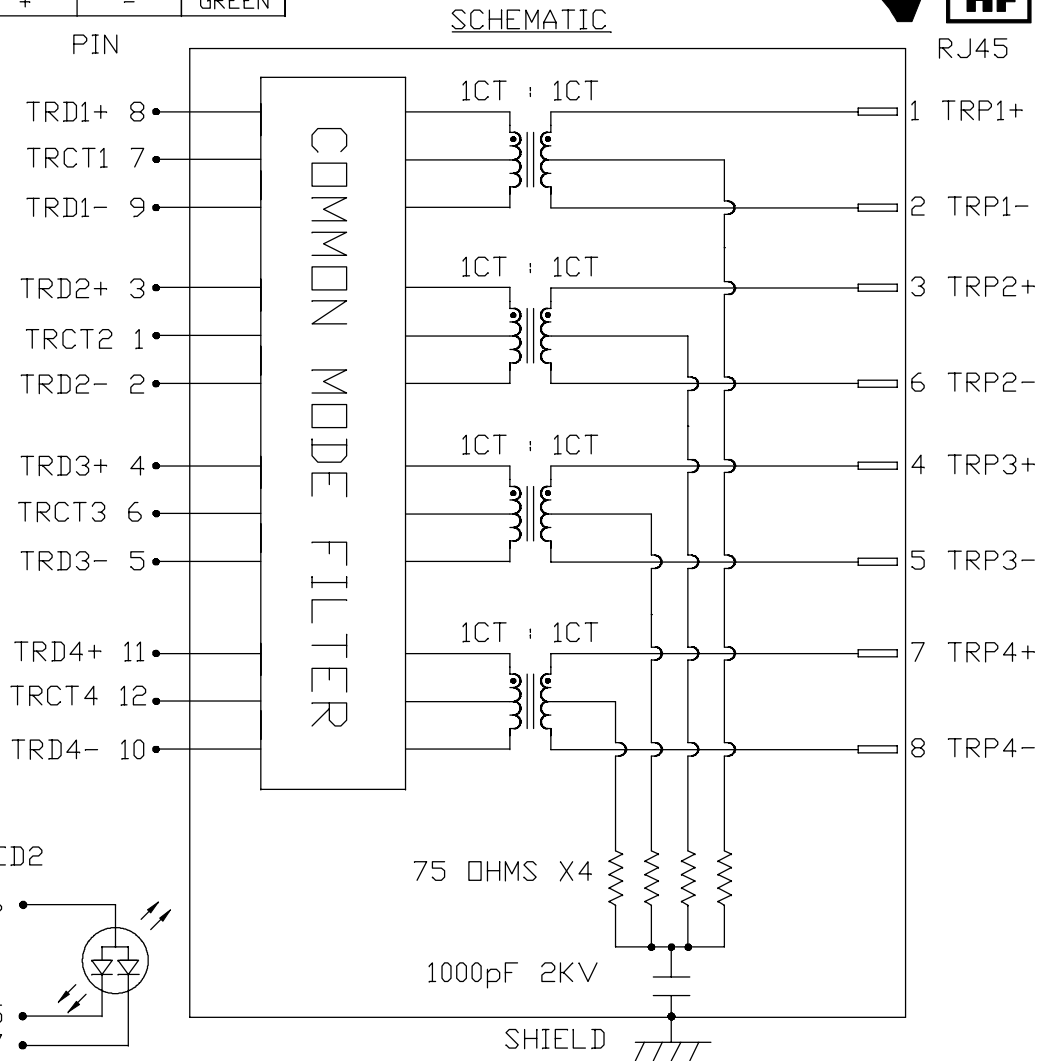
LED1 POLARITY			LED2 POLARITY			
PIN 13	PIN 14	COLOR	PIN 15	PIN 16	PIN 17	COLOR
-	+	GREEN	-	+	/	YELLOW
/	/	/	/	+	-	GREEN



ELECTRICAL CHARACTERISTICS @ 25°C

<p>URNS RATIO</p> <p>TP1 1CT : 1CT</p> <p>TP2 1CT : 1CT</p> <p>TP3 1CT : 1CT</p> <p>TP4 1CT : 1CT</p> <p>INS. LOSS (MAX)</p> <p>1MHz TO 20MHz -0.8 dB</p> <p>50MHz -1.0 dB</p> <p>200MHz -1.2 dB</p> <p>400MHz -2.0 dB</p> <p>500MHz -3.0 dB</p> <p>RET. LOSS (MIN)</p> <p>1MHz - 40MHz -16 dB</p> <p>40MHz - 400 MHz -16+10LOG (F/40) dB</p> <p>400MHz - 500 MHz -6+30LOG (F/400) dB</p> <p>CM TO CM REJ</p> <p>1MHz - 500MHz -30 dB MIN</p> <p>CM TO DM REJ</p> <p>1MHz - 500MHz -30 dB MIN</p> <p>HIPOT (Isolation Voltage): 2250VDC</p> <p>100% OF PRODUCTION TESTED TO COMPLY WITH IEEE 802.3 ISOLATION REQUIREMENTS.</p> <p>OPERATING TEMPERATURE: 0°C TO +70°C.</p>	<p>LED1</p> <p>LED2</p>
--	-------------------------

LED 1	VF (FORWARD VOLTAGE)	IF=20mA	GREEN	2.2V TYP.
	λD (DOMINANT WAVELENGTH)	IF=20mA	GREEN	570nm TYP.
LED 2	VF (FORWARD VOLTAGE)	IF=20mA	GREEN	2.2V TYP.
			YELLOW	2.1V TYP.
	λD (DOMINANT WAVELENGTH)	IF=20mA	GREEN	570nm TYP.
			YELLOW	590nm TYP.



ORIGINATED BY	CHOW WANCHUNG
DATE	2017-03-17
DRAWN BY	LINFENG LI
DATE	2017-03-17

TITLE	10 Gigabit MagJack® (Ultra Low Profile)
	G10-1GHT-012E PATENTED

PART NO. / DRAWING NO.	G10-1GHT012E
FILE NAME	G10-1GHT012E_B.DWG

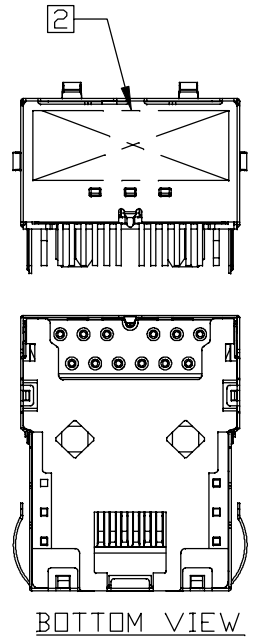
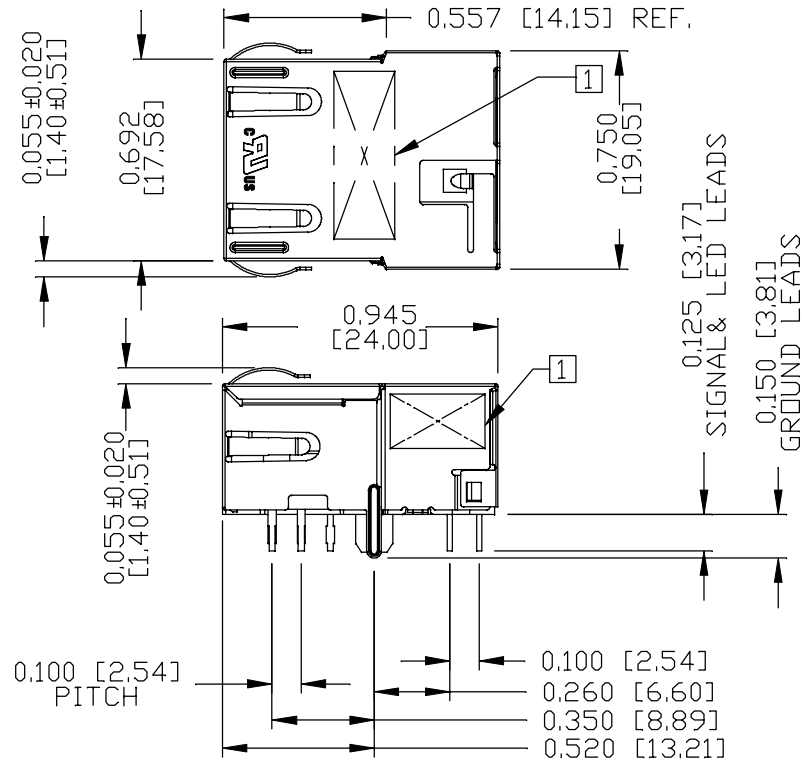
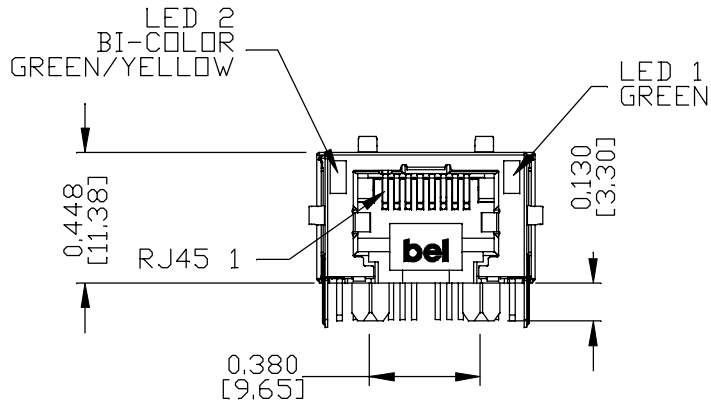
STANDARD DIM. TOL. IN INCH	[] METRIC DIM. AS REF.
.X	UNIT : INCH [mm]
.XX	SCALE : N/A
.XXX	SIZE : A4

REV. : B PAGE : 2

a bel group

THE INFORMATION CONTAINED HEREIN IS CONSIDERED "PROPRIETARY" TO BEL FUSE INC. AND SHALL NOT BE COPIED, REPRODUCED OR DISCLOSED WITHOUT THE WRITTEN APPROVAL OF BEL FUSE INC.

MECHANICAL SPECIFICATION



NOTES:

- PLASTIC HOUSING: THERMOPLASTIC PA, BLACK. FLAMMABILITY RATING UL 94V-0
- CONTACTS: 50 MICRO-INCH HARD GOLD PLATING OR EQUIVALENT.
- OUTPUT PINS: TIN-COATED COPPER WIRE, DIA 0.018 INCH. 100 MICRO-INCH MIN MATTE TIN. PINS ARE SOLDER DIPPED.
- METAL SHIELD: NICKEL PLATED ON COPPER ALLOY. (ALL GROUND LEADS ARE SOLDER DIPPED)

- 1. MARK PART WITH PART NUMBER (G10-1GHT-012E), DATE CODE AND PATENTED.
- 2. MARK PART WITH MFG. LOGO, MFG. NAME ON BACK VIEW.
- 3. THE PRODUCT IS RoHS COMPLIANT AND HALOGEN FREE. JACK CAVITY CONFORMS TO FCC RULES AND REGULATIONS.

- UL RECOGNIZED - FILE #E169987.
- 4. THE PART IS RECOMMENDED FOR WAVE SOLDERING, THE SUGGESTED PEAK WAVE SOLDERING CONDITION IS 260°C MAX AND 10 SECONDS MAX.
- 5. THE PRODUCT IS PATENT PRODUCT, THE PATENT NUMBER ARE U.S. PAT. 7,429,195 & U.S. PAT. 7,123,117 & U.S. PAT. 6,840,817 AND U.S. PAT. 7,924,130.
- 6. THE AXIAL RETENTION FORCE OF RJ PORT IS 15LBS MIN.

REV. : B PAGE : 3

ORIGINATED BY LI QUANKUN DATE 2017-03-17	TITLE 10 Gigabit MagJack® (Ultra Low Profile) G10-1GHT-012E PATENTED	PART NO. / DRAWING NO. G10-1GHT012E		STANDARD DIM. TOL. IN INCH	[] METRIC DIM. AS REF.
		FILE NAME G10-1GHT012E_B.DWG		.X	UNIT : INCH [mm]
DRAWN BY ZHANG XUEZHENG DATE 2017-03-17				.XX	SCALE : N/A
				.XXX	±0.010
					SIZE : A4

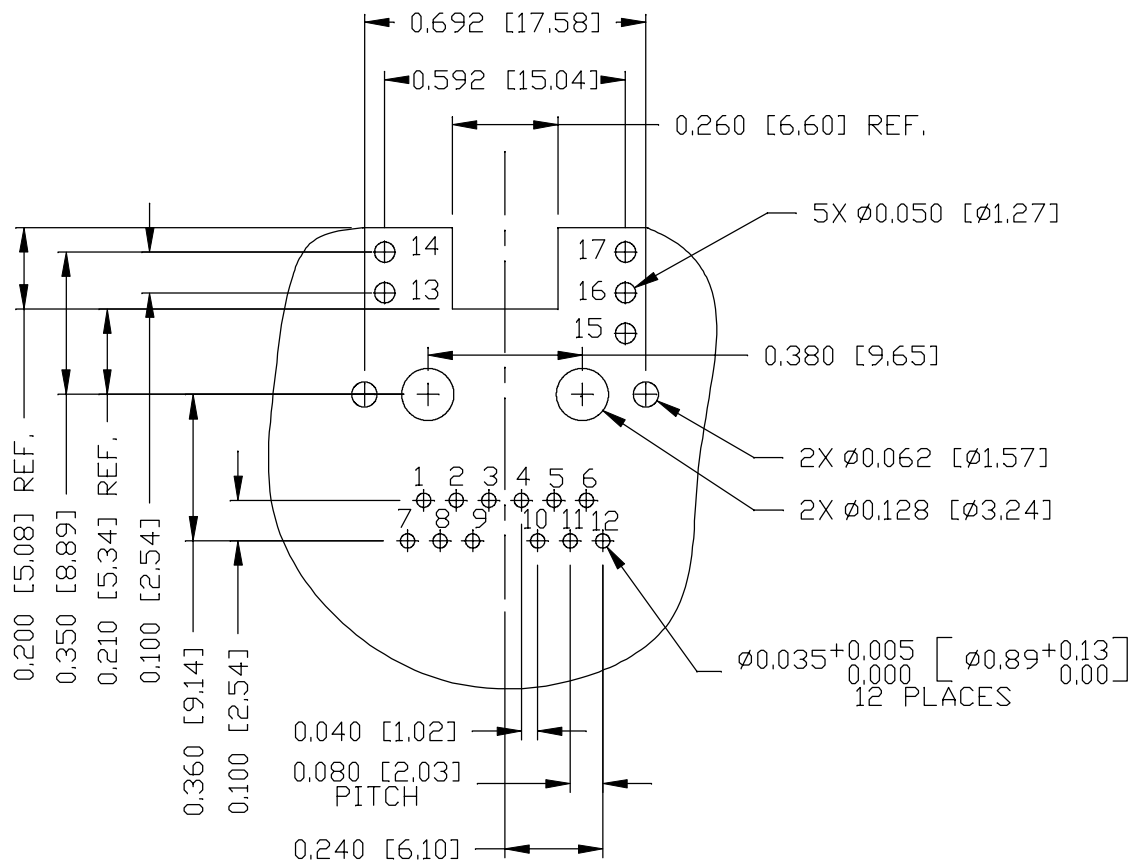


THE INFORMATION CONTAINED HEREIN IS CONSIDERED "PROPRIETARY" TO BEL FUSE INC. AND SHALL NOT BE COPIED, REPRODUCED OR DISCLOSED WITHOUT THE WRITTEN APPROVAL OF BEL FUSE INC.



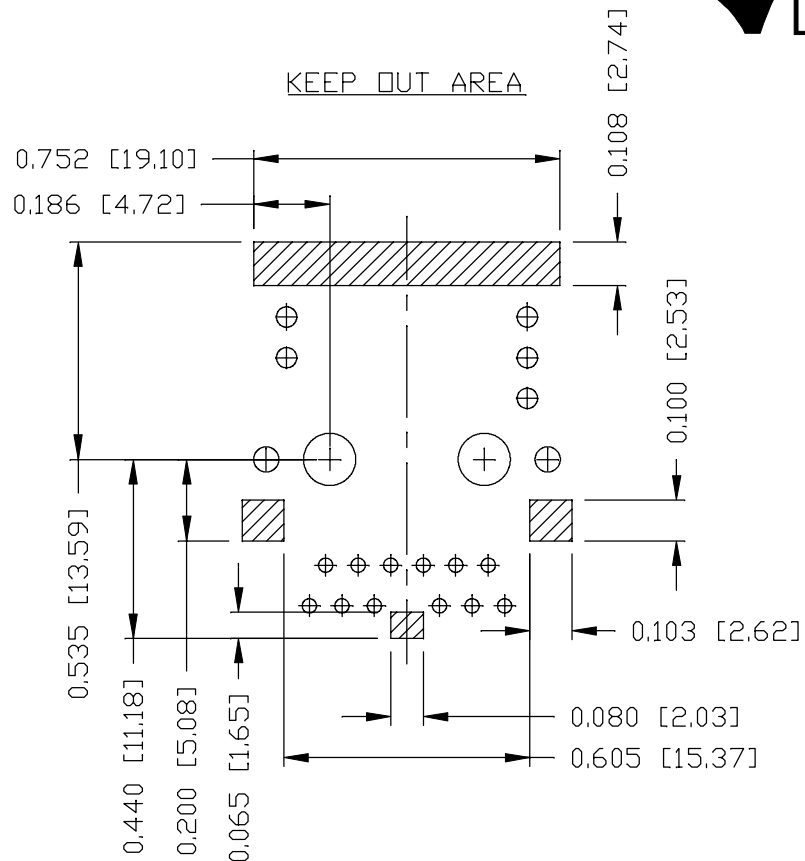
RECOMMENDED PCB FOOTPRINT

COMPONENT SIDE VIEW



FOR ONE UNIT

KEEP OUT AREA



THE SHADED AREA ON THE CUSTOMER BOARD ARE RECOMMENDED TO BE CLEAR OFF ANY VIA HOLE OR COMPONENT PAD.

ORIGINATED BY
LI QUANKUN
DATE 2017-03-17

TITLE
10 Gigabit MagJack®
(Ultra Low Profile)
G10-1GHT-012E
PATENTED

DRAWN BY
ZHANG XUEZHENG
DATE 2017-03-17

PART NO. / DRAWING NO.
G10-1GHT012E

FILE NAME
G10-1GHT012E_B.DWG

STANDARD DIM.
TOL. IN INCH

.X
.XX
.XXX ±0.004

[] METRIC DIM.
AS REF.

UNIT : INCH [mm]
SCALE : N/A
SIZE : A4

REV. : B

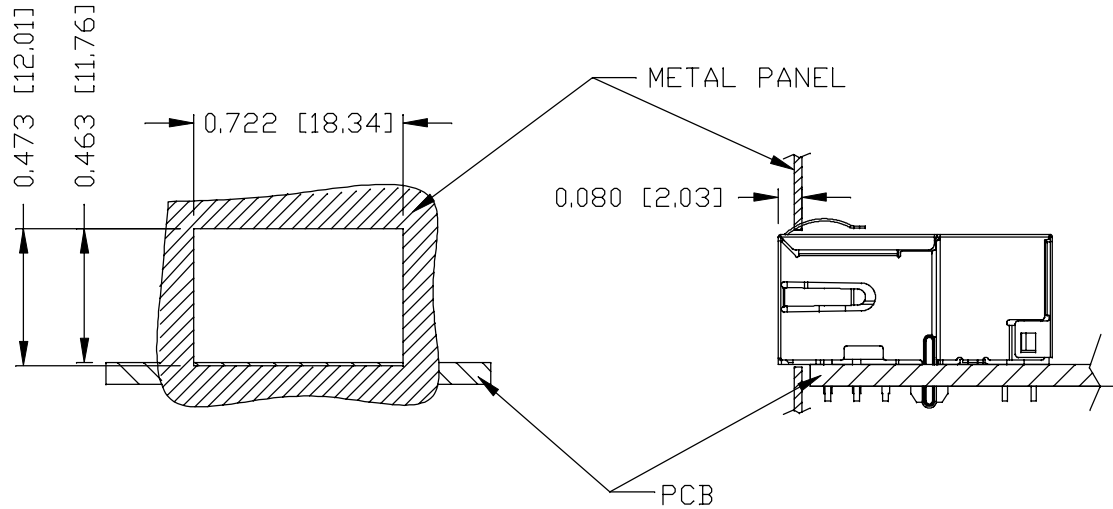
PAGE : 4



THE INFORMATION CONTAINED HEREIN IS CONSIDERED "PROPRIETARY" TO BEL FUSE INC. AND SHALL NOT BE COPIED, REPRODUCED OR DISCLOSED WITHOUT THE WRITTEN APPROVAL OF BEL FUSE INC.



SUGGESTED PANEL OPENING



NOTE:

THE DISTANCE OF PANEL INSIDE SURFACE RELATIVE TO FRONT SURFACE OF PART IS ONLY A SUGGESTION. IN CASE THIS DISTANCE IS DIFFERENT, THE REQUIRED PANEL OPENING DIMENSIONS CHANGE ACCORDINGLY.

TRAY PACKING INFORMATION

PACKING TRAY : 0200-9999-E4 (TOP)
 0200-9999-E5 (BOTTOM)
 PACKING QUANTITY : 60 PCS FINISHED GOODS PER TRAY
 11 TRAYS (660 PCS FINISHED GOODS) PER CARTON BOX
 NOTE : CARDBOARDS ARE PLACED BETWEEN LAYERS OF PACKING TRAY INSIDE CARTON BOX (INCLUDE THE UPPERMOST AND LOWERMOST TRAY)

REV. :	B	PAGE :	5
--------	---	--------	---

ORIGINATED BY LI QUANKUN DATE 2017-03-17 DRAWN BY ZHANG XUEZHENG DATE 2017-03-17	TITLE 10 Gigabit MagJack® (Ultra Low Profile) G10-1GHT-012E PATENTED	PART NO. / DRAWING NO. G10-1GHT012E	STANDARD DIM. TOL. IN INCH	[] METRIC DIM. AS REF.
		FILE NAME G10-1GHT012E_B.DWG	.X .XX .XXX	UNIT : INCH [mm] SCALE : N/A SIZE : A4
			±0.004	



Mouser Electronics

Authorized Distributor

Click to View Pricing, Inventory, Delivery & Lifecycle Information:

Bel:

[G10-1GHT-012E](#)