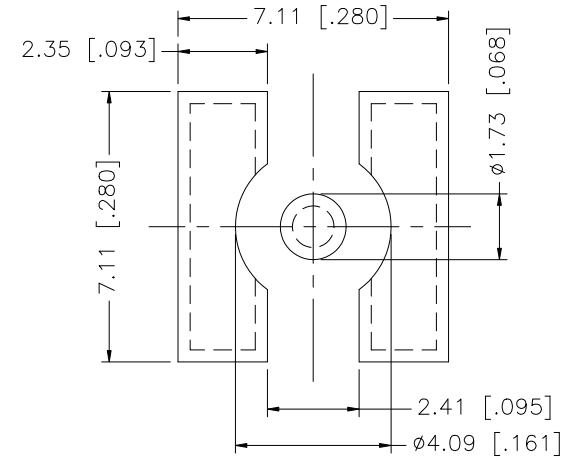
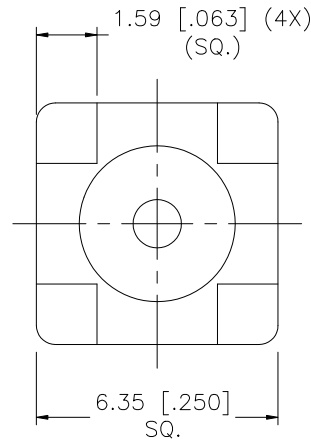
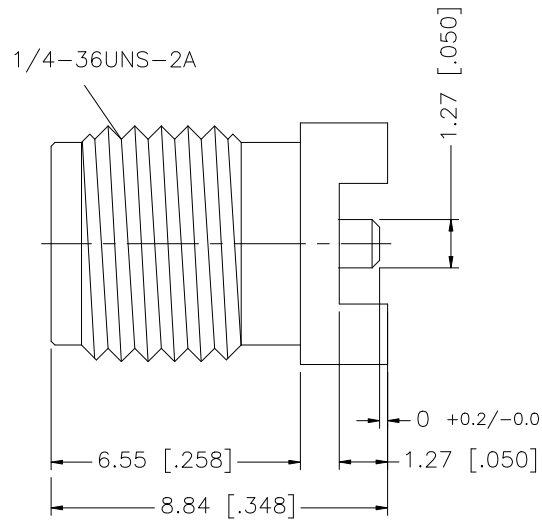


REV.	DATE	DESCRIPTION
NC	11/25/02	INITIAL RELEASE



P.C.B. LAYOUT

8					<small>UNLESS OTHERWISE SPECIFIED DIMENSIONS ARE IN MILLIMETERS. DIMENSIONS IN [] ARE IN INCHES AND FOR CUSTOMER REFERENCE ONLY.</small> <small>UNLESS OTHERWISE SPECIFIED TOLERANCES FOR MILLIMETERS ARE: 0.5 - 8mm ± 0.20mm 8 - 30mm ± 0.40mm 30 - 120mm ± 0.50mm</small> <small>UNLESS OTHERWISE SPECIFIED TOLERANCES FOR INCHES ARE: .020 - .315 = ± 0.007" .315 - 1.180 = ± 0.015" 1.180 - 4.724 = ± 0.020"</small>	APPROVALS	DATE	<h1 style="color: blue;">Amphenol Connex</h1>					
7						DRAWN	G.R.S.					11/25/02	PART DESCRIPTION SMA SURFACE MOUNT JACK -
6						CHECKED			PART NO. 132134-10				
5						ISSUED							DWG. NO. 132134-10.DWG
4						SHEET	1 OF 1		REV.	NC	SIZE	A	
3	CONTACT PIN	BER. COPPER	GOLD	1	DO NOT SCALE DRAWING	CAD FILE	C:/132/132134-10.DWG						
2	INSULATOR	TEFLON	NATURAL	1									
1	BODY	BRASS	GOLD	1									
	DESCRIPTION	MATERIAL	FINISH	QTY									

Mouser Electronics

Authorized Distributor

Click to View Pricing, Inventory, Delivery & Lifecycle Information:

[Amphenol:](#)

[132134-10](#)