

# WRLM MAINS LOCK SWITCHES

## GENERAL ELECTRICAL & MECHANICAL SPECIFICATION

|                        |                                 |
|------------------------|---------------------------------|
| Switch Rating:         | 4/80A @250V ac. R/C             |
| Life:                  | >15,000 Cycles                  |
| Operating Temperature: | -25°C to +85 °C                 |
| Proof Voltage:         | 3kV min. (Initial)              |
| Insulation Resistance: | >999 MΩ at 500Vdc (Initial)     |
| Contact Resistance:    | <20 MΩ (Initial)                |
| Flame Retardency:      | UL94 V0                         |
| Switch contacts:       | Silver Cadmium Oxide            |
| Switch Chamber:        | Polyamide 6.6 GF V0 Rated       |
| Tag Panel:             | SRBP                            |
| Terminals:             | Brass CZ108 Ag Plated           |
| Lock Housing:          | Zinc Alloy Bright Chrome Plated |
| Keys per lock:         | 2 off - Brass Ni Plated         |

**RoHS COMPLIANT**



Switch Module ENEC approved to EN61058 by DEMKO  
ASSEMBLY IP66 / IP67 RATED

| CIRCUITRY                       | TERMINAL LAYOUT VIEWED FROM REAR OF SWITCH | KEY WITHDRAWAL POSITIONS |
|---------------------------------|--|--------------------------|
| 2 POLE OFF-ON                   |  |                          |
| 2 POLE ON-OFF (NORMALLY CLOSED) |  |                          |

## GENERAL FEATURES

- Made in UK.
- Miniature key –operated Lock
- Up to 200 key combinations - keys to differ
- Common keys available – keys to pass
- Two part construction. The lock is inserted into the panel from the front. The mains switch module snaps-on, from the rear of the panel.
- Standard solder terminals (Printed circuit terminals optional – add /P to part number).
- For continued exterior use lubricate lock regularly
- Snap on switch module
- M16 earth tag available as an optional extra

### WRLM ORDER CODES

| SWITCH          | KEY             | POSITION IN WHICH KEY FREE      | Tapered lock Head Order-codes |
|-----------------|-----------------|---------------------------------|-------------------------------|
| 2 POLE OFF – ON | DIFFERS DIFFERS | 0° and 90° (1+4)<br>0° only (1) | WRLM -5-Q-D<br>WRLM -5-S-D    |
| 2 POLE OFF –ON  | SAME SAME       | 0° and 90° (1+4)<br>0° only (1) | WRLM -5-Q-S<br>WRLM -5-S-S    |
| 2 POLE ON-OFF   | DIFFERS DIFFERS | 0° and 90° (1+4)<br>0° only (1) | WRLM -5-R-D<br>WRLM -5-T-D    |
| 2 POLE ON-OFF   | SAME SAME       | 0° and 90° (1+4)<br>0° only (1) | WRLM -5-R-S<br>WRLM-5-T-S     |

**LOCK TYPE:** 5 Disc.

**LOCK MOVEMENT:** 90°

**LOCK COMBINATIONS:** 200 differs or all to pass (same key for all locks).

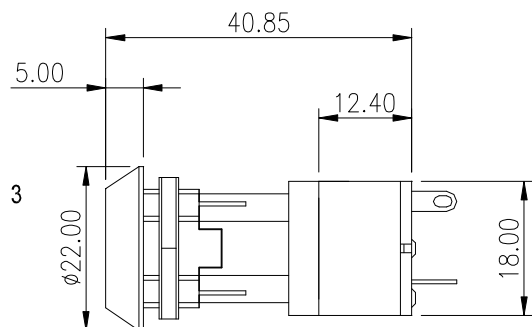
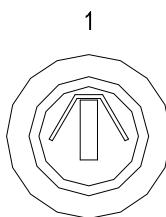
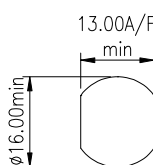
**KEY TYPE:** Flat, double entry (key can be inserted into the lock either way up).

**MASTER KEY SYSTEM AVAILABLE:** No

**MAXIMUM PANEL THICKNESS:** 4.5mm.

**NUMBER OF KEYS:** 2

### PANEL PIERCING DETAILS



### TAPERED LOCK HEAD