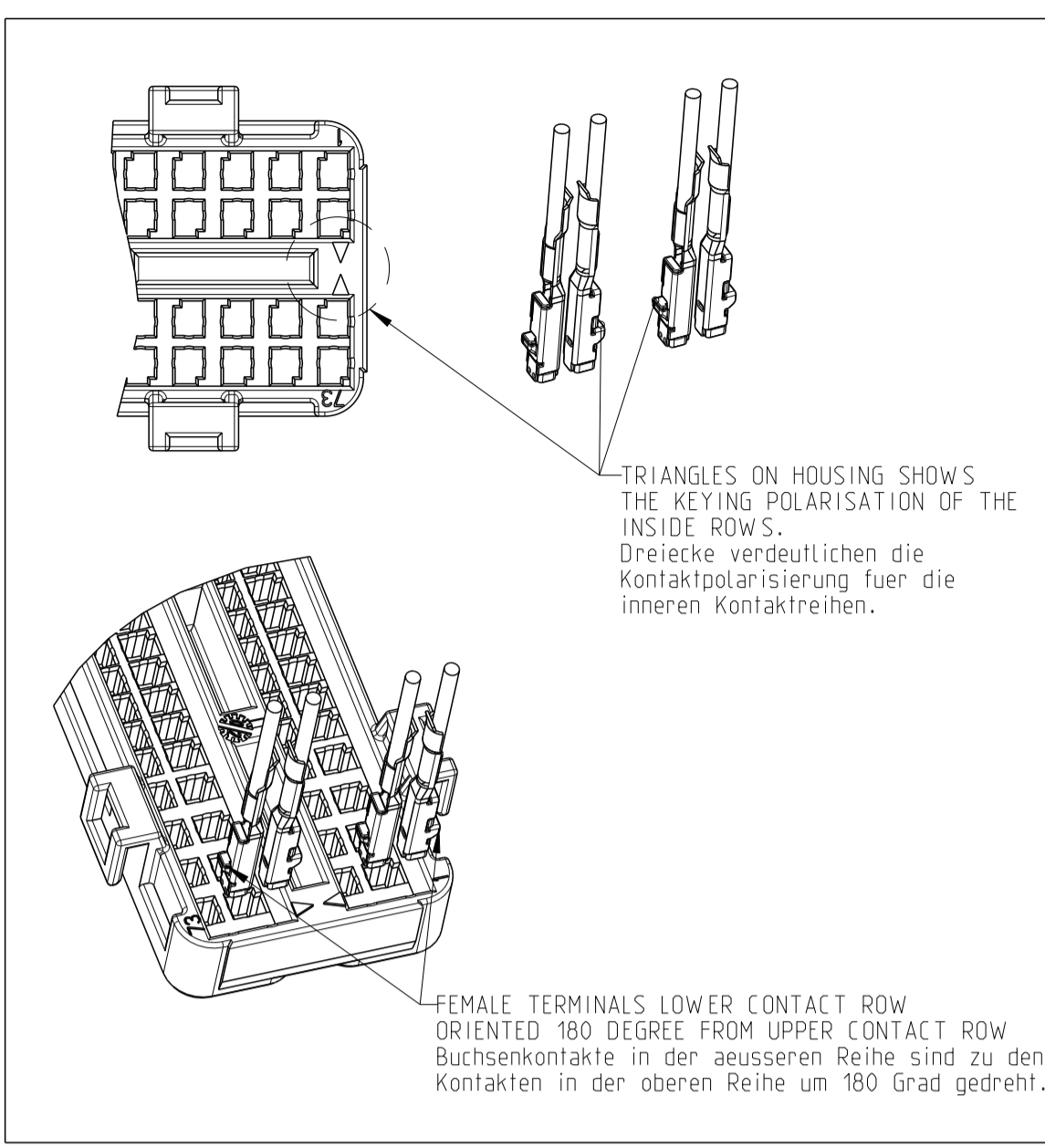
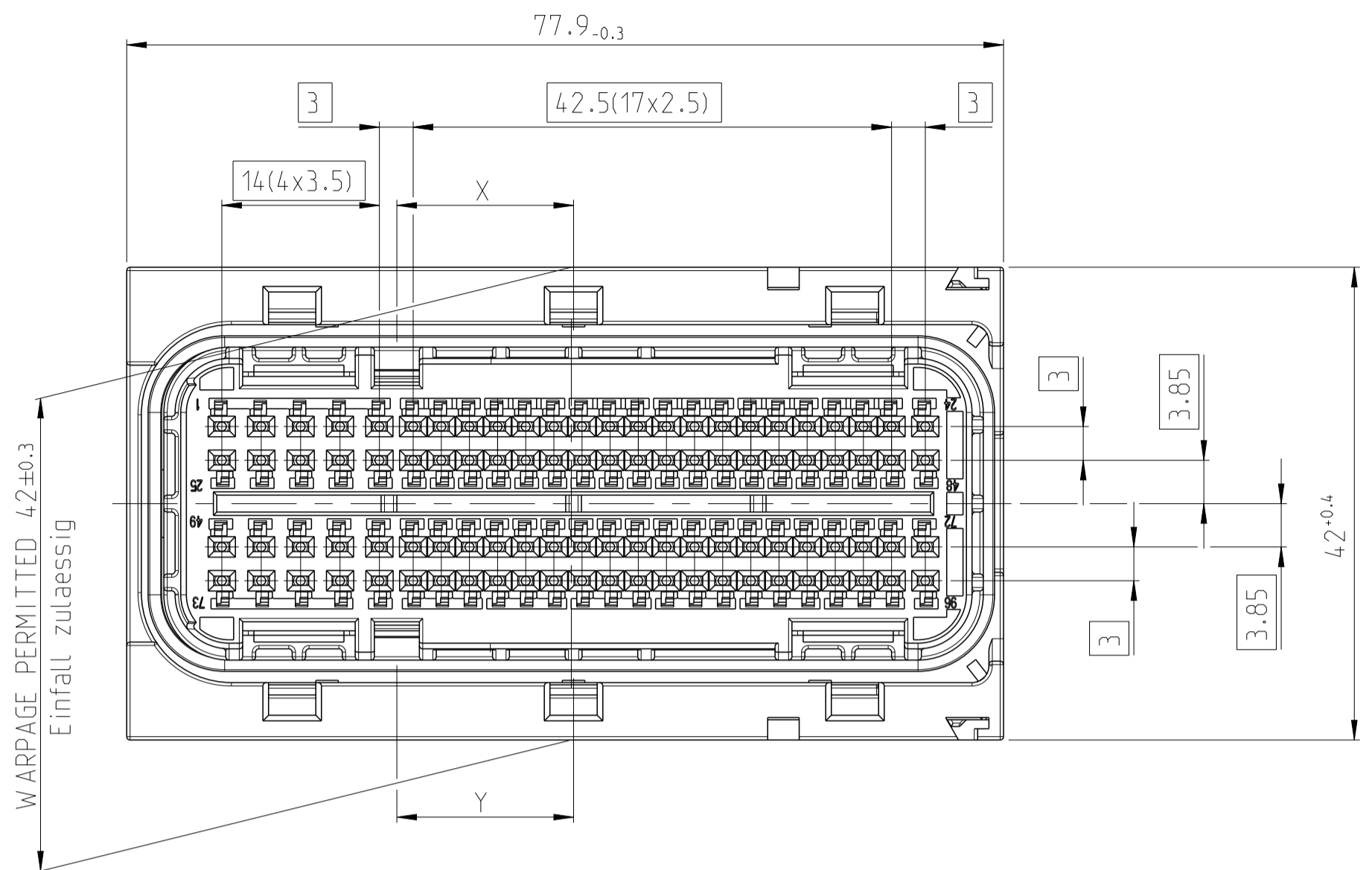


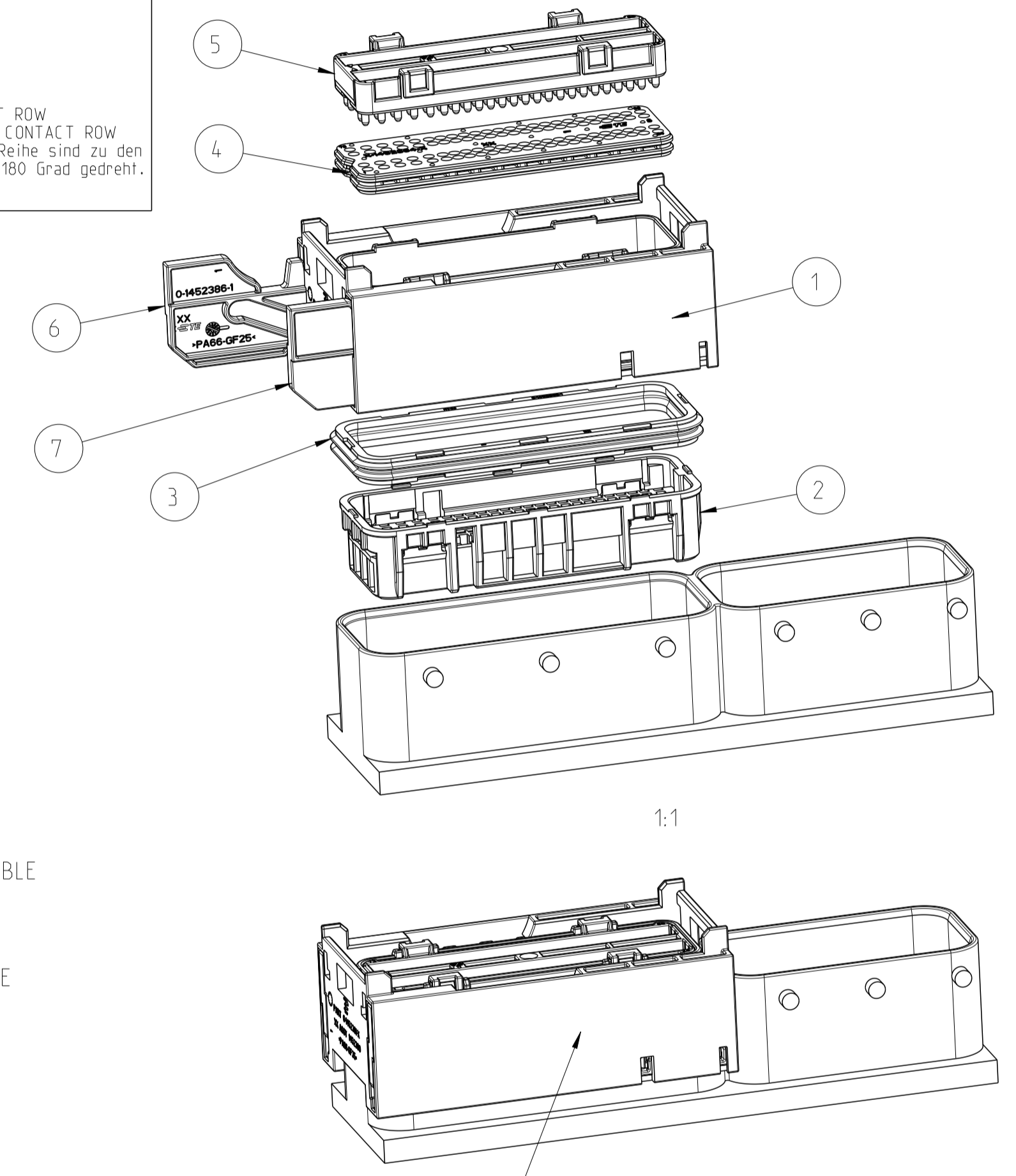
UP TO
 0.75 mm²
 WIRE SIZE

-	-	-
A	15.7	15.7
CODING	X	Y

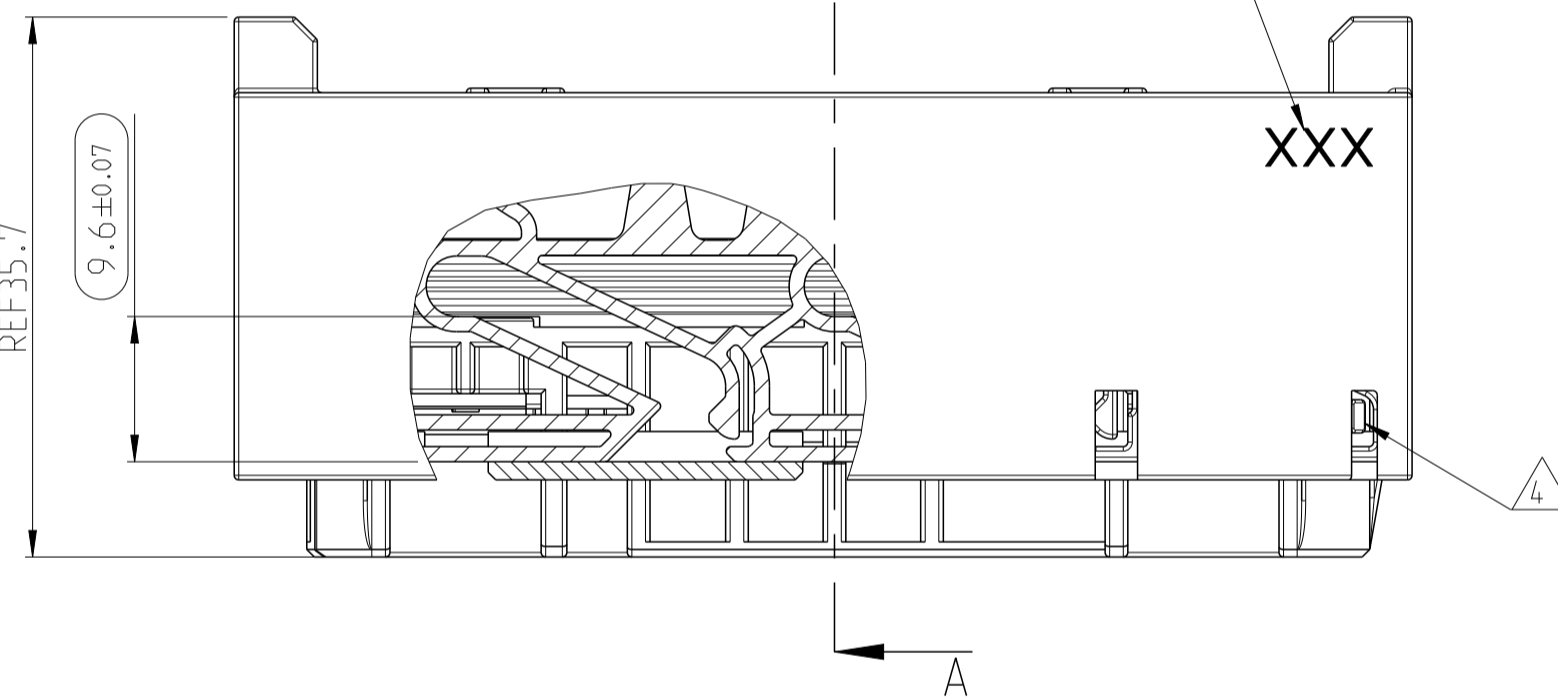
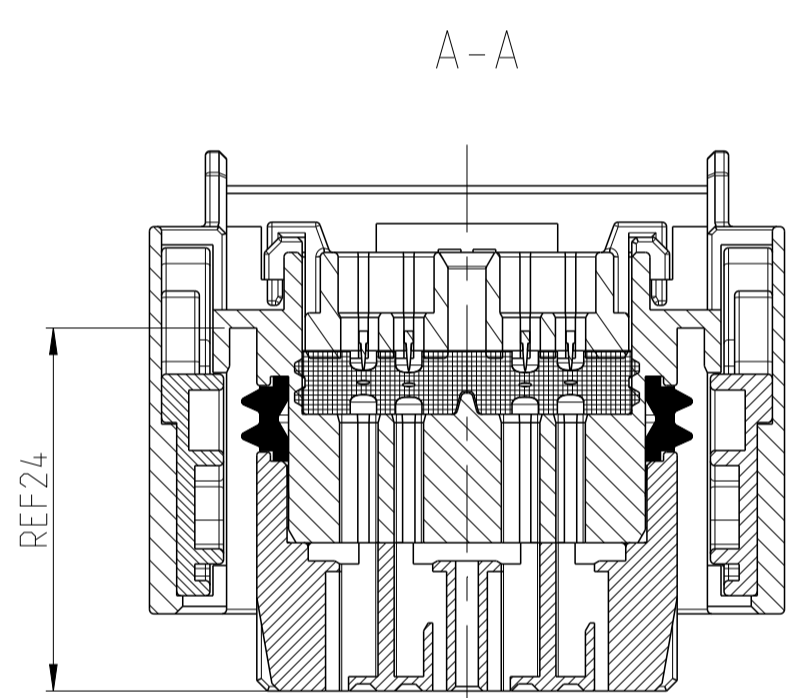


LOC	DIST	REVISIONS					
A1	-	P	LTH	DESCRIPTION	DATE	OWN	APVD
		L4		ECR-14-014186	22SEP2014	SS	GM
		L5		ECR-16-013617	23SEP2016	KC	SH
		L6		ECR-16-014434	12OCT2016	KC	SH
		L7		ECR-17-008199	15JUNE2017	KC	PT

QTY	REQD PER ASSY	ASSY NO	MATERIAL	DESCRIPTION	COLOUR	ITEM NO
1x		PA66-GF25	96 POS. PCM CON. SLIDE RIGHT	BLACK	7	
1x		PA66-GF25	96 POS. PCM CON. SLIDE LEFT	BLACK	6	
1x		PBT-GF20	96 POS. PCM CON. COVER FOR FAMILY SEAL	BLACK	5	
1x		SILICONE	96 POS. PCM CON. FAMILY SEAL	WHITE	4	
1x		SILICONE	96 POS. PCM CON. PERIPHERAL SEAL	WHITE	3	
1x		PA66-GF35	96 POS. PCM CON. CONTACT HOUSING	BLACK	2	
1x		PA66-GF35	96 POS. PCM CON. FEMALE HOUSING	BLACK	1	
70			WEIGHT OF EACH ASSY NO (g)			
PARTS LIST						



MARKING FOR PINOUTCONFIGURATION
 SEE TABLE SHEET 2
 Markierung fuer Pinoutkonfigkonfiguration
 siehe Tabelle Blatt 2



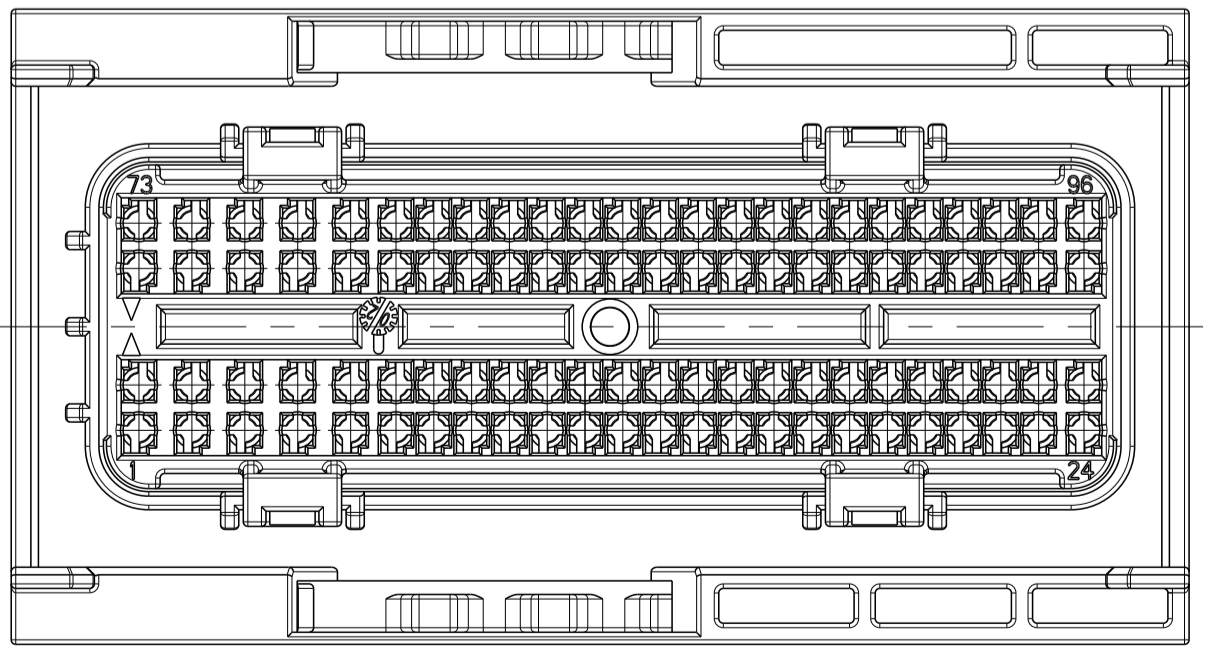
- NOTES:
 Bemerkungen:
- ASSY. USED WITH PARTS:
 Assy verwendet mit folgenden Teilen:
 HEADER BOSCH: PN: 000 20633 614
 HEADER TE: PN: 0-1565428-1
 - MATED WITH:
 Passend zu:
 COVER PN: 1452389, 0-1452862-1
 2-NDARY LOCK PN: 0-1452388-1
 Kappe PN: 1452389, 0-1452862-1
 2te Kontaktsicherung PN: 0-1452388-1
- THE HEADER IS NOT A PART OF THE DELIVERED ASSY.
 Der Header ist kein Bestandteil der gelieferten ASSY.
- SEALING FUNCTION REQUIRES ONLY FOLLOWING WIRE SIZE DIAMETERS FOR THE SIGNAL TERMINALS:
 Zur Sicherstellung der Dichtigkeit duerten folgende Drahtquerschnitte bei den Signalkontakten verwendet werden:
- 0.5mm² - 0.75mm² = ISO Ø1.4-1.9mm
 FOR ALL WITH "X" MARKED CAVITIES. SEE PINOUT CONFIGURATION TABLE fuer alle markierten Felder mit "X" in der Pinbelegungstabelle
 - 1.0mm² - 1.5mm² = ISO Ø1.9-2.4mm
 FOR ALL WITH NUMBERED CAVITIES. SEE PINOUT CONFIGURATION TABLE fuer alle nummerierten Felder in der Pinbelegungstabelle
- ASSY DELIVERED WITH SLIDES IN ENDOLOCK POSITION
 Anlieferungszustand Schieber in Endraststellung
 - TE-PN SHOWN AS "NOT USED" WERE RAISED FOR THE CONNECTOR TE-PN: X-1452419-X
 TE-Nr. mit "NOT USED" in der Pinbelegungstabelle werden verwendet im Stecker TE-Nr: X-1452419-X
 - TE-PN SHOWN AS "NOT USED" WERE RAISED FOR THE CONNECTOR TE-PN: X-1452423-X
 TE-Nr. mit "NOT USED" in der Pinbelegungstabelle werden verwendet im Stecker TE-Nr: X-1452423-X
- INSPECTION DIMENSION
 Kontrollmasse

* 1394897 WILL BE REPLACED DURING NEXT YEAR BY 1670144
 * 1394897 wird innerhalb eines Jahres ersetzt durch 1670144

TERMINALS TE PN	FINISH Oberflaeche	WIRE SIZE (mm ²) Drahtquerschnitt (mm ²)	NOTES Bemerkungen
0-1452503-3		1.0 - 1.5	
0-1670144-3 *	SILVER PLATED	0.5 - 0.75	
0-1534594-3		0.25 - 0.35	
0-1452503-2		1.0 - 1.5	
0-1670144-2 *	GOLD PLATED	0.5 - 0.75	
0-1534594-2		0.25 - 0.35	
0-1452503-1		1.0 - 1.5	
0-1670144-1 *	PRE-TIN	0.5 - 0.75	
0-1534594-1		0.25 - 0.35	

BLINDPLUG
 Blindstopfen
 0.75mm²
 PN 1-1452424-1
 BROWN / Braun

1.5mm²
 PN 1-1452424-2
 BLUE / Blau



THIS DRAWING IS A CONTROLLED DOCUMENT.		OWN: K.ROTH 12MAR2002	TE Connectivity														
DIMENSIONS: mm		CHK: S.DENTER 12MAR2002															
TOLERANCES UNLESS OTHERWISE SPECIFIED:		APVD: G.MUMMER 14MAR2002	NAME: 96POS. RECEPTACLE HOUSING ASSEMBLY														
<table border="1"> <tr><td>0 PLC</td><td>±0.1</td></tr> <tr><td>1 PLC</td><td>±0.15</td></tr> <tr><td>2 PLC</td><td>±0.2</td></tr> <tr><td>3 PLC</td><td>±0.3</td></tr> <tr><td>4 PLC</td><td>±0.4</td></tr> <tr><td>ANGLES</td><td>±0.5</td></tr> <tr><td>FINISH</td><td>±0.1</td></tr> </table>		0 PLC	±0.1	1 PLC	±0.15	2 PLC	±0.2	3 PLC	±0.3	4 PLC	±0.4	ANGLES	±0.5	FINISH	±0.1	APPLICATION SPEC: 114-18534-1	SIZE: 114-18534-1
0 PLC	±0.1																
1 PLC	±0.15																
2 PLC	±0.2																
3 PLC	±0.3																
4 PLC	±0.4																
ANGLES	±0.5																
FINISH	±0.1																
MATERIAL: -		WEIGHT: -	RESTRICTED TO: -														
Customer Drawing		SCALE: 2:1	SHEET: 1 OF 3														
		DRAWING NO: 00779	REV: L7														
		CAGE CODE: 1452380															

