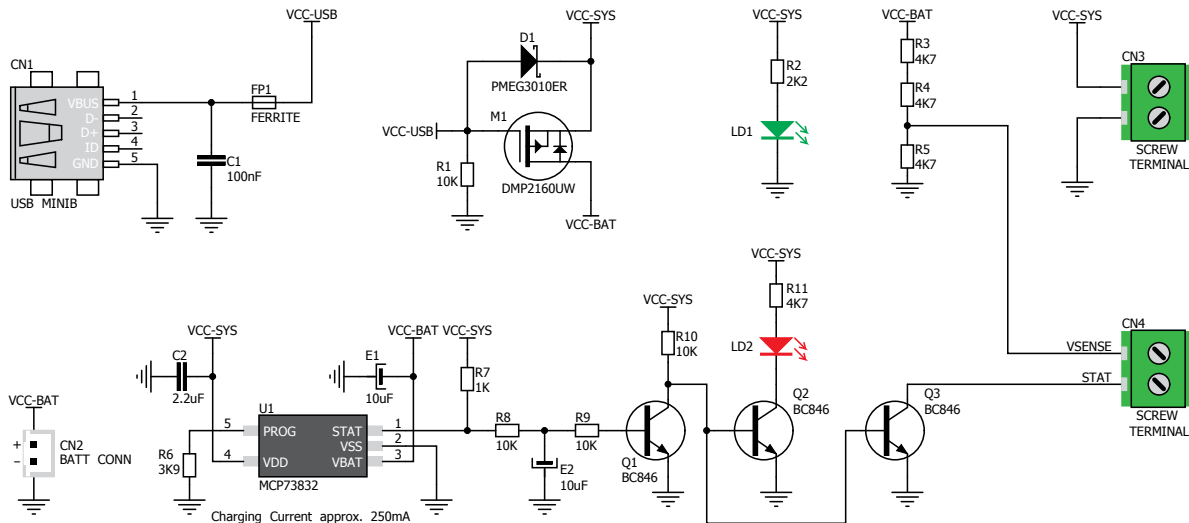


Schematic of VOLT - Smart USB Li-Po battery charger



Charging Current approx. 250mA

Mouser Electronics

Authorized Distributor

Click to View Pricing, Inventory, Delivery & Lifecycle Information:

[MikroElektronika:](#)

[MIKROE-1198](#)