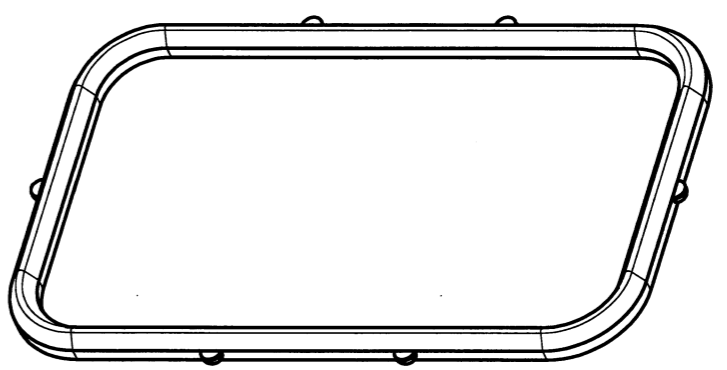
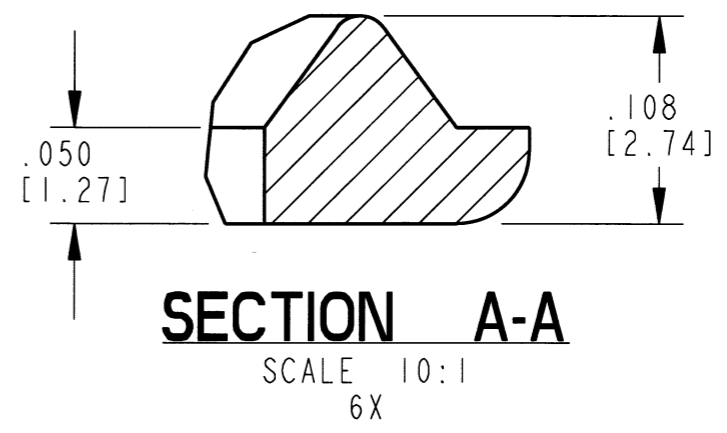
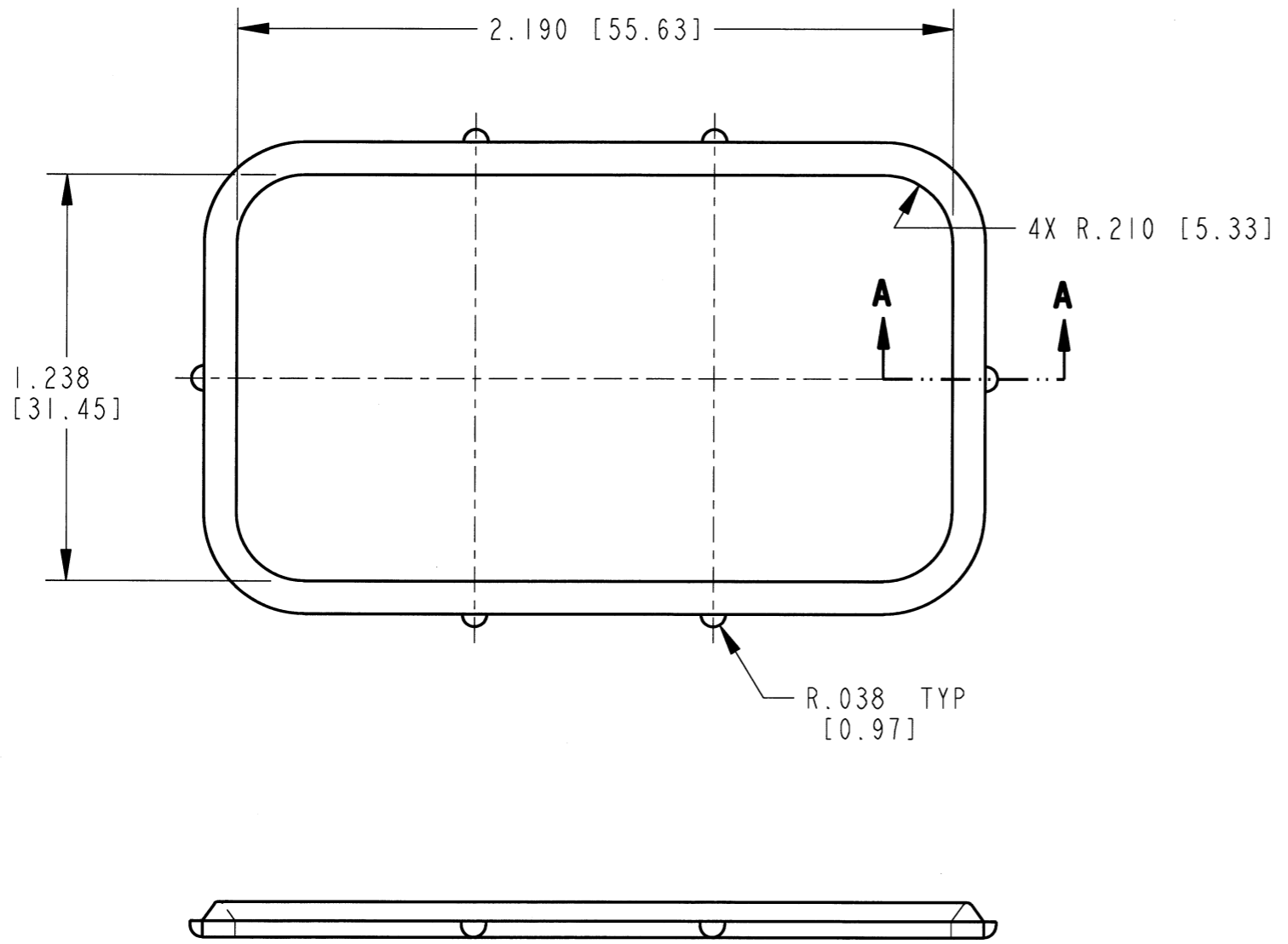


REV  
A 0510-014-2406

REVISIONS			
SYM	DESCRIPTION	DATE	APPROVED
NC	NEW RELEASE PER E.O. A09300	2-12-90	J.A.
A	REVISED AND REDRAWN PER E.O. P21320	3-9-12	ADR




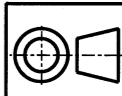
3D VIEW

- 4. MATERIAL: SILICONE.
  - 3. THIS PART IS USED ON DRC10-24P\*-\*\*\*\*.  
(\* = A, B, C, D KEYS; \*\*\*\* = ALL MODIFICATIONS).
  - 2. DIMENSION TOLERANCE:  $\pm .025$  [.64].
  - 1. ALL DIMENSIONS ARE IN INCHES [MM].
- NOTES: UNLESS OTHERWISE SPECIFIED.

SIGNATURE & DATE	
DR	D. HASIBUAN 03/05/12
CHK	<i>[Signature]</i> 3/9/12
PE	D. Hasibuan 3/9/12
APPD	<i>[Signature]</i> 3/9/12
SCALE	NONE WT

FLANGE SEAL FOR  
OUTSIDE MOUNT  
RECEPTACLE  
24 PIN  
DRC SERIES  
  
ENVELOPE

EP	MATL. CODE
 3850 INDUSTRIAL AVE. HEMET, CA 92545	
<b>B</b>	<b>0510-014-2406</b>
DWG SIZE	CODE 11139 SHEET   OF



# Mouser Electronics

Authorized Distributor

Click to View Pricing, Inventory, Delivery & Lifecycle Information:

[TE Connectivity:](#)

[0510-014-2406](#)