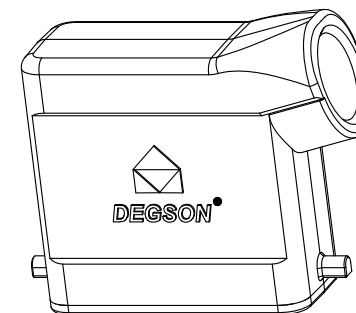
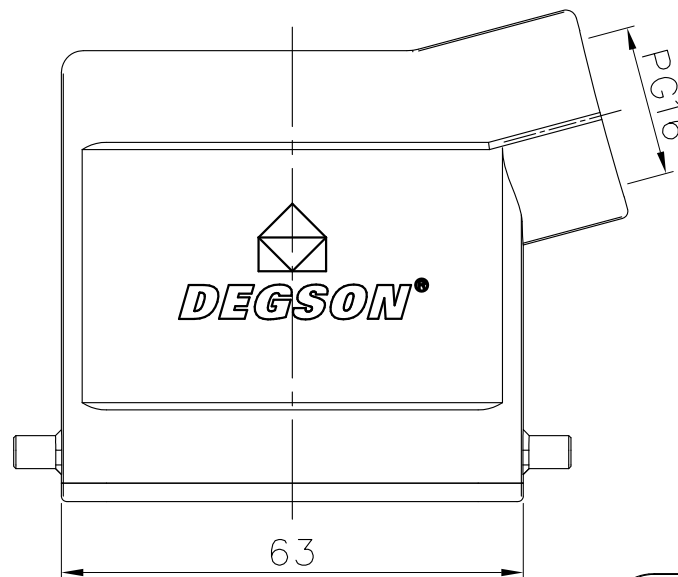
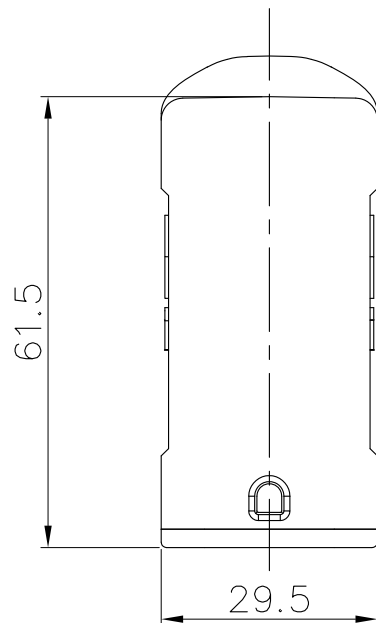

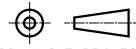


REVISION RECORD				
REV	ECN	DESCRIPTION	DRFT	DATE



Hoods Feature

1. Material: Aluminium die-cast
2. Color: grey(RAL 7037)
3. Limiting temperatures: -40 °C ~ +125 °C
4. Sealing: NBR
5. Flammability acc to UL94: V0
6. Degree of protection acc.to EN60529 for coupled connector: IP65
7. Rohs Compliance

DETACHED LISTS	PART NO.: /	 宁波高松电子有限公司 NINGBO DEGSON ELECTRICAL CO., LTD		
	APPD:	NAME: D10A-SE-2g-PG16		
	CHKD:	TITLE: CUSTOMER DRAWING		
	DRFT: WYM 2016/07/29	DRAWING NO.: D10A-SE-2g-PG16-E01	REV	D0-1
 THIRD ANGLE PROJECTION		MM (INCH)	DO NOT SCALE DRAWING	SCALE

H
G
F
E
D
C
B
A

H
G
F
E
D
C
B
A