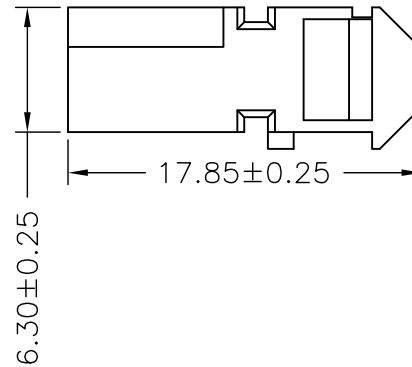
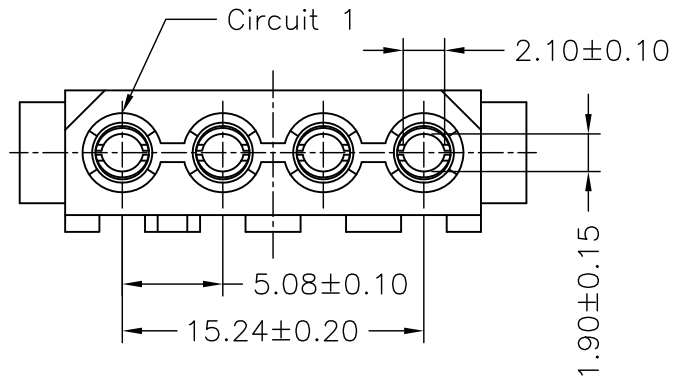


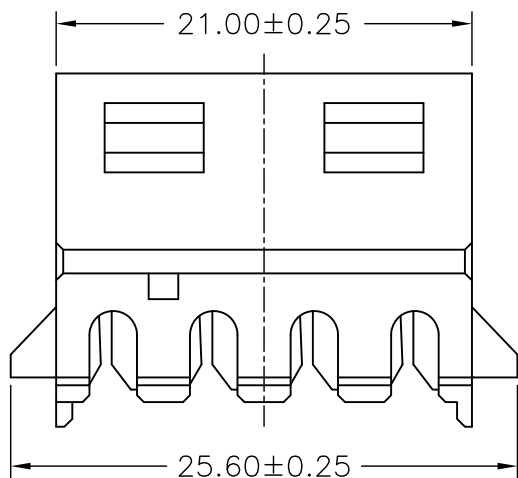
Ordering code



	C5080	HI-04P	XXX
	①	②	③ ④
①	Series No.		
②	Connector type: HI=I.D.C.Connector		
③	No. of circuits		
④	Option code:		
	-16=AWG#16		
	-18=AWG#18		
	-20=AWG#20		
	-22=AWG#22		



SPECIFICATIONS

Current Rating: 10A AC,DC  
 Voltage Rating: 250V AC,DC  
 Temperature Range: -25°C ~ +85°C  
 Contact Resistance: 10mΩ Max  
 Insulation Resistance: 1000MΩ Min  
 Withstanding Voltage: 1500V AC/minute  
 Terminal: Phosphor Bronze/Tin-plated  
 Material: Nylon 66,UL94V-2  
 Color: Natural(Translucent)



						燦達電子工業股份有限公司 JOINT TECH ELECTRONIC IND. CO., LTD.	
		UNIT	SCALE	SHEET	TITLE:		
		mm		1 of 1	5.08mm PITCH I. D. C. HOUSING		
		DRAWN BY		APPROVED BY			
		歐陽小強		董正一			
		2007.04.25		2007.04.25			
A3	ENI107280313	2011.07.28	肖勇				
A2	REVISE	2008.11.12	董正一	GENERAL TOLERANCE			
A1	REVISE	2008.06.26	董正一	X. X±0.25	ANGLE±		
A0	NEW RELEASE	2007.04.25	董正一	X. XX±0.15			
REV.	DESCRIPTION	DATE	NAME	X. XXX±0.05			DRAW NO. : C5080HI-04P-XX
							REV. A3