

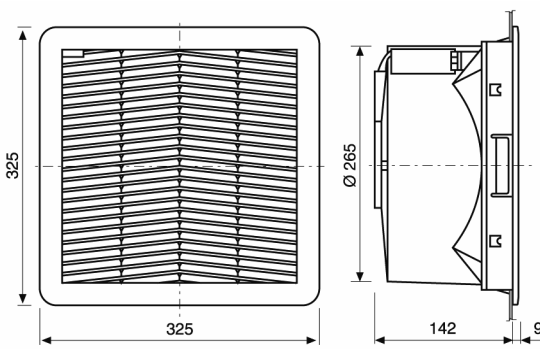
**"FPF20KG B" SERIES FAN FILTERS**

Description: **Fan filters 115/230/400 Va.c.**

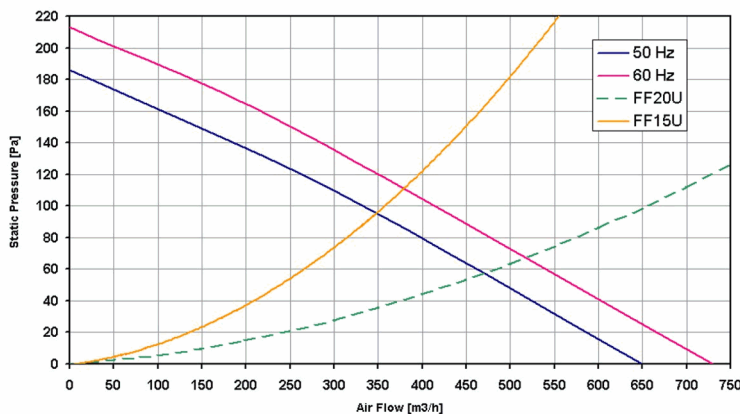
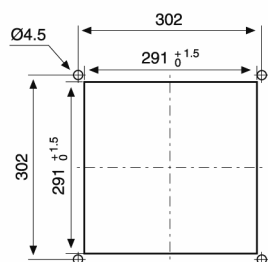


**Type of material:** ABS/PC alloy  
**Standard colour:** RAL 7032 and RAL 7035 - other colors on request  
**Protection degree:** IP54, according to EN60529 standard  
**Fixing method:** by elastichooks, otherwise by four 4.8 mm self-threading screws  
**Plate thickness:** from 1.5 mm to 2.2 mm  
**Storage temperature:** from -30°C to +75°C  
**Lifetime L10 at 40°C:** 50,000 h  
**Motor protection:** thermal  
**Electrical connection:** by terminal block 3 poles L-N-PE or 4 poles L1-L2-L3-PE  
**Earth connection:** (by terminal block, PE pole)  
**Appliance class:** Class I  
**Type of filter media:** thermo-linked progressive structure synthetic fibre  
**Filtering class:** class G3, according to EN 779  
**Degree of separation:** 85% - DIN 24185  
**Dust retention capacity:** 600 g/m<sup>2</sup>  
**Note:** filter media is washable for about 10 times  
**Weight:** 3.70 kg  
**Approvals:** CE

**technical drawing**



**mounting cut-out**



Model	Voltage	Frequency	Rated Current	Rated Power	Max Air Flow**	Static Pressure	Fan Noise	Rated Temp. Range	Approvals
	(V)	(Hz)	(A)	(W)	(m <sup>3</sup> /h)	(Pa)	[db(A)]	(°C)	
FPF20KGR115B-110	115 V a.c.	50/60	1.2/1.2	120/135	650/730	186/213	74.7/78.9	-10 ÷ +55	CE
FPF20KGR115BR-110	115 V a.c.	50/60	1.2/1.2	120/135	650/730	186/213	74.7/78.9	-10 ÷ +55	CE
FPF20KGR230B-110	230 V a.c.	50/60	0.62/0.81	140/185	650/730	186/213	67.6/70.6	-10 ÷ +55	CE
FPF20KGR230BR-110	230 V a.c.	50/60	0.460/0.64	106/147	650/730	186/213	71.0/73.0	-10 ÷ +50	CE
FPF20KGR400TB-110	400 V a.c.	50/60	0.180/0.200	93/123	650/730	186/213	76.0/79.0	-10 ÷ +55	CE

data with uncertainty of 15%

All specifications, data and drawing are subject to change without notice and are approximate. Please refer to our terms of sales including our warranty and limited liabilities clauses.