

# RB Series Rolling Ball Sensor Switch



## Features/Benefits

- Different angle options to trigger
- Ultra miniature design
- Patent awarded

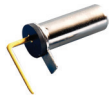
## Typical Applications

- Household goods
- Electronic toys
- Consumer electronics including irons, portable heaters, games, toys
- Safety and security controls

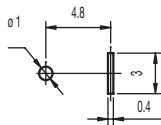
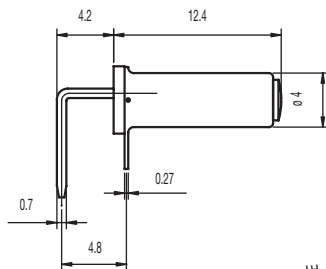
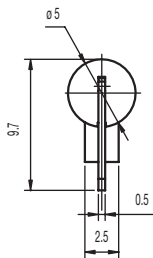
## How To Order

Part number list is shown below. For individual part details, please refer to the following.

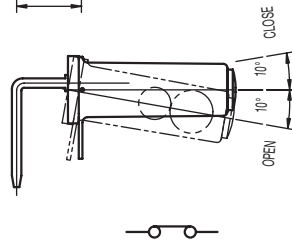
Part Number (Part Description)	Product Details
RB-231X2	Rolling Ball Sensor Switch
RB-220-07A R	Rolling Ball Sensor Switch



PART NUMBER	PACKAGING
<b>RB-231X2</b>	1,000 pieces



PCB LAYOUT



## Specifications

CONTACT ARRANGEMENT: SPST

SENSOR ANGLE: 0° to -10° scope inside, terminal to disconnection electric current

MINIMUM VOLTAGE: 1 VDC 10mA (resistive load)

MAXIMUM VOLTAGE: 5 VDC 1mA (resistive load)

OPERATING LIFE: 100,000 cycles

INSULATION RESISTANCE: 1000 M Ω min. @ 100 VDC

DIELECTRIC STRENGTH: 500 V AC (50-60 Hz)

OPERATING TEMPERATURE: -20°C to +70°C

## Materials

FRAME: Copper alloy, nickel plated

COVER: PA 46 (UL94V-0)

MOVABLE CONTACT: Copper alloy, nickel plated

TERMINALS: Copper alloy, gold plated

BRASS BALL: Brass, gold plated

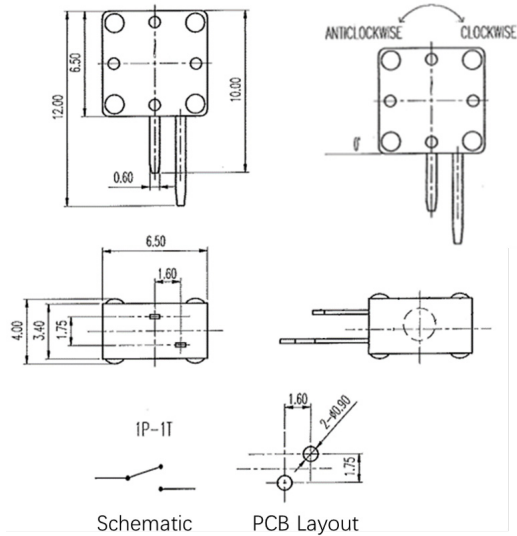


m

Detect

# RB Series Rolling Ball Sensor Switch

PART NUMBER	PACKAGING
<b>RB-220-07A R</b>	500 pieces



## Specifications

CONTACT ARRANGEMENT: SPST

SENSOR ANGLE: In the range of 15° to 90°, current appears between terminals

MINIMUM VOLTAGE: 1 VDC 10  $\mu$ A (resistive load)

MAXIMUM VOLTAGE: 5 VDC 1mA (resistive load)

OPERATING LIFE WITH LOAD: 100,000 cycles

INSULATION RESISTANCE: 10 M  $\Omega$  min. @ 100 VDC

DIELECTRIC STRENGTH: 100 V AC (50-60 Hz)

OPERATING TEMPERATURE: -10°C to +50°C

## Materials

COVER: PA

HOUSING: PA

SILICON SHEET: Silica

TERMINALS: Copper alloy, gold plated

BRASS BALL: Brass, gold plated



Detect

# Mouser Electronics

Authorized Distributor

Click to View Pricing, Inventory, Delivery & Lifecycle Information:

[C&K Switches:](#)

[RB231X2](#)