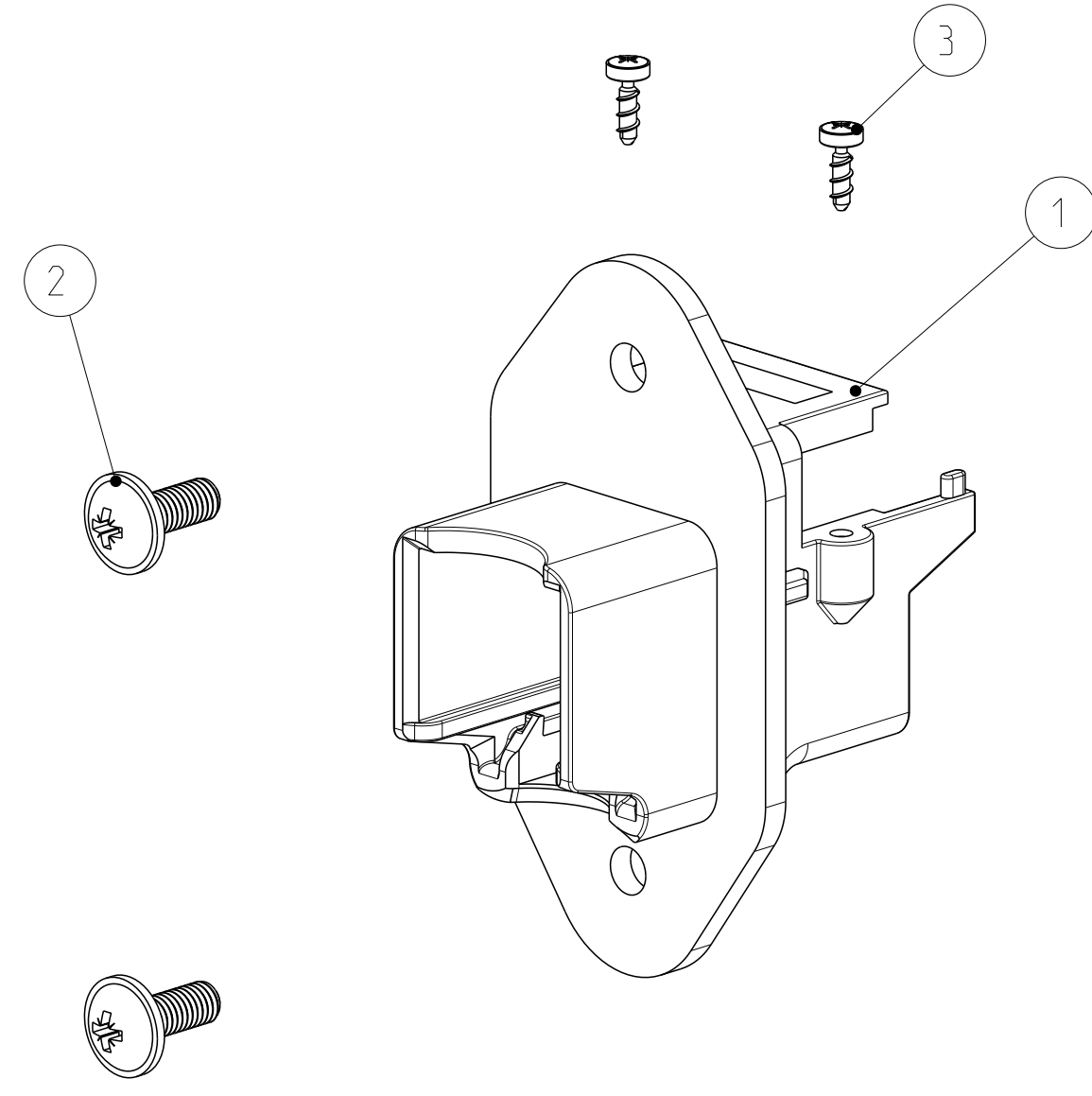
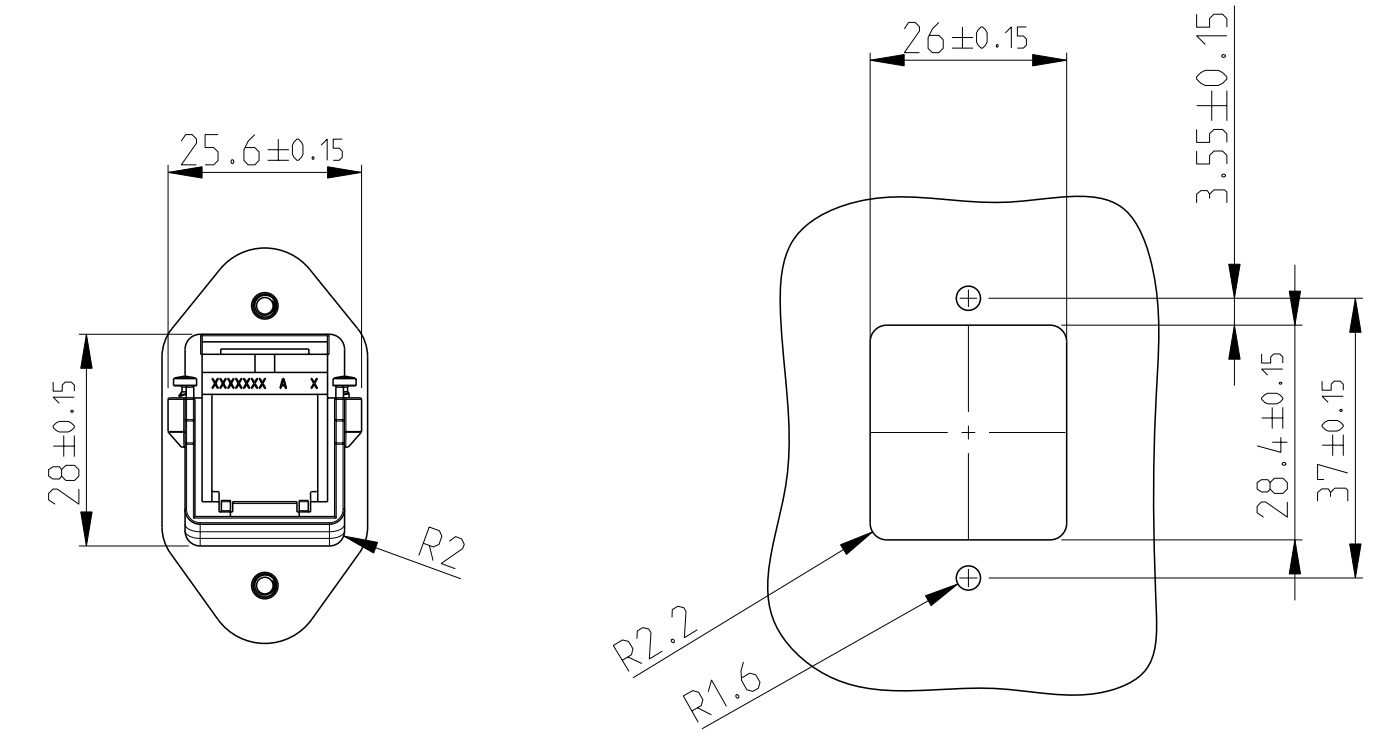


THIS DRAWING IS UNPUBLISHED. RELEASED FOR PUBLICATION 2008
 © COPYRIGHT 2008 BY - ALL RIGHTS RESERVED.

REVISIONS				
P	LTR	DESCRIPTION	DATE	APVD
A1		NEW DRAWING PUBLISHED	04FEB2008	N.T. R.K
A2		ECR-08-030470	08DEC2008	N.T. R.K.
A3		EGR-09-012142	28MAY2009	N.T. T.K.
A4		PN 1987306-2 DISCONTINUED	15DEC2017	T.J NG



CUT OUT FOR FITTING REQUIREMENT
 AUSSCHNITT FUER EINBAU BEDINGUNG



SCALE 1:1 / M 1:1

SCALE 1:1 / M 1:1

SINGLE PACKING: PLASTIC BAG (MINI GRIP) WITH MANUAL.
 MULTI PACKING: 50 PIECE ITEM NO. 1 IN CORD TENSIONING BAG+
 100 PIECE ITEM NO. 2 IN PLASTIC BAG (MINI GRIP) +
 100 PIECE ITEM NO. 3 PLASTIC BAG (MINI GRIP) +
 PACKED IN CORRUGATED SHIPPING BOX WITH MANUAL.

EINZELVERPACKUNG: KUNSTOFFBEUTEL (MINI GRIP) MIT ANLEITUNG.
 MEHRFACHVERPACKUNG: 50 STUECK POS. 1 IN KORDELZUG BEUTEL +
 100 STUECK POS. 2 IN KUNSTSTOFFBEUTEL (MINI GRIP) +
 100 STUECK POS. 3 IN KUNSTSTOFFBEUTEL (MINI GRIP) +
 VERPACKT IN VERSANDKARTON MIT ANLEITUNG.

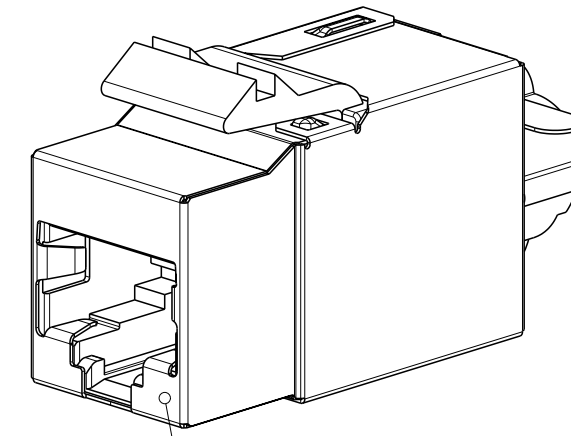
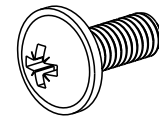
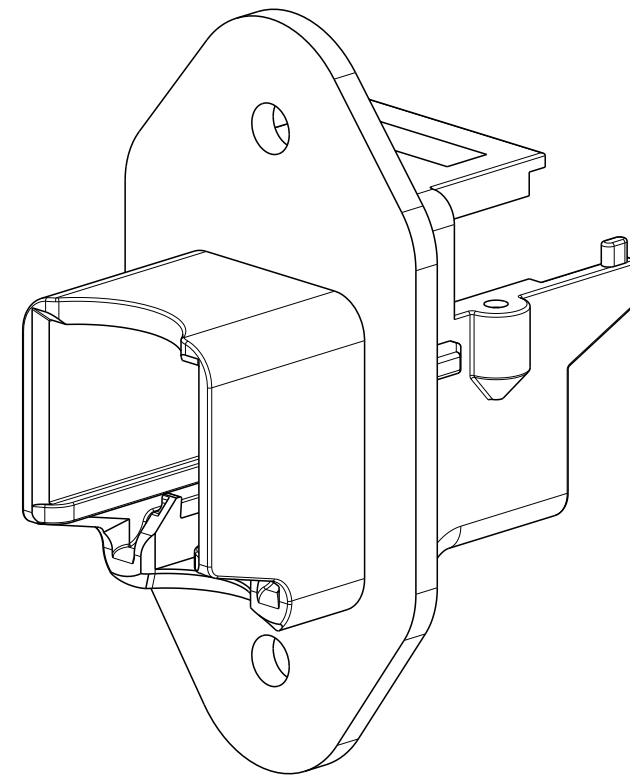
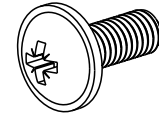
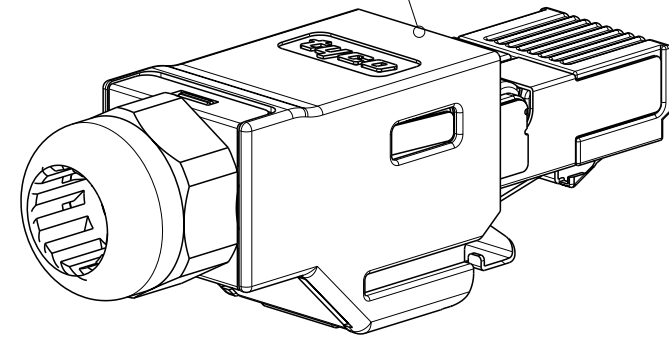
QTY REQD PER ASSY	REVISION OF EACH ASSY NO. (WHEN BLANK, USE DWG. REVISION)	DESCRIPTION	ITEM NO
-	1	MANUAL	4
-	100	TREAD ROLLING SCREW M1.6 x 6	3
-	100	ROUND HEAD SCREW M3 x 8	2
-	50	FRAME, RJ45 CONNECTOR IP20	1
-	-2	DWG. SIZE	-
-	-	←	-

THIS DRAWING IS A CONTROLLED DOCUMENT.		DWN N.Thirunavukkarasu 09NOV2007	STE TE Connectivity	
		CHK W. BOECK 04.FEB2008		
DIMENSIONS: mm		APVD R.KRAEMER 04.FEB2008	NAME ASSY, FRAME, RJ45 CONNECTOR IP20 ASSY, RAHMEN, RJ45 CONNECTOR IP20	
TOLERANCES UNLESS OTHERWISE SPECIFIED: 0 PLC ± 1 PLC ± 2 PLC ± 3 PLC ± 4 PLC ± ANGLES ±1° FINISH		PRODUCT SPEC APPLICATION SPEC WEIGHT	SIZE A2	CAGE CODE 00779
MATERIAL		CUSTOMER DRAWING	DRAWING NO C=1987306	RESTRICTED TO -
		SCALE 5:1	SHEET 1 OF 2	REV A4

APPLICABLE VERSION
 ANWENDBARE VERSION

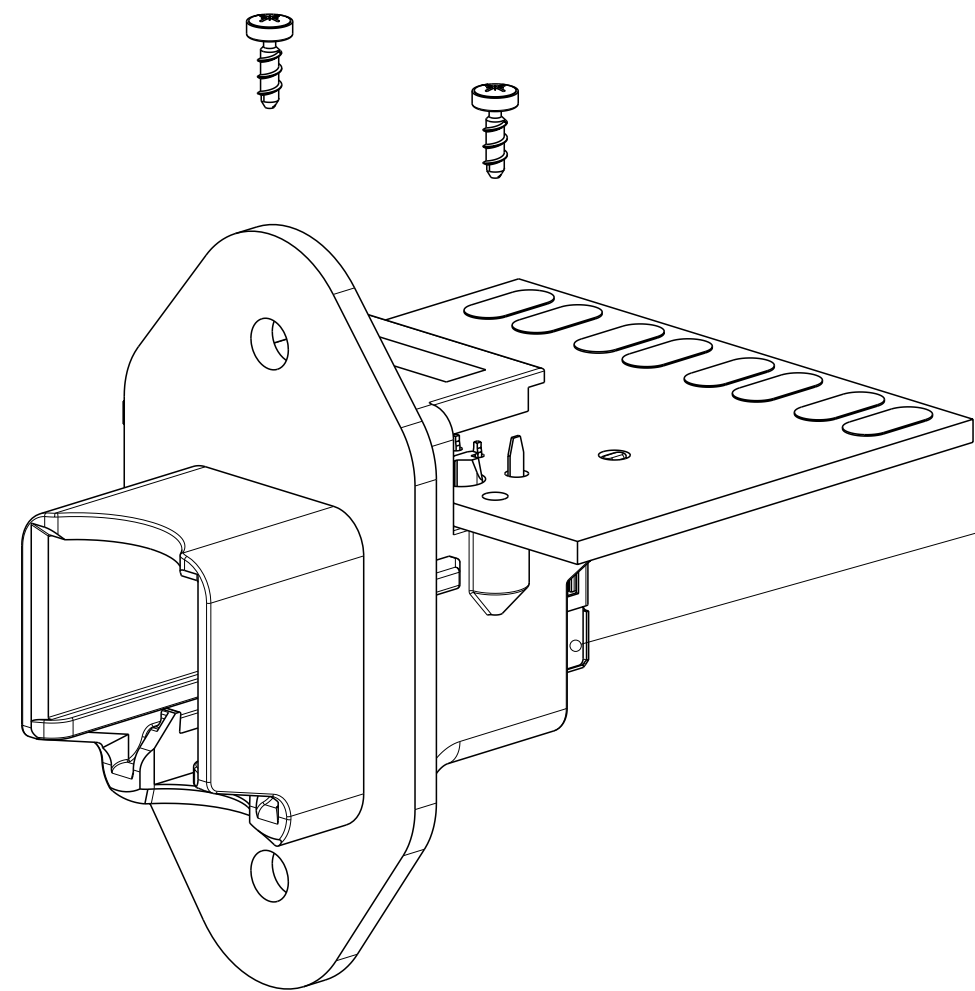
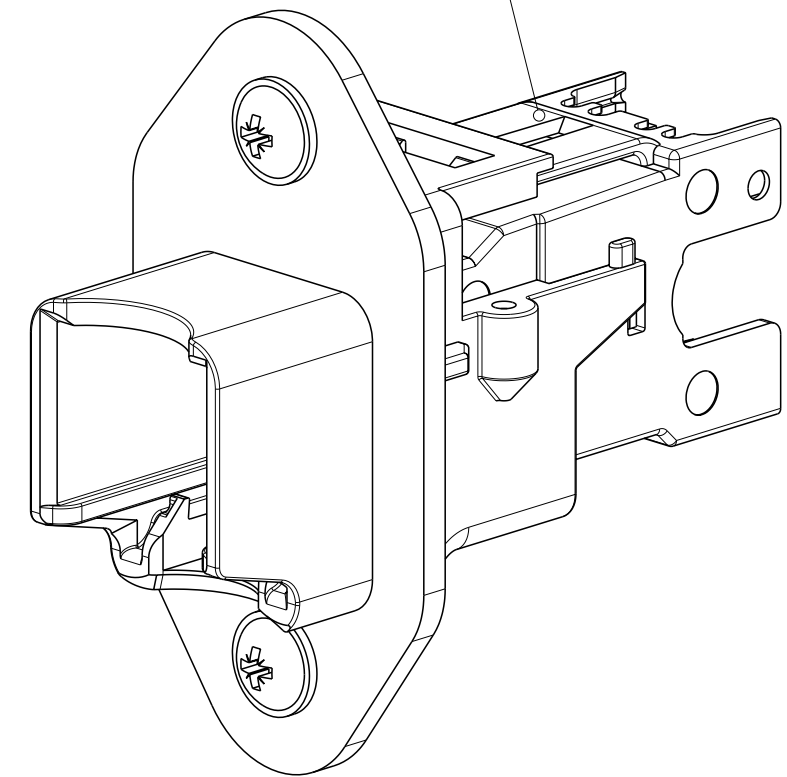
REVISIONS				
P	LTR	DESCRIPTION	DATE	APVD
-		SEE SHEET 1	-	-

RJ 45 CONNECTOR IP20 4POS DEG
 PN: 1903526-1
 RJ 45 CONNECTOR IP20 8POS DEG
 PN: 1903527-1
 RJ45 CONNECTOR IP20 45DEG
 INDUSTRIAL ETHERNET
 PN:1987236



ASSEMBLY, SL 110 JACK, SHIELD, CATEGORY 5e
 PN: 1375189-1

AMP-TWIST-6S SL JACK
 PN1711342-1



INVERTED MOD JACK ASSY SHIELDED
 PN: 406541-1

THIS DRAWING IS A CONTROLLED DOCUMENT.		DWN N.Thirunavukkarasu 09NOV2007	STE TE Connectivity		
		CHK W. BOECK 04.FEB2008			
DIMENSIONS: mm		APVD R.KRAEMER 04.FEB2008	NAME ASSY, FRAME, RJ45 CONNECTOR IP20 ASSY, RAHMEN, RJ45 CONNECTOR IP20		
TOLERANCES UNLESS OTHERWISE SPECIFIED: 0 PLC ± 1 PLC ± 2 PLC ± 3 PLC ± 4 PLC ± ANGLES ±1° FINISH		PRODUCT SPEC - APPLICATION SPEC -	SIZE A2	CAGE CODE 00779	DRAWING NO C-1987306
MATERIAL - -		WEIGHT -	RESTRICTED TO -	SCALE 2:1	SHEET 2 OF 2
CUSTOMER DRAWING			REV A4		

Mouser Electronics

Authorized Distributor

Click to View Pricing, Inventory, Delivery & Lifecycle Information:

[TE Connectivity:](#)

[1987306-1](#)