

THIS DRAWING IS UNPUBLISHED.

RELEASED FOR PUBLICATION

2008

© COPYRIGHT 2008 BY -

ALL RIGHTS RESERVED.

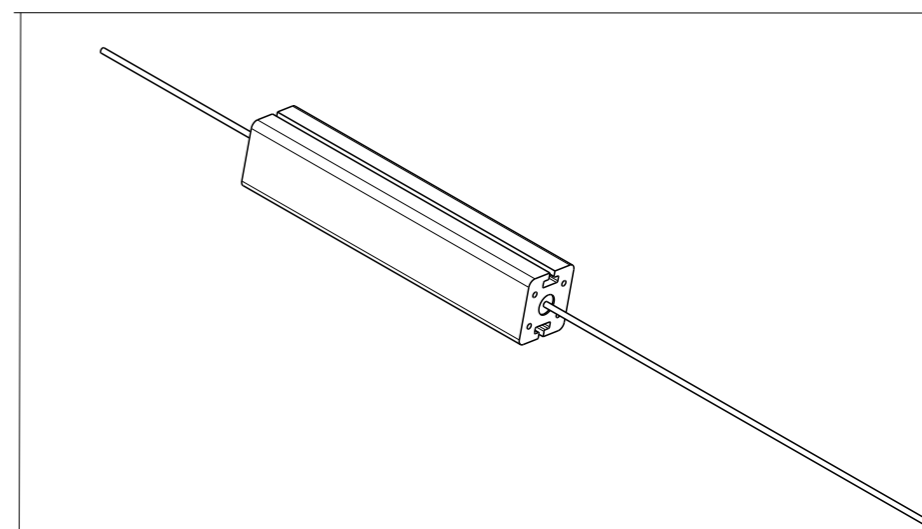
REVISIONS


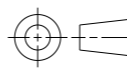
P	LTR	DESCRIPTION	DATE	DWN	APVD
	BA1	ECR-17-011125	01AUG2017	RK	TN

FOR FURTHER INFORMATION SEE DATA SHEET FOR SERIES TYPE SBC(SQUARE CERAMIC), HIGH POWER RESISTORS



RoHS Compliant



THIS DRAWING IS A CONTROLLED DOCUMENT.		DWN	28 JULY 2010	 TE Connectivity
		CHK	28 JULY 2010	
		APVD	28 JULY 2010	
		NAME	STEPHEN.P	
DIMENSIONS:		TOLERANCES UNLESS OTHERWISE SPECIFIED:		HIGH POWER RESISTOR TYPE SBC (SQUARE CERAMIC) SERIES SBCHE11
mm				
		0 PLC ± 0.2 1 PLC ± 0.1 2 PLC \pm 3 PLC \pm 4 PLC \pm ANGLES $\pm 5^\circ$		
MATERIAL		FINISH		
-		-		SIZE A3 CAGE CODE 00779 DRAWING NO C-1623728 RESTRICTED TO -
-		-		WEIGHT 10g CUSTOMER DRAWING SCALE 4:1 SHEET 1 OF 1 REV BA1

Mouser Electronics

Authorized Distributor

Click to View Pricing, Inventory, Delivery & Lifecycle Information:

[TE Connectivity:](#)

[1-1623728-4](#)