

PLEASE CHECK WWW.MOLEX.COM FOR LATEST PART INFORMATION

Part Number: [0521170341](#)
Status: **Active**
Overview: [Mizu Sealed Connectors](#)
Description: Mizu-P25 2.50mm Pitch Waterproof Wire-to-Wire Receptacle Housing, 3 Circuits, Black

Documents:

| | |
|--|---|
| 3D Model | Application Specification AS-52117-001-001 (PDF) |
| Drawing (PDF) | Application Specification AS-52117-001-JP-001 (PDF) |
| 3D Model (PDF) | Packaging Specification 521170000-P00 (PDF) |
| Product Specification PS-52117-007-001 (PDF) | RoHS Certificate of Compliance (PDF) |

Agency Certification

UL E29179

Application tooling part link

Application Tooling Part Link 57131-6000
 Application Tooling Part Link 62202-4400

General

Product Family Crimp Housings
 Series [52117](#)
 Application Signal, Wire-to-Wire
 Overview [Mizu Sealed Connectors](#)
 Product Name Mizu-P25 Waterproof, Splash Proof
 UPC 800753693111

Physical

Circuits (maximum) 3
 Color - Resin Black
 Gender Receptacle
 Glow-Wire Capable No
 Lock to Mating Part Yes
 Material - Resin Polyester
 Net Weight 846.900/mg
 Number of Rows 1
 Packaging Type Tray
 Panel Mount No
 Pitch - Mating Interface 2.50mm
 Stackable No
 Temperature Range - Operating -40° to +105°C

Electrical

Current - Maximum per Contact 3.0A

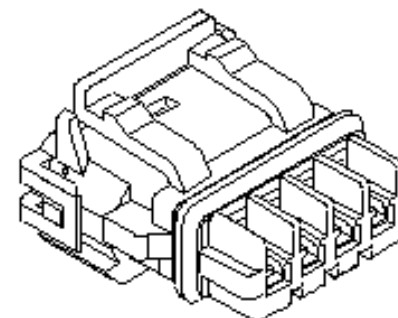
Solder Process Data

Lead-freeProcess Capability N/A

Material Info

Reference - Drawing Numbers

| | |
|---------------------------|---------------------------------------|
| Application Specification | AS-52117-001-001, AS-52117-001-JP-001 |
| Packaging Specification | 521170000-P00 |
| Product Specification | PS-52117-007-001 |
| Sales Drawing | SD-52117-001-001 |



Series image - Reference only

EU ELV

Compliant

EU RoHS

Compliant

REACH SVHC

Not Contained Per -
 D(2020)9139-DC (19
 Jan 2021)

Halogen-Free

Status

Not Low-Halogen

For more information, please visit [Contact US](#)

China ROHS

ELV

RoHS Phthalates

Green Image

Compliant

Not Contained

Search Parts in this Series

[52117 Series](#)

Mates With

[52116 Mizu-P25 2.50mm Pitch Waterproof Wire-to-Wire Plug Housing](#)

Use With

[50039 Mizu-P25 Crimp Terminal](#)

Application Tooling | [FAQ](#)

Tooling specifications and manuals are found by selecting the products below. Crimp Height Specifications are then contained in the Application Tooling Specification document.

Global

| Description | Product # |
|-------------|-----------|
|-------------|-----------|

| | |
|-----------------------|---------------------------|
| Sealing Cap Hand Tool | 622024400 |
|-----------------------|---------------------------|

Japan

| Description | Product # |
|-------------|-----------|
|-------------|-----------|

| | |
|-----------------------------|---------------------------|
| Sealing Cap Attachment Tool | 571316000 |
|-----------------------------|---------------------------|

This document was generated on 02/17/2021

PLEASE CHECK WWW.MOLEX.COM FOR LATEST PART INFORMATION

Mouser Electronics

Authorized Distributor

Click to View Pricing, Inventory, Delivery & Lifecycle Information:

[Molex:](#)

[52117-0341](#)