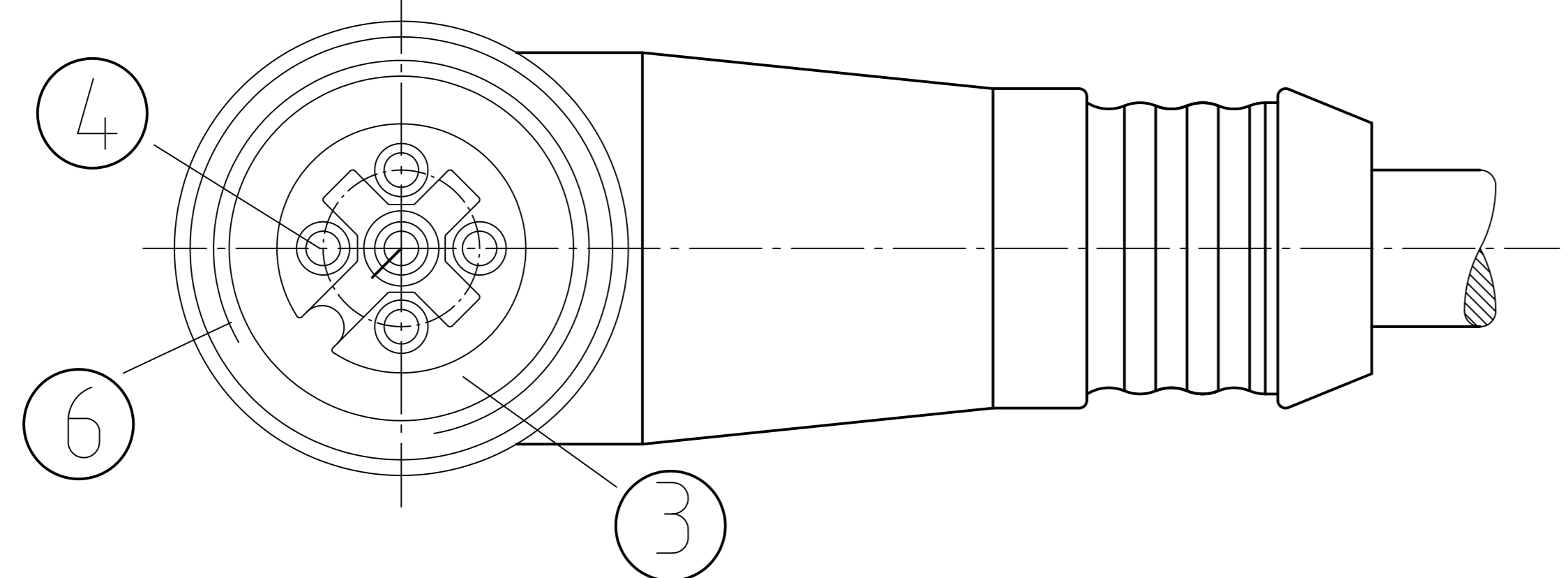
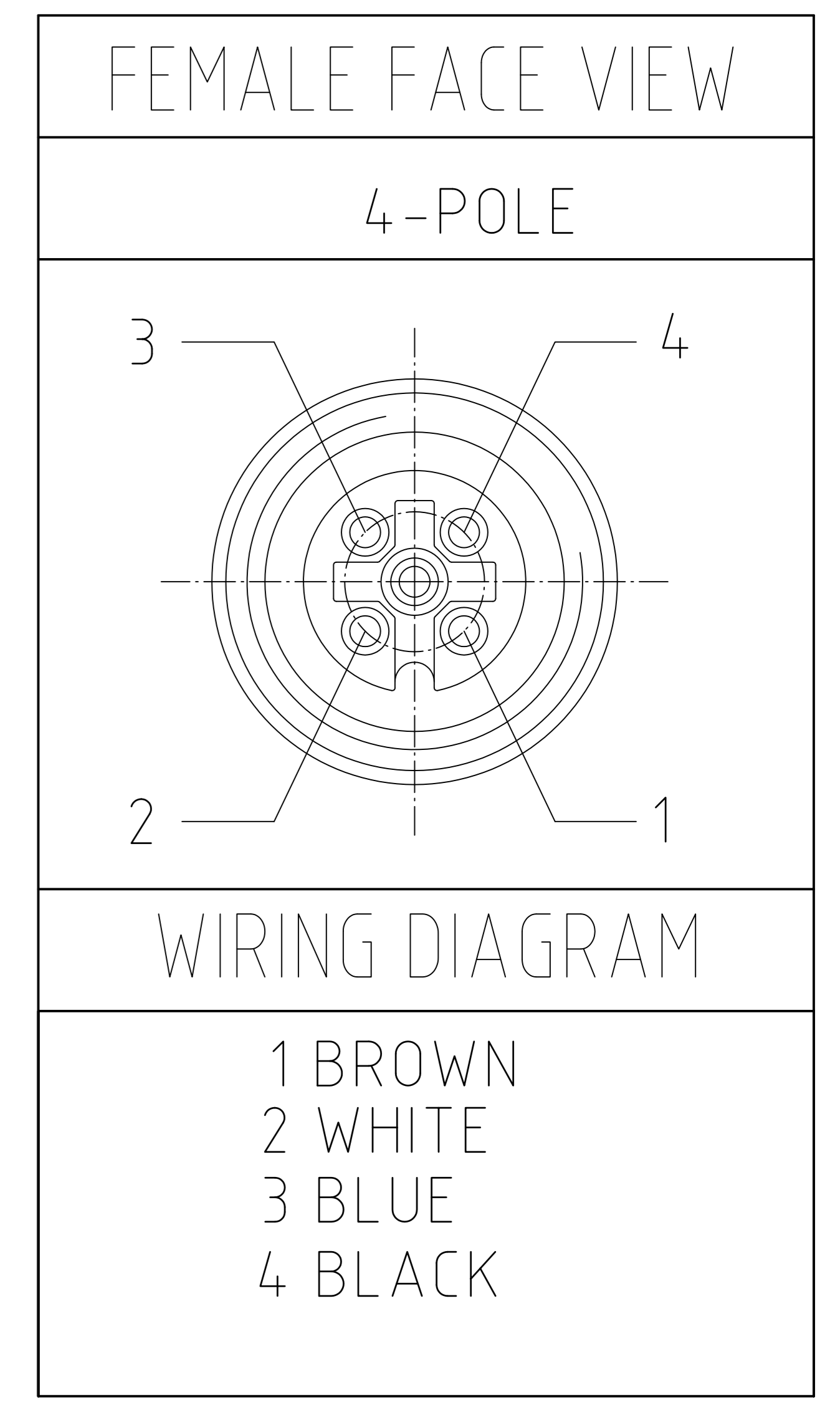
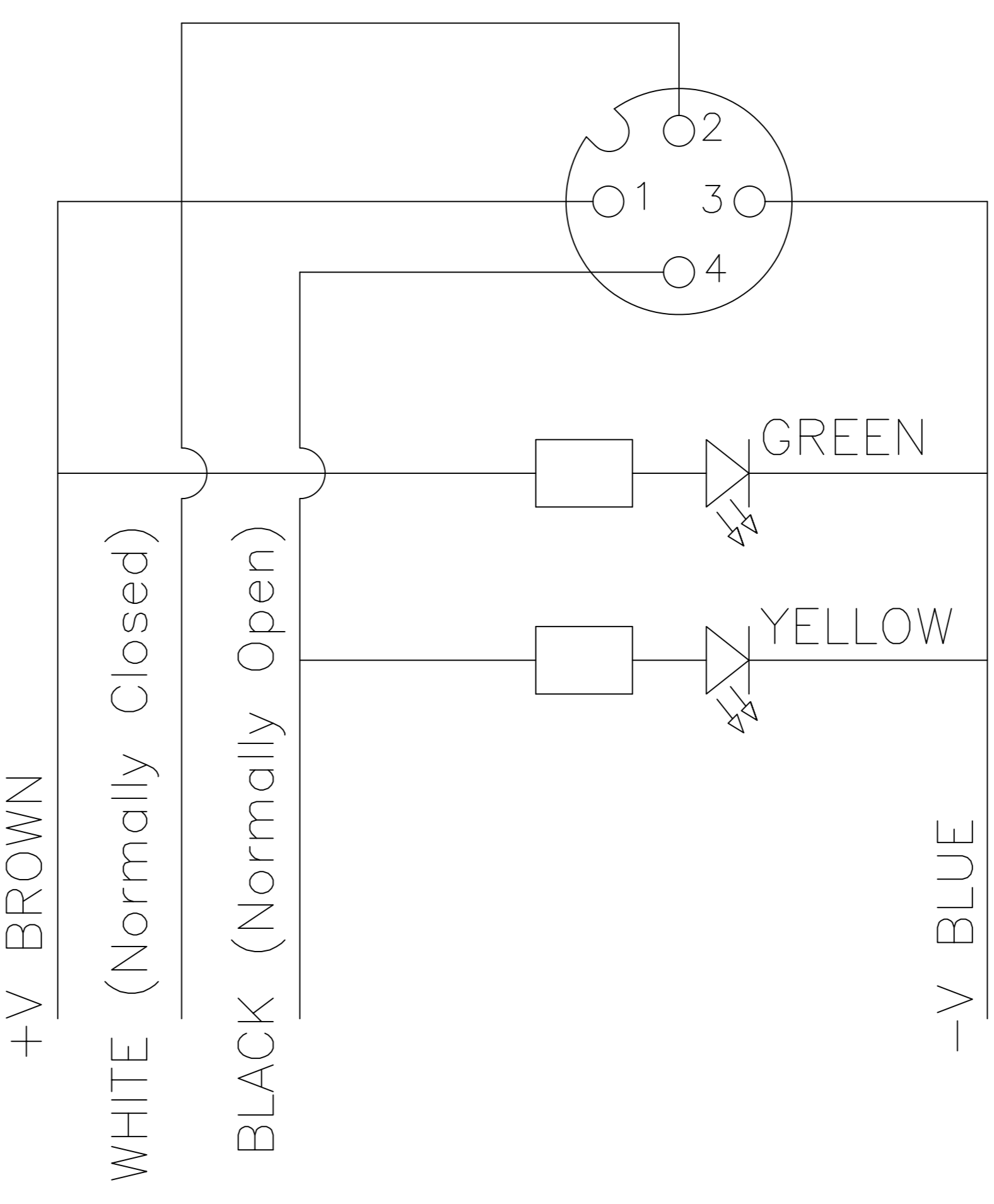


POL	MATERIAL NUMBER	ENGINEERING NUMBER	FINISHED LENGTH
4	1200060618	8040P1P03M020	6.56' +3.5" -0 [2.0M +89 -0]



CONNECTOR SPECIFICATION:

VOLTAGE RATING	250 VAC/VDC
AMPERAGE RATING	max. 4 AMPS
PROTECTION	IP67
OPERATING TEMPERATURE	-20°C TO 80°C



ITEM	COMPONENT	MATERIAL	FINISH
9	LED		GREEN
8	LED		YELLOW
7	LABLE	MYLAR	BLACK/YELLOW
6	O-RING	VITON	RED
5	COUPLER	BRASS	NICKEL PLATED
4	PIN CONTACT	COPPER ALLOY	GOLD OVER NICKEL
3	INSERT	PUR	BLACK
2	OVERMOLD	POLYURETHANE (PUR)	TRANSP.
1	CABLE- 22/3-5 (COPPER STRANDING) 3/4/5 CONDUCT. 300V	JACKET: PUR	BLACK

DESCRIPTION EC NO: WEU2010-0288 DRWN: LSTEMMLE 2010/01/22 CHKD: NS APPR: NSTAUDIG 2010/01/29	QUALITY SYMBOLS ▽ = 0 ∇ = 0	GENERAL TOLERANCES (UNLESS SPECIFIED) <table border="1"> <thead> <tr> <th></th> <th>mm</th> <th>INCH</th> </tr> </thead> <tbody> <tr> <td>4 PLACES</td> <td>±---</td> <td>±---</td> </tr> <tr> <td>3 PLACES</td> <td>±---</td> <td>±---</td> </tr> <tr> <td>2 PLACES</td> <td>±---</td> <td>±.01</td> </tr> <tr> <td>1 PLACE</td> <td>±0.3</td> <td>±---</td> </tr> <tr> <td colspan="3">ANGULAR ± --- °</td> </tr> </tbody> </table>		mm	INCH	4 PLACES	±---	±---	3 PLACES	±---	±---	2 PLACES	±---	±.01	1 PLACE	±0.3	±---	ANGULAR ± --- °			DIMENSION STYLE IN/MM DRAWN BY DATE LSTEMMLE 2010/01/22 CHECKED BY DATE RE 2010/01/22 APPROVED BY DATE NSTAUDIG 2010/01/29 MATERIAL NO.	SCALE 2:1 DESIGN UNITS METRIC THIRD ANGLE PROJECTION	MICRO-CHANGE CORDSET 4-POL FE 90 SE LED 22/4 BLACK PUR CABLE MOLEX INCORPORATED DOCUMENT NO. SD-120067-002 SHEET NO. 1 OF 1
		mm	INCH																				
4 PLACES	±---	±---																					
3 PLACES	±---	±---																					
2 PLACES	±---	±.01																					
1 PLACE	±0.3	±---																					
ANGULAR ± --- °																							
1	DRAFT WHERE APPLICABLE MUST REMAIN WITHIN DIMENSIONS	SEE TABLE SIZE A3 THIS DRAWING CONTAINS INFORMATION THAT IS PROPRIETARY TO MOLEX INCORPORATED AND SHOULD NOT BE USED WITHOUT WRITTEN PERMISSION																					