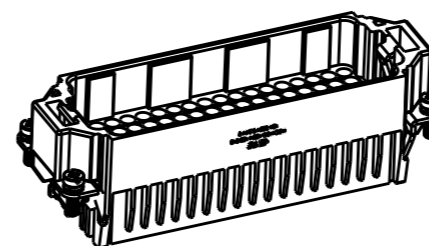
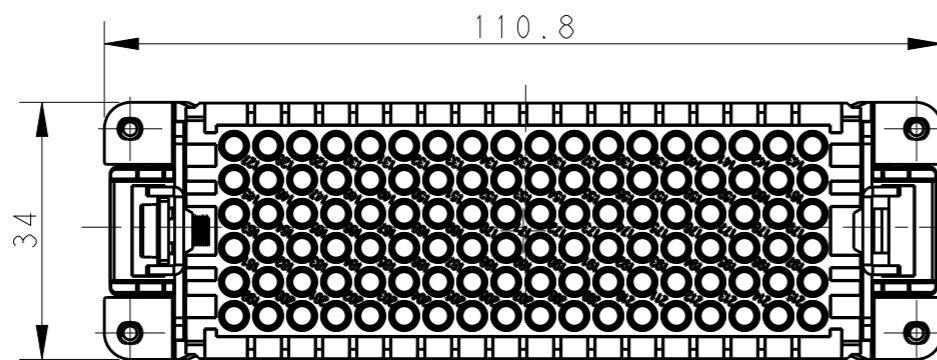


REVISIONS

P	LTR	DESCRIPTION	DATE	DWN	APVD
	A	INITIAL RELEASE	23AUG2017	YC	CW



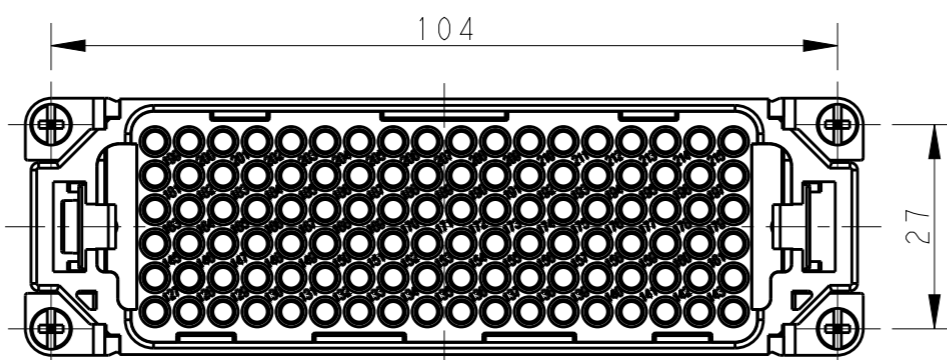
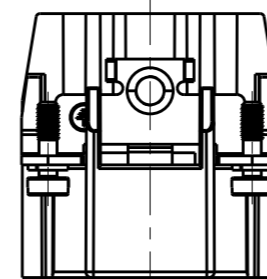
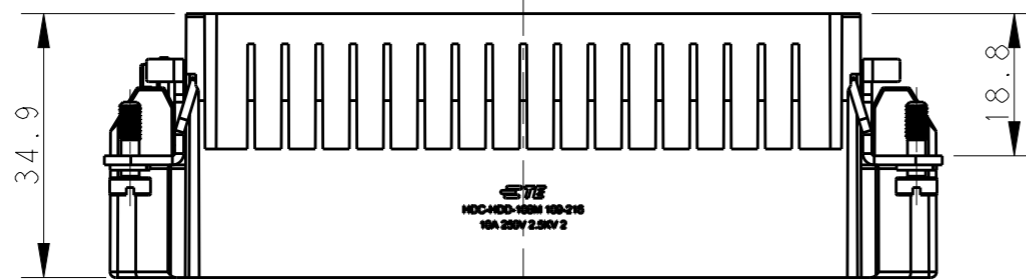
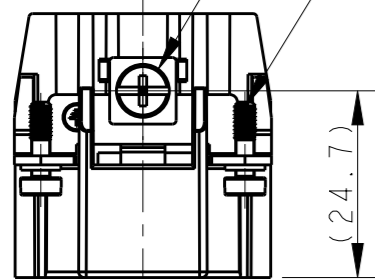
SCALE 1:2

NOTES:

- TECHNICAL CHARACTERISTICS:
 INSULATION MATERIAL: PC
 RATED VOLTAGE: 250 V
 RATED CURRENT: 10 A
 INSULATION RESISTANCE: $\geq 400M\Omega$
 RATED IMPULSE VOLTAGE: 2.5 KV
 POLLUTION DEGREE: 2
 FLAMMABILITY: UL94V-0
 MATING CYCLES: 500 CYCLES
 WIRE RANGE: 0.14-2.5 mm² (26-14 AWG)
 CONTACT TYPE: CRIMP CONTACT
- CONTACT NEED TO BE ORDERED SEPARATELY.
 (ORDER No. REFER TO DRAWING:T20200X10XX000)

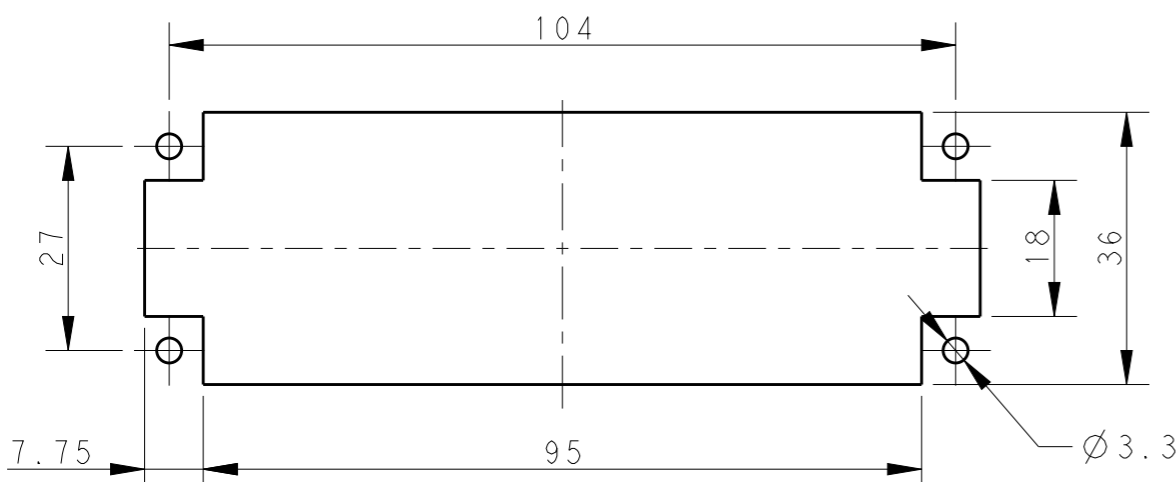
M4 SCREW
 RECOMMENDED TIGHTENING TORQUE 1.2N.m
 M4螺丝, 推荐拧紧力矩 1.2N.m

4X M3 SCREW
 RECOMMENDED TIGHTENING TORQUE 0.5N.m
 4X M3螺丝, 推荐拧紧力矩 0.5N.m




注释:

- 技术参数:
 绝缘材料: PC
 额定电压: 250V
 额定电流: 10A
 绝缘电阻: $\geq 400M\Omega$
 额定脉冲电压: 2.5 KV
 污染等级: 2
 阻燃等级: UL94V-0
 插拔次数: 500次
 接线范围: 0.14-2.5 mm² (26-14 AWG)
 接线类型: 冷压接
- 端子需要单独订购。
 (订货号参考图面: T20200X10XX000)



PANEL CUT OUT FOR INSERTS FOR USING
 WITHOUT HOODS/HOUSINGS
 不使用防护外壳时平面开孔尺寸

T2032162101-007	HDD-108-M 109-216	HDD-108 MALE INSERT 109-216 HDD-108 公插 109-216
PART NUMBER 料号	PART DESCRIPTION 产品描述	

THIS DRAWING IS A CONTROLLED DOCUMENT.		DWN 23AUG2017 YORK CHEN	 TE Connectivity	
DIMENSIONS: mm		CHK 23AUG2017 GINO YAO		
TOLERANCES UNLESS OTHERWISE SPECIFIED:		APVD 23AUG2017 CHRIS WANG	NAME HDD-108-M 109-216	
0 PLC ±-		PRODUCT SPEC 108-137043	SIZE	
1 PLC ±-		APPLICATION SPEC 114-137043	CAGE CODE	
2 PLC ±-		WEIGHT	DRAWING NO	
3 PLC ±-		CUSTOMER DRAWING	RESTRICTED TO	
4 PLC ±-			SCALE 1:1	
ANGLES ±-			SHEET 1 OF 1	
FINISH			REV A	