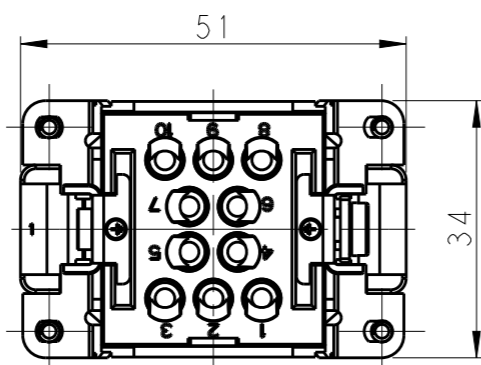
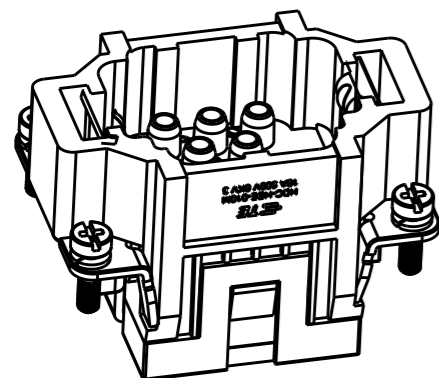


REVISIONS

P	LTR	DESCRIPTION	DATE	DWN	APVD
	A	INITIAL RELEASE	06SEP2017	YC	CW



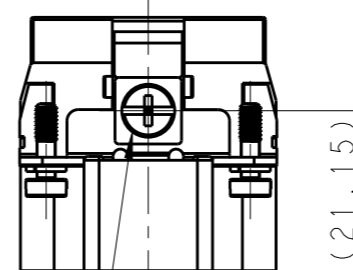
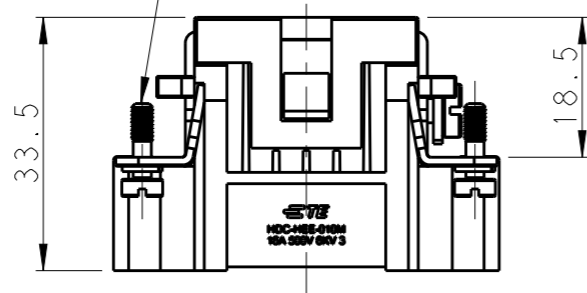
NOTES:

- TECHNICAL CHARACTERISTICS:
 INSULATION MATERIAL: PC
 RATED VOLTAGE: 500V
 RATED CURRENT: 16A
 INSULATION RESISTANCE: $\geq 400M\Omega$
 RATED IMPULSE VOLTAGE: 6KV
 POLLUTION DEGREE: 3
 FLAMMABILITY: UL94V-0
 MATING CYCLES: 500 CYCLES
 WIRE RANGE: 0.14-4 mm² (26-12 AWG)
 CONTACT TYPE: CRIMP CONTACT
- CONTACT NEED TO BE ORDERED SEPARATELY.
 (ORDER No. T20300X10XX-000)

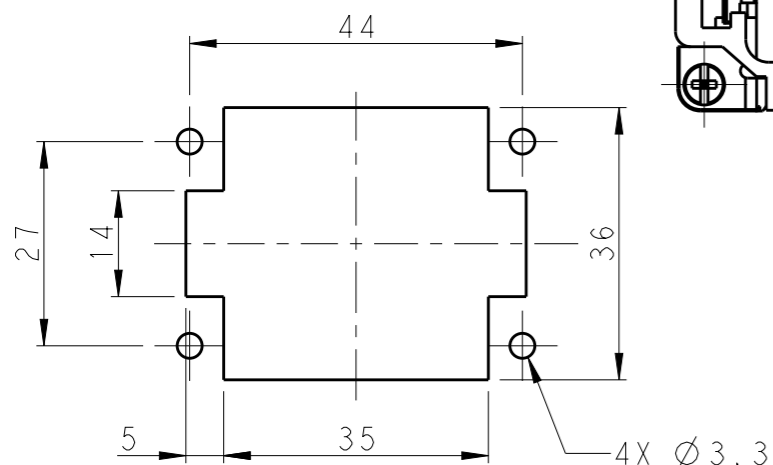
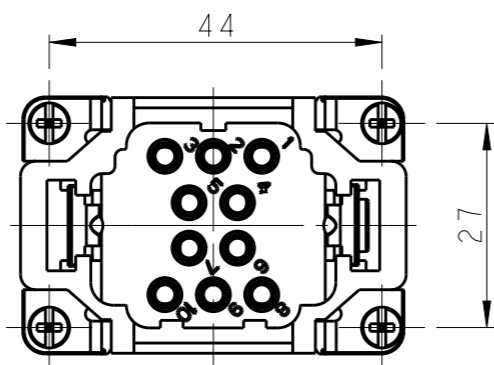
注释:

- 技术参数:
 绝缘材料: PC
 额定电压: 500V
 额定电流: 16A
 绝缘电阻: $\geq 400M\Omega$
 额定脉冲电压: 6KV
 污染等级: 3
 阻燃等级: UL94V-0
 插拔次数: 500次
 接线范围: 0.14-4 mm² (26-12 AWG)
 接线类型: 冷压接
- 端子需要单独订购。
 (订货号 T20300X10XX-000)

4X M3 SCREW, RECOMMENDED
TIGHTENING TORQUE 0.5N.m
4X M3螺丝, 推荐锁紧力矩0.5N.m




M4 SCREW, RECOMMENDED
TIGHTENING TORQUE 1.2N.m
M4螺丝, 推荐锁紧力矩1.2N.m



PANEL CUT FOR INSERTS FOR USING
WITHOUT HOODS/ HOUSINGS
不使用防护外壳时芯件的安装开孔图

T2050102101-007	HEE-010-M	HEE-010 MALE INSERT HEE-010 公插
PART NUMBER 料号	PART DESCRIPTION 描述	

THIS DRAWING IS A CONTROLLED DOCUMENT.		DWN 06SEP2017 YORK CHEN	 TE Connectivity	
DIMENSIONS: mm		CHK 06SEP2017 GINO YAO		
TOLERANCES UNLESS OTHERWISE SPECIFIED:		APVD 06SEP2017 CHRIS WANG	NAME HEE-010-M	
0 PLC ±-		PRODUCT SPEC 108-106137	SIZE	
1 PLC ±-		APPLICATION SPEC 114-106137	CAGE CODE A300779	DRAWING NO T2050102101007
2 PLC ±-		MATERIAL	RESTRICTED TO	
3 PLC ±-		FINISH	-	
4 PLC ±-		WEIGHT	-	
ANGLES ±-		CUSTOMER DRAWING	SCALE 1:1	SHEET 1 OF 1
-			REV A	